

Copyright FCI

FCIconnect.com

FCI

A

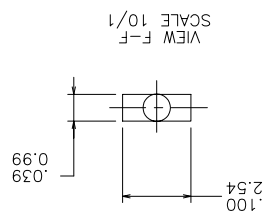
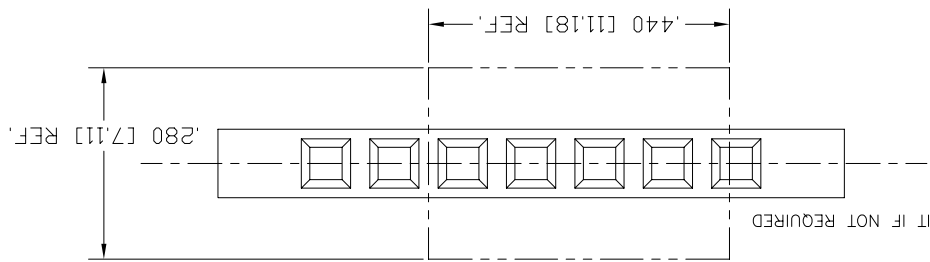
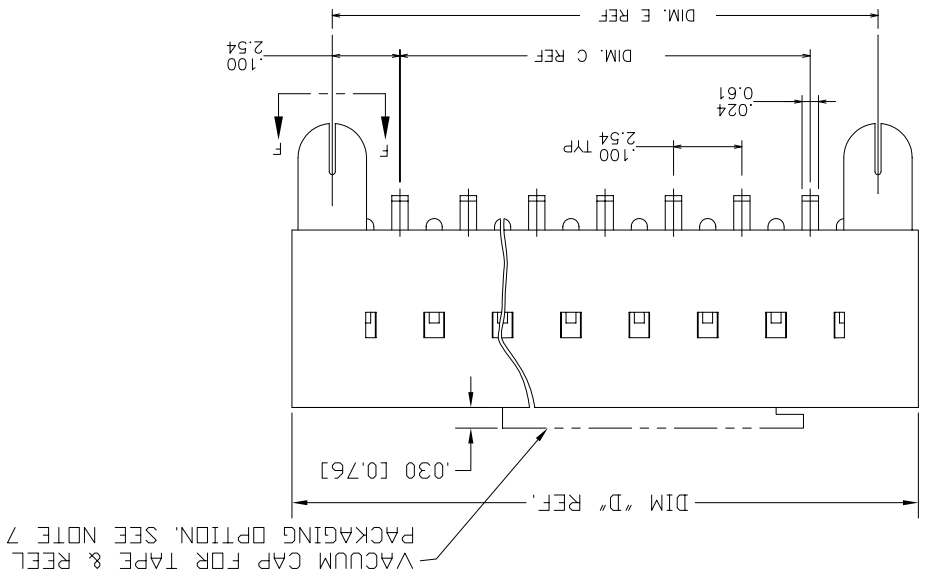
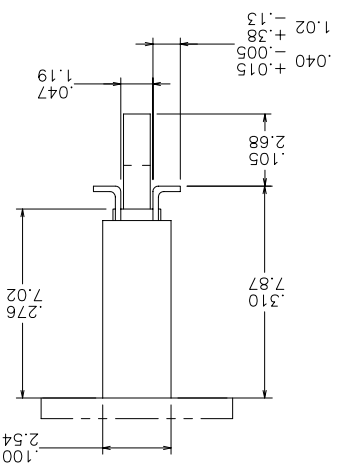
B

C

D

PRODUCT NUMBER
68617-XXX-LF

- LEAD FREE OPTION
- PACKAGING OPTION NOTE 10. OMIT IF NOT REQUIRED
- NO OF POSITIONS PER ROW
- PLATING CODE
- BASE PART NUMBER



mat'l. code	ISO 406	ISO 1101	ISO 1302	surface	tolerance	projection	product family	DUBOX
tr	ecn no	dr	date	tolerances unless otherwise specified	INCH/MM	title	SMT SINGLE ROW	LATCHED VCC ASSEMBLY
R	V20732	GIP	04/17/02	xxx ±.01/.03	scale 1:1	product Customer Drawing	68617	sheet 1 of 5 size
S	V21654	GIP	10/15/02	xxxx ±.002/0.051	type	Product Customer Drawing	68617	sheet 1 of 5 size
T	V03-0309	HTB	04/28/03	0±.2	type	Product Customer Drawing	68617	sheet 1 of 5 size
U	V05-0463	DPU	06/28/05		type	Product Customer Drawing	68617	sheet 1 of 5 size
V	M06-0237	MN	06/17/06		type	Product Customer Drawing	68617	sheet 1 of 5 size
W	M06-0433	AGS	10/31/06		type	Product Customer Drawing	68617	sheet 1 of 5 size
X	M07-0198	MHT	4/24/07		type	Product Customer Drawing	68617	sheet 1 of 5 size
sheet	revision	sheet	revision	sheet	revision	sheet	revision	sheet
1	X	1	X	1	X	1	X	1
2	X	2	X	2	X	2	X	2
3	X	3	X	3	X	3	X	3
4	X	4	X	4	X	4	X	4
5	X	5	X	5	X	5	X	5
6	X	6	X	6	X	6	X	6

PRODUCT NO.
SEE TABLE

NOTES:

- ① TERMINAL MATERIAL: PHOSPHOR BRONZE.
- 2. RECOMMENDED APPLICATION DATA:

- A. RECOMMENDED SOLDER PAD PATTERN IS SHOWN IN FIG. A & B.
- B. ALL MATING PINS TO BE .025/-.64 SQUARE ON TRUE CENTER OF GIVEN TERMINAL SPACING WITHIN .015/0.38 DIA.
- C. SUGGESTED MATING PIN LENGTH .210 ±.020/5.33±0.51.
- ③ HOUSING MATERIAL: FILLED P.P.S. COLOR: BLACK.
FLAME RETARDANT PER UL-94V-0.
COMPATIBLE WITH INFRA-RED SOLDERING.
- THIS PART WILL WITHSTAND EXPOSURES TO 260°C
PEAK TEMPERATURE FOR 20 SECONDS IN WAVE SOLDER.
INFRA-RED OR VAPOR PHASE SOLDER PROCESS.
- ④ PRESTAMPED POST PLATED TERMINALS.
- ⑤ FCI, FCI FINAL PART NUMBER AND DATE CODE
TO BE MARKED ON TUBE LABEL.
- 6. STANDARD PACKAGING PER BUS-14-097.
- ⑦ TAPES AND REEL PACKAGING PER GES-14-334.
- ⑧ TAPES AND REEL PACKAGING FOR 24mm WIDTH AND LESS WILL HAVE ONE
PILOT HOLE ON TAPE, ABOVE 24mm WIDTH TAPE WILL HAVE PILOT HOLES
ON BOTH SIDES.
- ⑨ VACUUM CAP MATERIAL: LCP
FLAME RETARDANT PER UL 94V-0.
VACUUM CAP P/N 71738-001.
COLOR: BLACK

- ⑩ ADD SUFFIX "P" TO PART DASH NUMBER FOR TAPE & REEL PACKAGING.
EXAMPLE: 68617-XXXXP
- ⑪ TAPE & REEL PACKAGING 44mm WIDE TAPE WITH 20mm POCKET PITCH.
- ⑫ TAPE & REEL PACKAGING 56mm WIDE TAPE WITH 20mm POCKET PITCH.
- ⑬ ADD LF SUFFIX AT THE END OF PART NUMBER FOR LEAD FREE OPTION.
- 14. THIS PRODUCT MEETS EUROPEAN UNION DIRECTIVES AND OTHER COUNTRY
REGULATION AS DESCRIBED IN GS-22-008.
- ⑮ PLATING OPTIONS:
MAY BE EITHER GOLD OR GXT PLATED AT MANUFACTURER'S OPTION.

mat'l. code
SEE NOTES 1, 3 & 8
ISO 1302 V
surface tolerance unless otherwise specified
ISO 406
ISO 1101

lit	ecn no	dr	date
X			
angles	indeg	0±.2°	
.xx ±.01/0.3	xxx ±.005/0.13	xxxx ±.0020/0.051	
INCH/MM	scale 1:1		
projection			

sheet	revision	index	sheet

ppd	M. HAHN	10/07/90
chr	M. HAHN	10/07/90
engr	M. HAHN	10/07/90
dr	J. SHREINER	10/07/90

type	Product Customer Drawing
dwg no	68617
sheet 2 of 5 size	A3



product family
DUBOX

SMT SINGLE ROW
LATCHED VCC ASSEMBLY

product family
DUBOX

product family
DUBOX

product family
DUBOX

product family
DUBOX

product family
DUBOX

product family
DUBOX

product family
DUBOX

product family
DUBOX

product family
DUBOX

product family
DUBOX

product family
DUBOX

product family
DUBOX

product family
DUBOX

product family
DUBOX

product family
DUBOX

product family
DUBOX

product family
DUBOX

product family
DUBOX

product family
DUBOX

product family
DUBOX

product family
DUBOX

product family
DUBOX

product family
DUBOX

product family
DUBOX

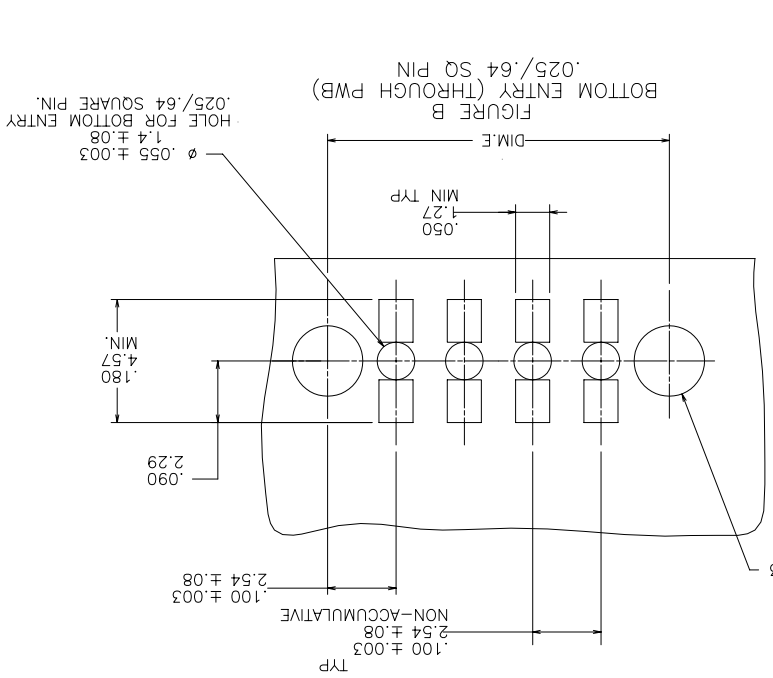
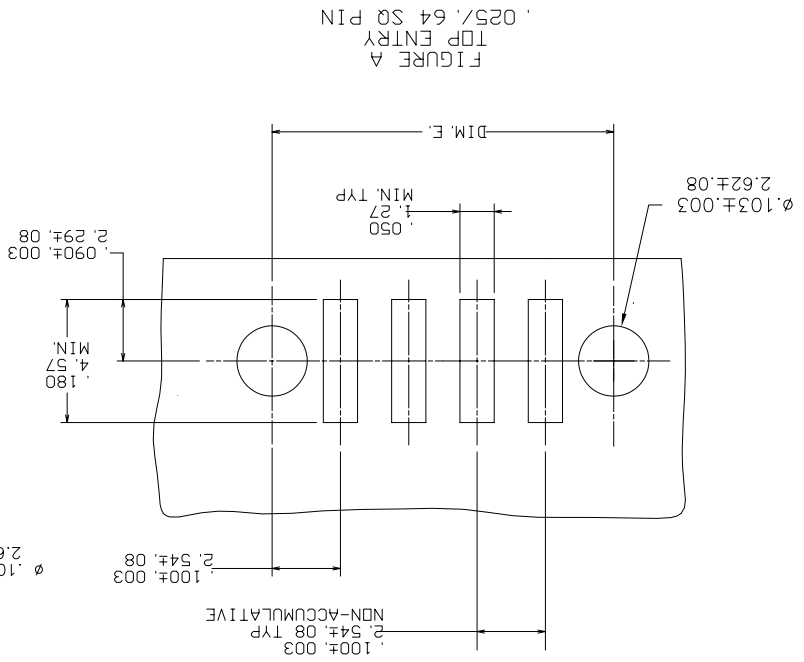
product family
DUBOX

product family
DUBOX

product family
DUBOX

PRODUCT NO	NOTE 13	PLATING CONTACT AREA	PLATING SOLDER TAIL	MATERIAL REF.
68617-2XX	15u"/.38u Au OR GXT MIN OVER 50u"/1.27u NI MIN	100u"/160u" SN	2.54u"/4.06u"	NOTE 3 & 4
68617-3XX	30u"/.76u Au OR GXT MIN OVER 50u"/1.27u NI MIN	100u"/160u" SN	2.54u"/4.06u"	NOTE 3 & 4
68617-6XX	30u"/.76u Au OR GXT MIN OVER 50u"/1.27u NI MIN	100u"/160u" SN	2.54u"/4.06u"	NOTE 3 & 4
68617-8XX	30u"/.76u Au MIN OVER 50u"/1.27u NI MIN	100u"/160u" SN	2.54u"/4.06u"	NOTE 3 & 4

OBSOLETE



mat'l. code	ISO 1302	ISO 1101	ISO 406	projection	product family	DUBOX
tr	ecn no	dr	date	tolerances unless otherwise specified	title	SMT SINGLE ROW LATCHED VCC ASSEMBLY
X				xx ±.01/.03	INCH/MM	
	angles	linear	xxxx ±.005/.013	scale 1:1	dwg no	68617
				0±.2	sheet	3
					revision	
					sheet	4
					index	
					sheet	5
					type	Product Customer Drawing
					dr	J. SHREINER 10/07/90
					engr	M. HAHN 10/07/90
					chr	M. HAHN 10/07/90
					ppd	M. HAHN 10/07/90

6 5 4 3 2 1 A B C D



Copyright FCI



FCIconnect.com



B

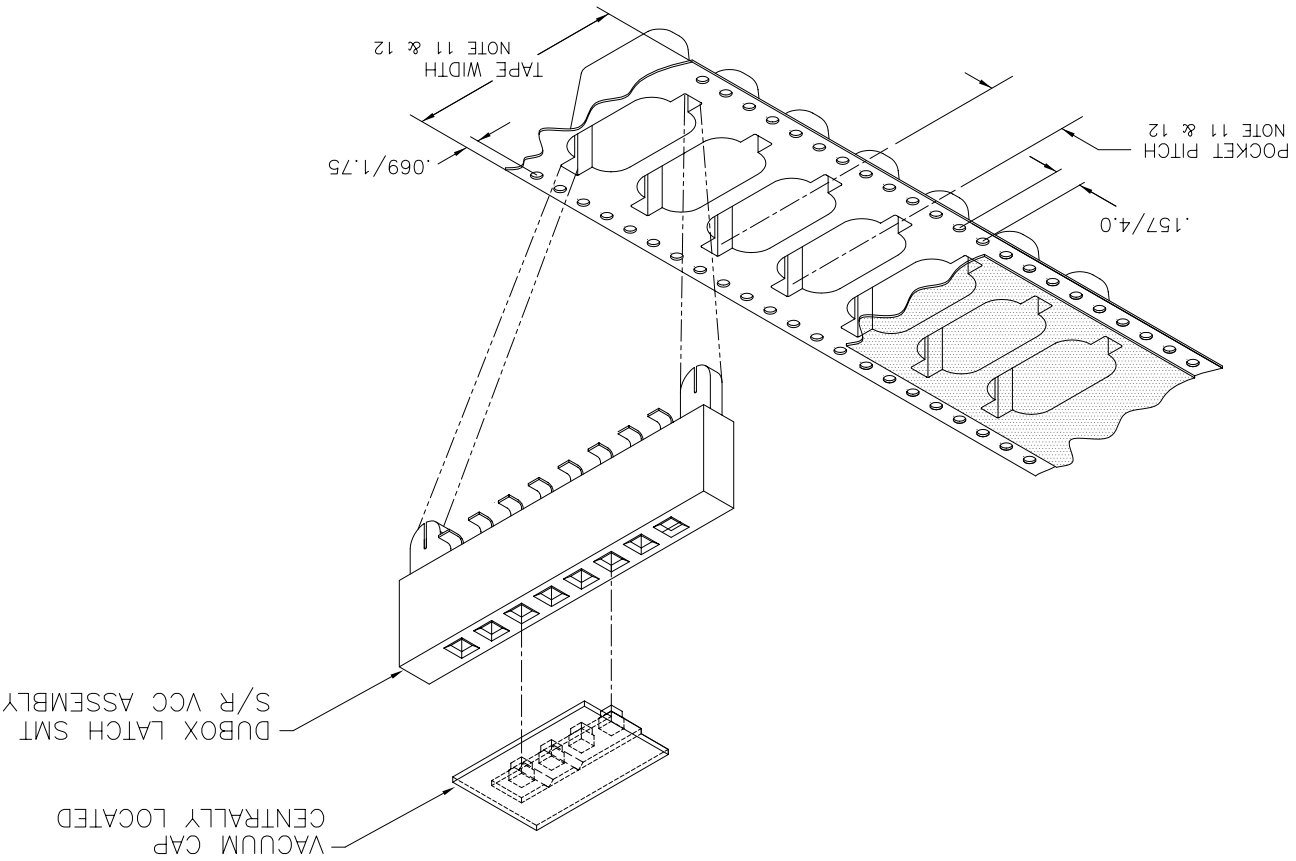
A

A

B

PRODUCT NO.
SEE TABLE

TAPE AND REEL PACKAGING ONLY



mat'l. code	-	surface	ISO 1302	tolerance	ISO 406	ISO 1101	projection	product family	DUBOX
itr	ecn no	dr	date	tolerances unless otherwise specified	xx ±.01/0.3	inogr	xxx ±.005/0.13	scale 1:1	SMT SINGLE ROW
angles	0°±.2'	dr	J. SHREINER 10/07/90	inogr	xxxx ±.0020/0.051	INCH/MM	LATCHED VCC ASSEMBLY	title	
engr	M. HAHN 10/07/90	enr	M. HAHN 10/07/90	dr	J. SHREINER 10/07/90		type	Product Customer Drawing	
chr	M. HAHN 10/07/90	ppd	M. HAHN 10/07/90				type	Product Customer Drawing	
sheet	revision	sheet	revision				type	Product Customer Drawing	
							type	Product Customer Drawing	

6

D

C

B

A

6

3

2

1

5

4

5

4

2

1

PRODUCT NO	NO. OF POS.	DIM C	DIM D	DIM E	TAPE & REEL PACKAGING	OPTION LF
68617-Y02	1 X 2	1.00/2.54	.417/10.59	.500/7.62		
-Y03	1 X 3	.200/5.08	.517/13.13	.400/10.16		
-Y04	1 X 4	.300/7.62	.617/15.67	.500/12.70		
-Y05	1 X 5	.400/10.16	.717/18.21	.600/15.24		
-Y06	1 X 6	.500/12.70	.817/20.75	.700/17.78		
-Y07	1 X 7	.600/15.24	.917/23.29	.800/20.32		
-Y08	1 X 8	.700/17.78	1.017/25.83	.900/22.86		
-Y09	1 X 9	.800/20.32	1.117/28.37	1.000/25.40		
-Y10	1 X 10	.900/22.86	1.217/30.91	1.100/27.94		
-Y11	1 X 11	1.000/25.40	1.317/33.45	1.200/30.48		
-Y12	1 X 12	1.100/27.94	1.417/35.99	1.300/33.02		
-Y13	1 X 13	1.200/30.48	1.517/38.53	1.400/35.56		
-Y14	1 X 14	1.300/33.02	1.617/41.07	1.500/38.10		
-Y15	1 X 15	1.400/35.56	1.717/43.61	1.600/40.64		
-Y16	1 X 16	1.500/38.10	1.817/46.15	1.700/43.18		
-Y17	1 X 17	1.600/40.64	1.917/48.69	1.800/45.72		
-Y18	1 X 18	1.700/43.18	2.017/51.23	1.900/48.26		
-Y19	1 X 19	1.800/45.72	2.117/53.77	2.000/50.80		
-Y20	1 X 20	1.900/48.26	2.217/56.31	2.100/53.34		
-Y21	1 X 21	2.000/50.80	2.317/58.85	2.200/55.08		
-Y22	1 X 22	2.100/53.34	2.417/61.39	2.300/58.42		
-Y23	1 X 23	2.200/55.88	2.517/63.93	2.400/60.96		
-Y24	1 X 24	2.300/58.42	2.617/66.47	2.500/63.50		
-Y25	1 X 25	2.400/60.96	2.717/69.01	2.600/66.04		
-Y26 THRU -Y50						
-Y07P	1 X 7	.600/15.24	.917/23.29	.800/20.32		YES
-Y08P	1 X 8	0.700/17.78	1.017/25.83	0.900/22.86		YES
-Y09P	1 X 9	.800/20.32	1.117/28.37	1.000/25.40		YES
68617-Y12P	1 X 12	1.100/27.94	1.417/35.99	1.300/33.02		YES

NOTE 13

OBsolete

NOTE 10 & 11

NOTE 10 & 11

mat'l. code	ISO 1302	surface	ISO 1302	tolerance	ISO 406 ISO 1101	projection	product family	DUBOX
itr	ecn no	dr	date	tolerances unless otherwise specified	xx ±.01/0.3			
X		angles	indeg	xxx ±.005/0.13				
		0°±.2'		xxxx ±.0020/0.051				
		dr	J. SHREINER	10/07/90				
		engr	M. HAHN	10/07/90				
		chr	M. HAHN	10/07/90				
		pppd	M. HAHN	10/07/90				
sheet	revision	index	sheet					

title	SMT SINGLE ROW	scale	1:1	dwg no	68617	type	Product Customer Drawing
product family	DUBOX	projection		sheets of 5 size	A3		

6

5

4

3

2

1

6

5

4

3

2

1

A

B

C

D

X-ON Electronics

Largest Supplier of Electrical and Electronic Components

Click to view similar products for [Headers & Wire Housings](#) category:

Click to view products by [FCT Electronics](#) manufacturer:

Other Similar products are found below :

[95000-104TRLF](#) [10135584-644402LF](#) [DF62W-EP2022PCA](#) [95000-106TRLF](#) [DF62W-2022SCA](#) [DF62W-EP2022PC](#) [2203348](#) [DF62W-2022SC](#) [1084018](#) [1029039](#) [1084017](#) [802-10-012-10-002000](#) [1112640](#) [1112639](#) [891-007-9SS-BST1T](#) [000-34000](#) [0008550134](#) [0009482033](#) [0009507031](#) [57102-F02-18ULF](#) [57102-S06-03LF](#) [57202-S52-04LF](#) [PCN6-15S-2.5E](#) [0039019024](#) [58102-G61-06LF](#) [582553-1](#) [0009485154](#) [0009508121](#) [0022285053](#) [0050291907](#) [018731A](#) [LY20-4P-DT1-P1E-BR](#) [02.125.8002.8](#) [60101931](#) [60598-1 \(Cut Strip\)](#) [M1625-3R/100](#) [61062-3](#) [61082-181009](#) [CSU011177004](#) [636-1427](#) [638009-1](#) [641938-9](#) [641991-4](#) [644168-1](#) [644827-2](#) [647662-1](#) [65039-019ELF](#) [65692-001LF](#) [65781-018](#) [65781-047](#)