

AC centrifugal fan

forward curved, single inlet

with housing (flange)

ebm-papst Mulfingen GmbH & Co. KG

Bachmühle 2 · D-74673 Mulfingen

Phone +49 7938 81-0

Fax +49 7938 81-110

info1@de.ebmpapst.com

www.ebmpapst.com

Limited partnership · Headquarters Mulfingen
County court Stuttgart · HRA 590344General partner Elektrobau Mulfingen GmbH · Headquarters Mulfingen
County court Stuttgart · HRB 590142

Nominal data

Type	G2D180-BD18-11		
Motor	M2D068-EC		
Phase		3~	3~
Nominal voltage	VAC	400	400
Connection		Y	Y
Frequency	Hz	50	60
Type of data definition		ml	ml
Valid for approval / standard		CE	CE
Speed	min ⁻¹	2650	2950
Power input	W	305	430
Current draw	A	0.62	0.68
Min. back pressure	Pa	700	840
Min. ambient temperature	°C	-25	-25
Max. ambient temperature	°C	50	60

ml = max. load · me = max. efficiency · fa = running at free air · cs = customer specs · cu = customer unit
Subject to alterations

Data according to ErP directive

		Actual	Request 2013	Request 2015
Installation category	A			
Efficiency category	Static			
Variable speed drive	No			
Specific ratio*	1.01			
Overall efficiency η_{es}		32.5	27.4	34.4
Efficiency grade N		42.1	37	44
Power input P_e	kW	0.3		
Air flow q_v	m ³ /h	505		
Pressure increase p_{fs}	Pa	701		
Speed n	min ⁻¹	2670		

Data established at point of optimum efficiency



AC centrifugal fan

forward curved, single inlet

with housing (flange)

Technical features

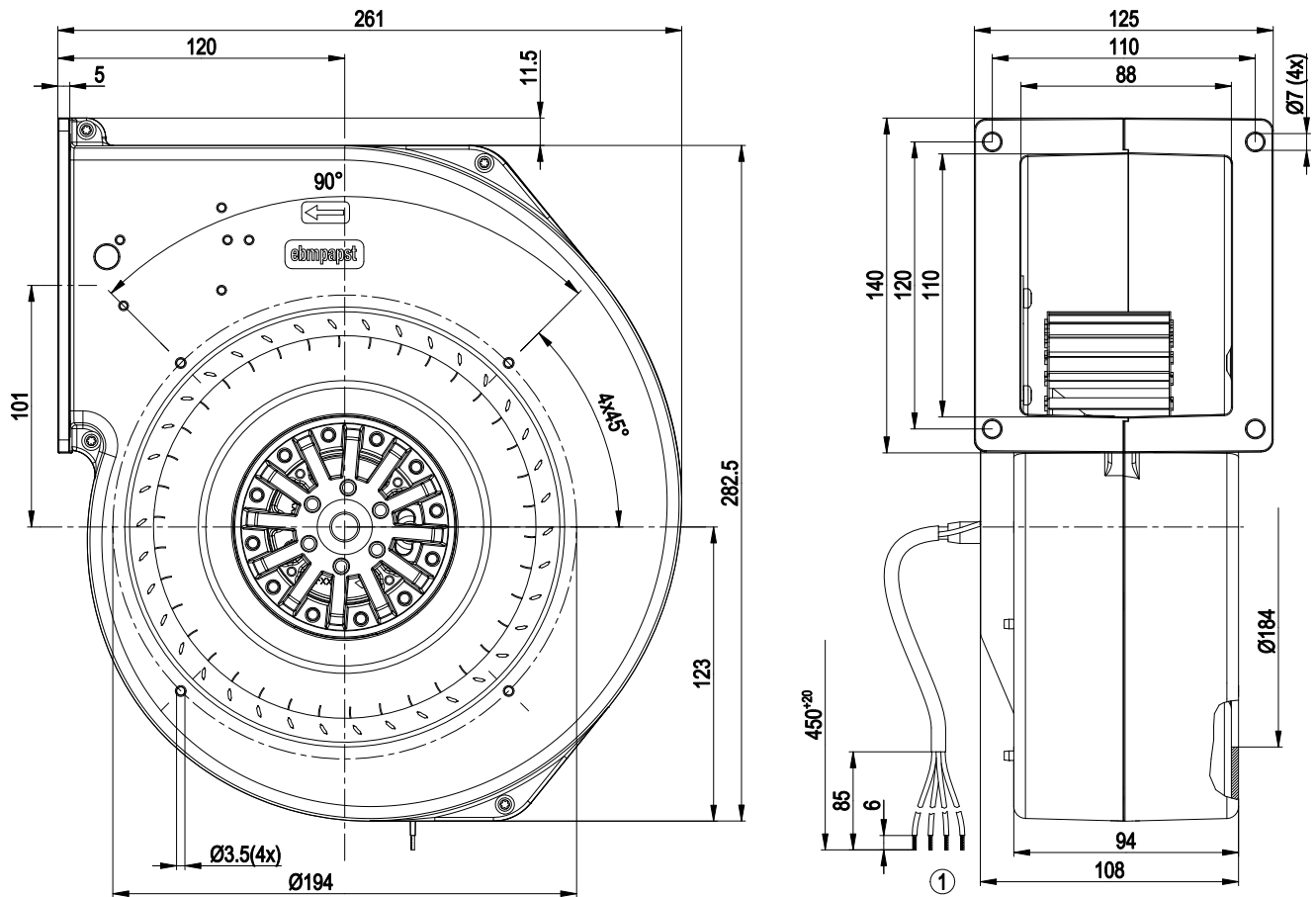
Mass	4.1 kg
Size	180 mm
Surface of rotor	Uncoated
Material of impeller	Sheet steel, galvanised
Housing material	Die-cast aluminium
Direction of rotation	Counter-clockwise, seen on rotor
Type of protection	IP 00
Insulation class	"F"
Humidity class	F1-1
Max. permissible ambient motor temp. (transp./ storage)	+ 80 °C
Min. permissible ambient motor temp. (transp./storage)	- 40 °C
Mounting position	Any
Condensate discharge holes	None, open rotor
Operation mode	S1
Motor bearing	Ball bearing
Touch current acc. IEC 60990 (measuring network Fig. 4, TN system)	< 0.75 mA
Protection class	I (if protective earth is connected by customer)
Product conforming to standard	EN 60335-1
Approval	CCC



AC centrifugal fan

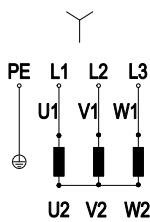
forward curved, single inlet
with housing (flange)

Product drawing



1 Connection line silicone 4G 0.5 mm², 4 x brass lead tips crimped

Connection screen



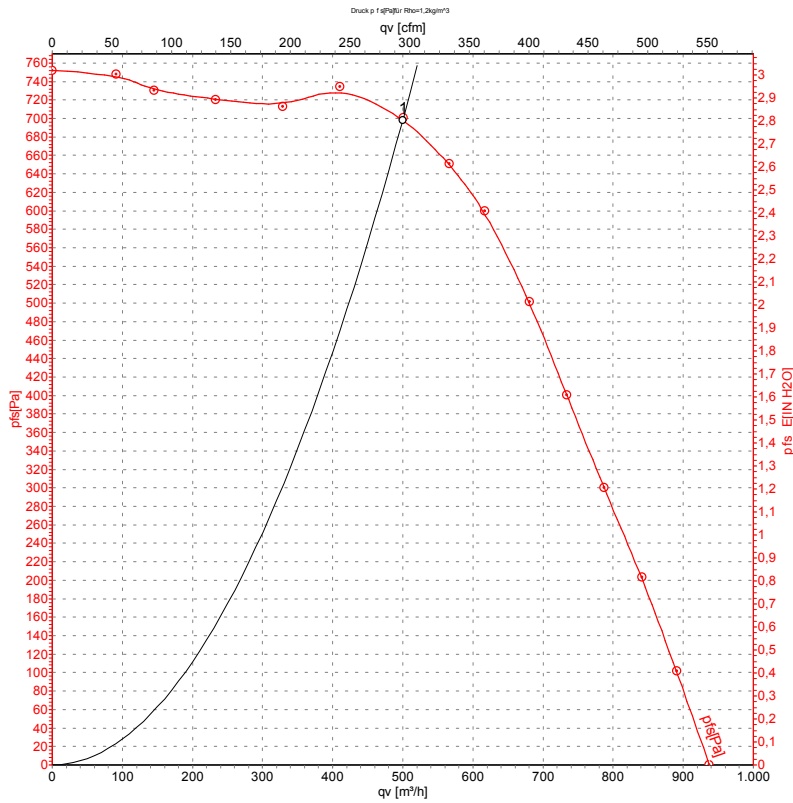
Y	Star connection	L1	black	L2	blue
L3	brown	PE	green/yellow		



AC centrifugal fan

forward curved, single inlet
with housing (flange)

Charts: Air flow 50 Hz



Measurement: LU-23947

Air performance measured as per ISO 5801 Installation category A. For detailed information on the measuring set-up, please contact ebm-papst. Suction-side noise levels: L_{wA} measured as per ISO 13347 / L_{pA} measured with 1m distance to fan axis. The values given are valid under the measuring conditions mentioned above and may vary according to the actual installation situation. With any deviation from the standard set-up, the specific values have to be checked and reviewed with the unit installed.

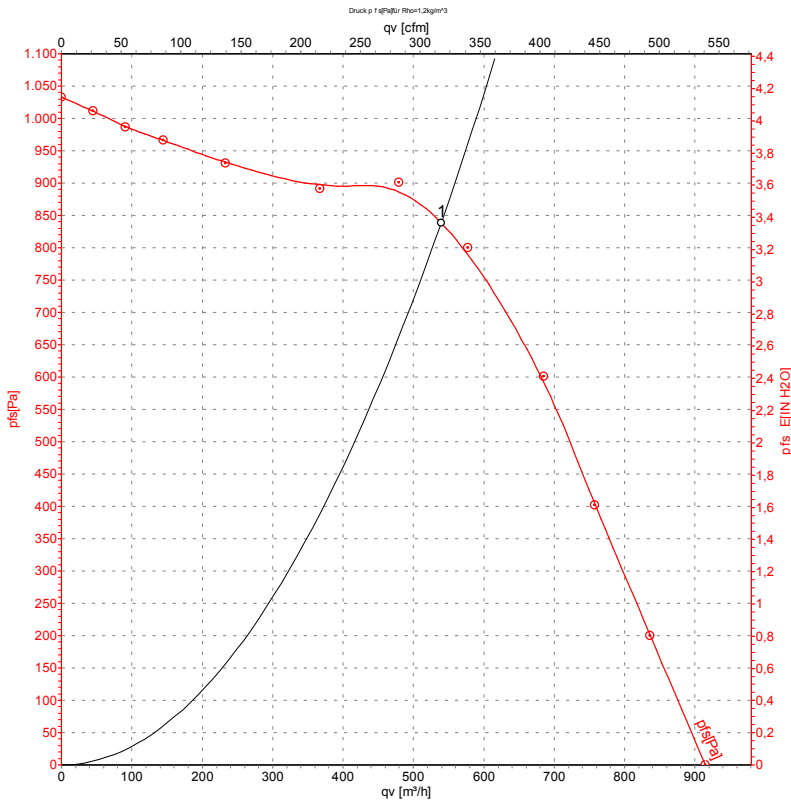
Measured values

	U	f	n	P _e	I	qv	p _{fs}
	V	Hz	min ⁻¹	W	A	m ³ /h	Pa
1	400	50	2650	305	0.62	500	700

U = Supply voltage · f = Frequency · n = Speed · P_e = Power input · I = Current draw · qv = Air flow · p_{fs} = Pressure increase



Charts: Air flow 60 Hz



Measurement: LU-23948

Air performance measured as per ISO 5801 Installation category A. For detailed information on the measuring set-up, please contact ebm-papst. Suction-side noise levels: L_{wA} measured as per ISO 13347 / L_{pA} measured with 1m distance to fan axis. The values given are valid under the measuring conditions mentioned above and may vary according to the actual installation situation. With any deviation from the standard set-up, the specific values have to be checked and reviewed with the unit installed.

Measured values

	U	f	n	P _e	I	qv	p _{fs}
	V	Hz	min ⁻¹	W	A	m ³ /h	Pa
1	400	60	2950	430	0.68	540	840

U = Supply voltage · f = Frequency · n = Speed · P_e = Power input · I = Current draw · qv = Air flow · p_{fs} = Pressure increase



X-ON Electronics

Largest Supplier of Electrical and Electronic Components

Click to view similar products for [ebm papst](#) manufacturer:

Other Similar products are found below :

[3312M](#) [4114N](#) [W1G200-EA95-68](#) [DV6248U](#) [5930-507](#) [6224NT](#) [M4Q045-CF01-75](#) [M4Q045-DA05-01](#) [D2E133-DM27-D8](#) [8314S](#)
[G2E108-AG63-01](#) [G2E140-AL30-48](#) [A2D200-AA02-16](#) [A2E200-AF02-02](#) [A4D350-AN08-02](#) [A4E300-AS72-02](#) [A4E330-AP18-13](#)
[R1G225-AG15-11](#) [R2D220-AA24-13](#) [R2D270-AB12-09](#) [R2E220-AB08-12](#) [R3G310-AL09-30](#) [R4E225-AT15-10](#) [REF100-11/14](#) [RG90-](#)
[18/14N](#) [9496-2-4039-1](#) [A2D240-AA02-10](#) [A2D250-AA06-52](#) [A2E300-AP02-01](#) [G2E120-FV56-16](#) [G2E160-AY47-57](#) [QR06A-2/106349](#)
[R1G250-AQ21-52](#) [R2E180CH0312](#) [R2E225-BD92-36](#) [R3G175-AF25-02](#) [LZ27](#) [REF100-11/12](#) [RG125-19/12N/2](#) [RH31M-6/104372](#)
[RH56M-6/204689](#) [RLF100-11/18](#) [D2E097-BI56-48](#) [55416.30320](#) [3314U](#) [K3G097-AK34-43](#) [D4E180-BA02-02](#) [4112NHH](#) [412FH-132](#)
[W2E200-CI38-01](#)