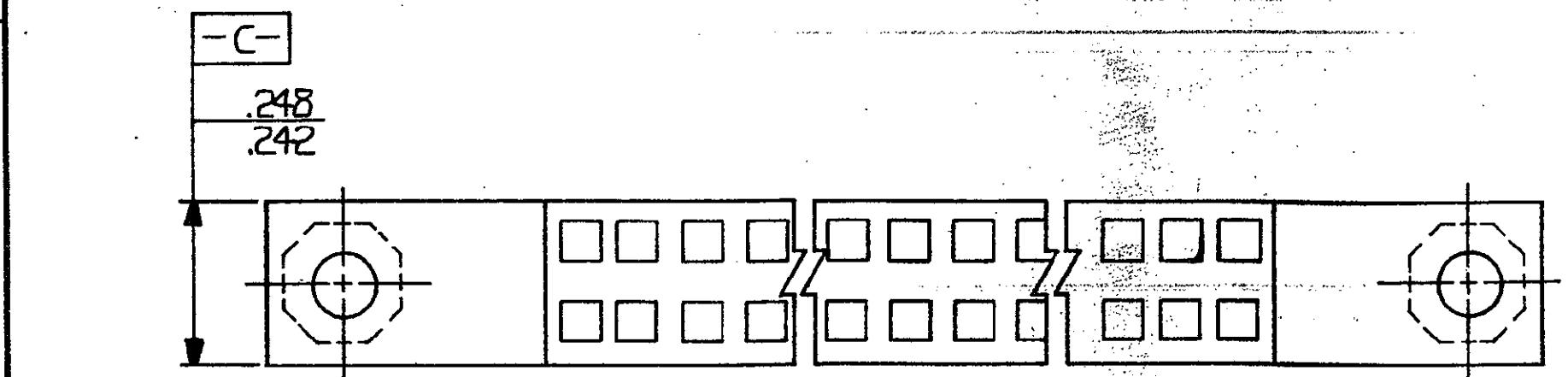
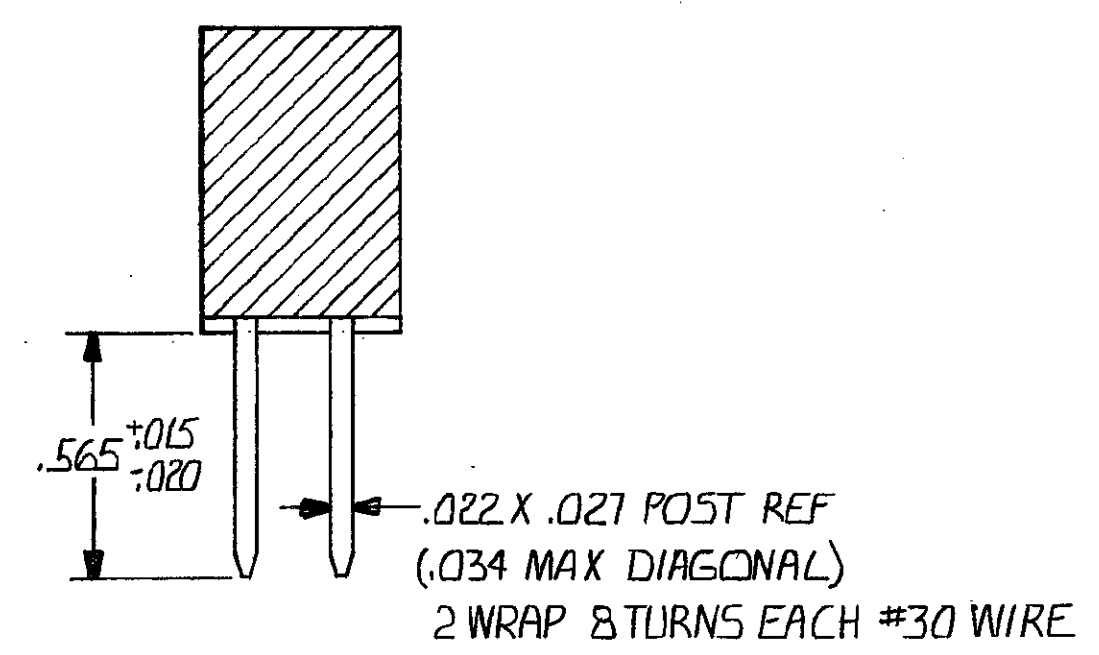
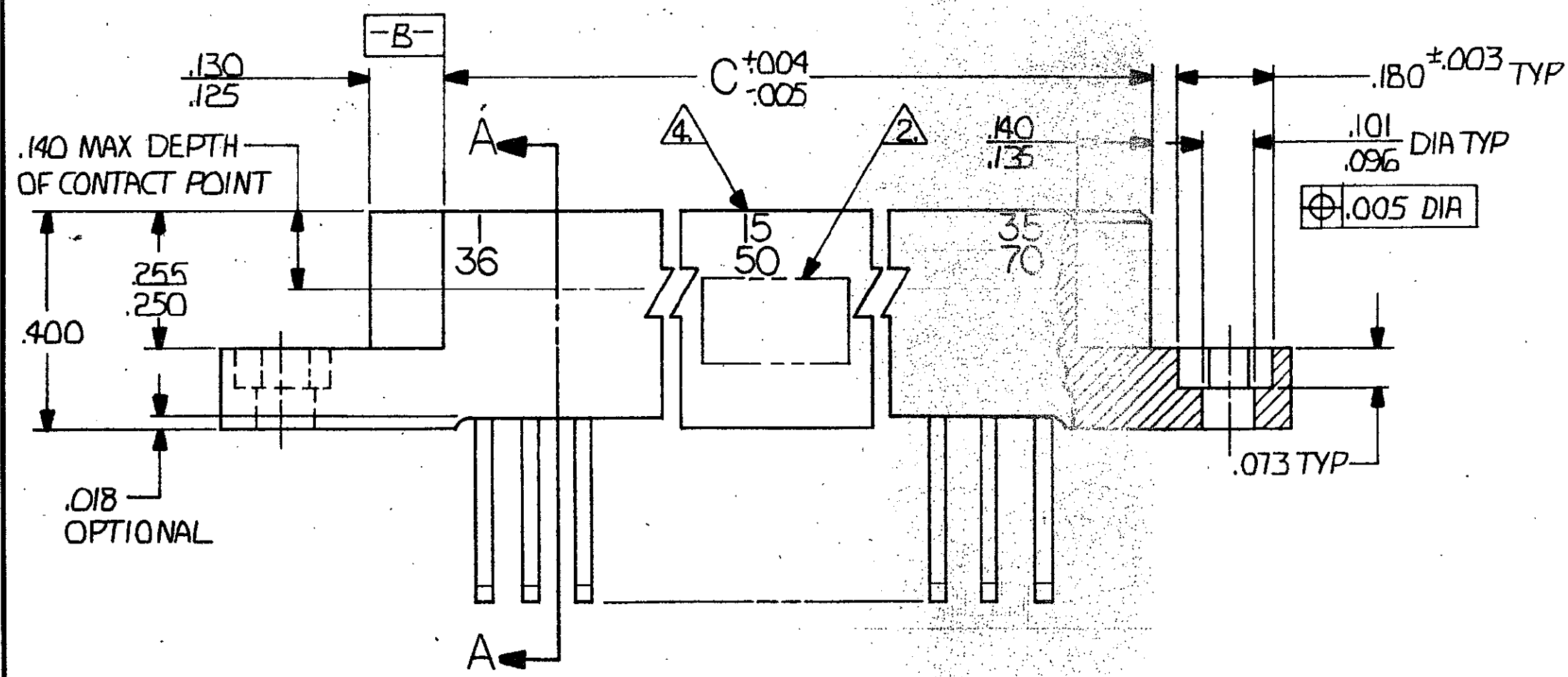
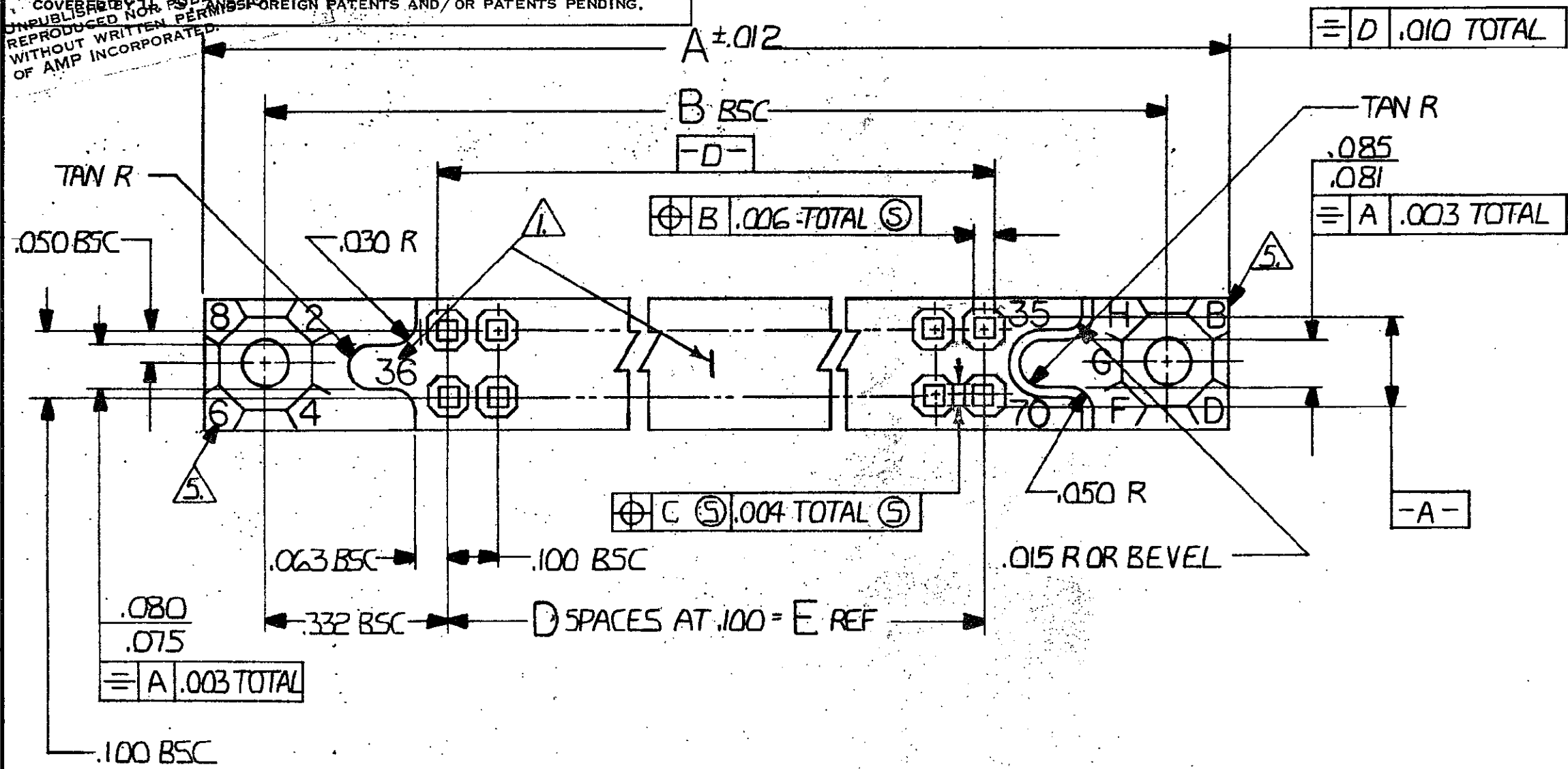


© COPYRIGHT 1976 BY AMP INCORPORATED, HARRISBURG, PA.
 ALL INTERNATIONAL RIGHTS RESERVED. AMP INCORPORATED PRODUCTS
 COVERED BY PATENTS AND PATENTS PENDING.
 REPRODUCED OR TRANSMITTED IN ANY FORM OR BY ANY MEANS
 WITHOUT WRITTEN PERMISSION OF AMP INCORPORATED.

REVISIONS					
P	F	ZONE	DESCRIPTION	DATE	APPROVED
		F	ECO-08-020831	PY 10-08	BW



UNLESS OTHERWISE SPECIFIED DIMENSIONS ARE IN INCHES. TOLERANCES ON: DECIMALS $\pm .005$ ANGLES \triangle	CONTRACT NO	AMP INCORPORATED Harrisburg, Pa.		
	DR <i>R. Wolber</i> 11-12-76	NAME	BOX CONNECTOR RECEPTACLE ASSY .100 GRID EXTERNAL KEYING	
	CHK <i>R. Williams</i> 11-23-76	SIZE	CODE	IDENT NO
	MATERIAL	APPD <i>R. Williams</i> 11-23-76	00779	530780
FINISH	APPD <i>D. Myers</i> 11-29-76	DRAWING NO	REV	
	DSGN APPD	C	F	
	OTHER APPD	SCALE	SHEET	
		4-1	1 OF 2	

DRAWING MADE IN THIRD ANGLE PROJECTION

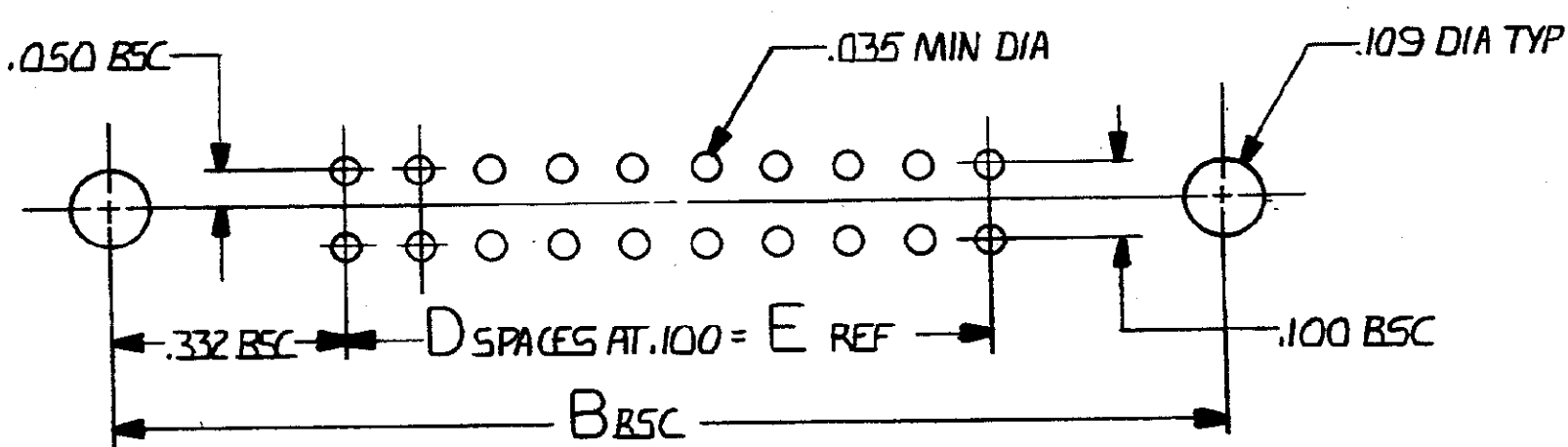
© COPYRIGHT 19 BY AMP INCORPORATED, HARRISBURG, PA.
ALL INTERNATIONAL RIGHTS RESERVED. AMP INCORPORATED PRODUCTS
COVERED BY U. S. AND FOREIGN PATENTS AND/OR PATENTS PENDING.

UNPUBLISHED COPY NOT TO BE
REPRODUCED NOR PUBLISHED
WITHOUT WRITTEN PERMISSION
AMP INCORPORATED

LOC DIST
DF FO

REVISONS		DATE	APPROVED
P	F	ZONE	LTR
DESCRIPTION		SEE SHEET 1 OF 2	

- 1. NUMBERS AND LINES INDICATING EVERY FIVE CAVITIES MARKED ON MATING FACE.
- 2. AMP PART NUMBER DATE CODE, 00779 & MILITARY PART NUMBER MARKED IN THIS AREA. SIDE OPTIONAL
- 3. MUST MEET ALL APPLICABLE REQUIREMENTS OF MIL-C-55302.
- 4. NUMBERS INDICATING EVERY FIVE CAVITIES MARKED ON SIDE
- 5. KEY POSITION IDENTIFICATION MOLDED ON SURFACES SHOWN.
- 6. USE EXTERNAL KEY NUMBER 530341-1 MATES WITH PART NUMBER 530339.
- 7. HOUSING MATERIAL: DIALLYL PHTHALATE COLOR: BLUE PER MIL-M-14 TYPE SDG-F.
- 8. CONTACT MATERIAL: BERYLLIUM COPPER .000050 GOLD OVER NICKEL.



M55302/27-221	21	140 ⁷⁰	6.900	69	7.165	7.565	7.855	140	530780-3
M55302/27-220	20	134 ⁶⁷	6.600	66	6.865	7.265	7.555	134	1-530780-2
M55302/27-219	19	130 ⁶⁵	6.400	64	6.665	7.065	7.355	130	1-530780-1
M55302/27-218	18	120 ⁶⁰	5.900	59	6.165	6.565	6.855	120	1-530780-0
M 55302/27-162	56	110 ⁵⁵	5.400	54	5.665	6.065	6.355	110	530780-9
M 55302/27-161	51	100 ⁵⁰	4.900	49	5.165	5.565	5.855	100	-8
M 55302/27-160	46	90 ⁴⁵	4.400	44	4.665	5.065	5.355	90	-7
M 55302/27-159	41	80 ⁴⁰	3.900	39	4.165	4.565	4.855	80	-6
M 55302/27-158	36	70 ³⁵	3.400	34	3.665	4.065	4.355	70	-5
M 55302/27-157	31	60 ³⁰	2.900	29	3.165	3.565	3.855	60	-4
M 55302/27-156	26	50 ²⁵	2.400	24	2.665	3.065	3.355	50	-3
M 55302/27-155	21	40 ²⁰	1.900	19	2.165	2.565	2.855	40	-2
M 55302/27-154	16	30 ¹⁵	1.400	14	1.665	2.065	2.355	30	530780-1
M 55302	CONTACT IDENTIFICATION NO		E	D	C	B	A	NO OF CONTACTS	PART NO

UNLESS OTHERWISE SPECIFIED DIMENSIONS ARE IN INCHES. TOLERANCES ON: DECIMALS ± .005 ANGLES	CONTRACT NO	AMP INCORPORATED Harrisburg, Pa.	
	DR Robert Walden 11-15-76	NAME BOX CONNECTOR RECEPTACLE	
MATERIAL	CHK R. Williams 11-23-76	ASSY .100GRID EXTERNAL KEYING	
	APPD R. Williams 11-23-76	SIZE	CODE IDENT NO
FINISH	APPD D.G. Meyer 11-29-76	DRAWING NO 530780	
	DSGN APPD	C	00779
OTHER APPD	SCALE 4-1		REV F
		SHEET 2 OF 2	

CUSTOMER DRAWING

X-ON Electronics

Largest Supplier of Electrical and Electronic Components

Click to view similar products for [Rectangular Mil Spec Connectors](#) category:

Click to view products by [TE Connectivity](#) manufacturer:

Other Similar products are found below :

[006-1169-16](#) [CSR31343-0001-00000](#) [CSR31346-0001-A0001](#) [CSR31899-0001-00000](#) [CSR31900-0001-A0001](#) [CTJ-3D-05](#) [CTS-S16/16](#)
[M55302/57A36X](#) [M55302/58-A70Y](#) [65002-062](#) [65008-D08](#) [CY4602-000](#) [732-8020-01](#) [732-8021-02 B](#) [77058-22-55PN](#) [81542-20](#)
[86.030.0053.0](#) [1241346-1](#) [RM252-020-311-2900](#) [DMC-M 08-16 SNE](#) [1589051-4](#) [BACC65CAMA](#) [BACC65CAMN](#) [BACC65CP1PN](#)
[BACI10BC1220PN](#) [18023-9](#) [HSB-D4S03DM222X](#) [2217548-1](#) [891-009-15SA2-BRT1T](#) [SIM2S100A](#) [1604996-2](#) [SMD25PN90L-4055](#)
[1925036-4](#) [220A012-25225-0](#) [22628-10-6P-791](#) [CSR31343-0001-A0001](#) [CSR31899-0001-A0001](#) [CSR31900-0001-00000](#) [33526M11-08PD](#)
[RE04-212S](#) [CTD160E01F-6148](#) [CTJ112E03B](#) [CTJ122E02D-8000](#) [CTJ-3D-12](#) [CTJ920E06N-513](#) [CTJ920E12N-513](#) [CTL-16-090](#) [CTR06-](#)
[5100SY](#) [M55302/63A20H](#) [M55302/66-30H](#)