

**Innovations
Embedded**

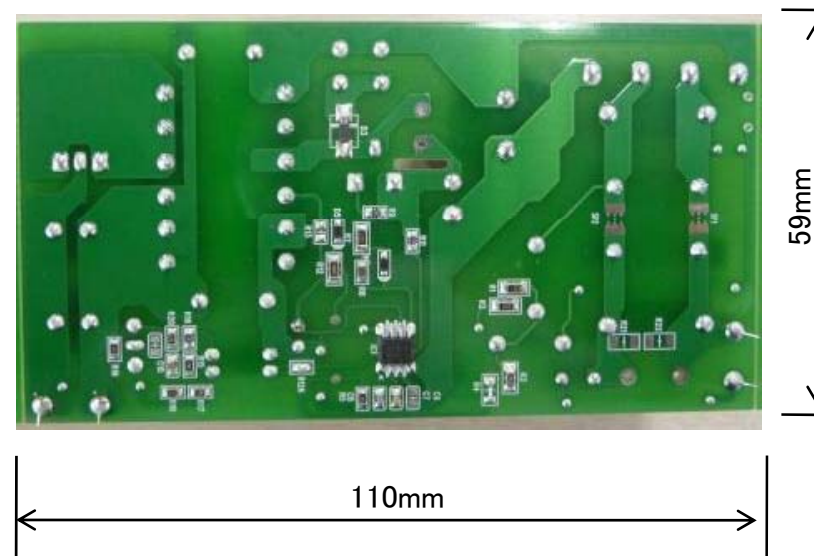
Board No:BM1P061FJEVK-001

Confidential © 2013 ROHM Co.,Ltd. All Rights Reserved

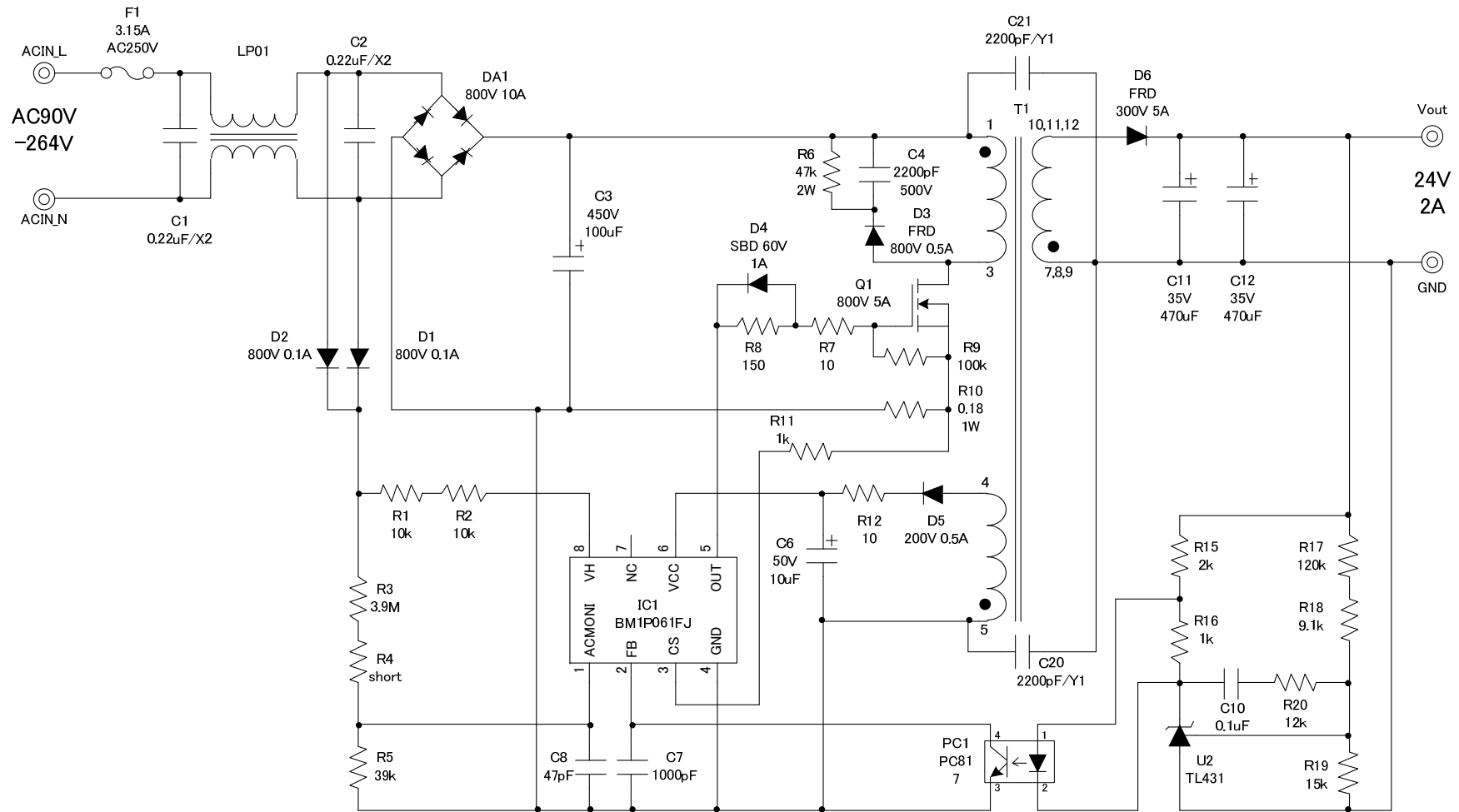
ROHM Co.,Ltd.

Reference Board Specification

Description		Symbol	Min	Typ	Max	Unit	Condition
Input	Voltage	Vin	90		264	Vac	
	Frequency	fac	47	50/60	63	Hz	
	No Load Input Power				100	mW	Vin: AC100V/230V
Output	Voltage	Vout	22.8	24	25.2	V	
	Current	Iout	2			A	
	Ripple Voltage	Vripple			100	mV	20MHz Bandwidth
	Efficiency		80			%	Output: 24V 2A



Application Schematic

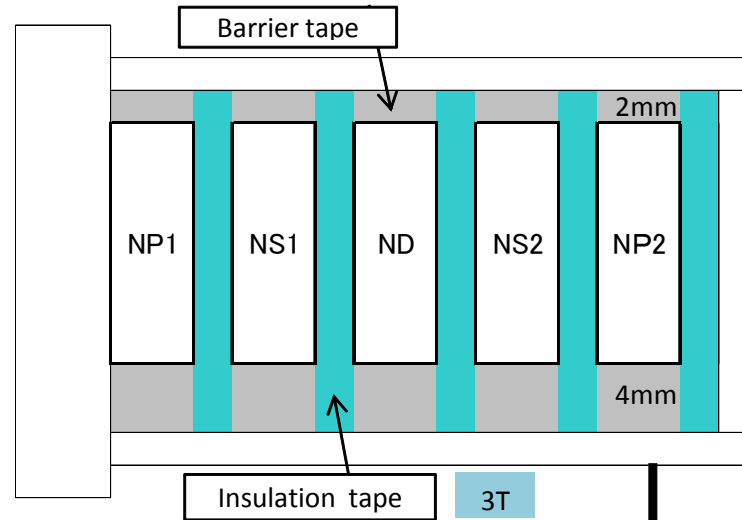
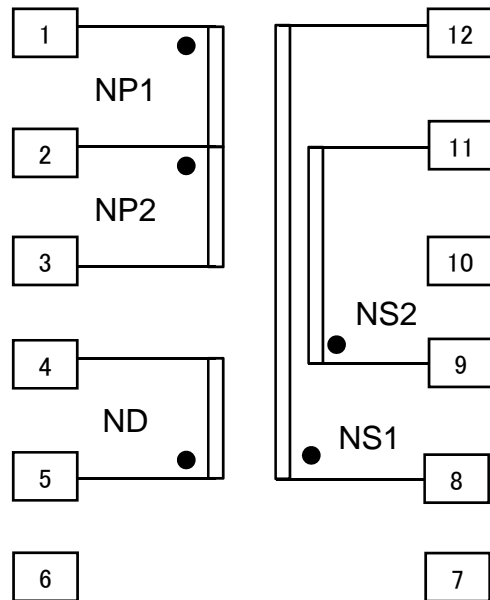


Component List

Item	Spec	Parts name	Maker
C1	0.1uF/X2	LE224	Okaya
C2	0.1uF/X2	LE224	Okaya
C3	100uF/450V	450V 100uF	
C4	2200pF/500V	CK45-R3AD222KYNS	TDK
C6	10uF/50V	10uF 50V	
C7	1000pF/16V	1000pF/16V 1608	
C8	47pF/16V	47pF/16V 1608	
C10	0.1uF/25V	0.1uF/25V 1608	
C11	Low-Z 470uF/35V	Low-Z 470uF/35V	
C12	Low-Z 470uF/35V	Low-Z 470uF/35V	
C20	2200pF/Y1	2200pF/Y1	
C21	2200pF/Y1	2200pF/Y1	
DA1	800V/10A	D10XB80	Shindengen
D1	800V/0.1A	1N4007	
D2	800V/0.1A	1N4007	
D3	FRD 800V 0.5A	FRD 800V 1A	
D4	SBD/FRD 40V 1A	RB160VA-40TR	Rohm
D5	200V 0.5A	RF05VA2STR	Rohm
D6	FRD 300V 5A	RF2001T3D	Rohm
F1		3.15A/AC250V	
IC1		BM1P061FJ	Rohm
LP01		SS26V-100250	NEC Tokin
Q1	800V 5A	R8005ANX	Rohm
R1	10k Ω	MCR18EZHZJ103	Rohm
R2	10k Ω	MCR18EZHZJ103	Rohm
R3	3.9M Ω	MCR18EZHZJ395	Rohm
R4	short		
R5	39k Ω	MCR10EZPJ393	Rohm
R6	47k Ω /2W	47k Ω /2W	
R7	10 Ω	MCR18EZPJ100	Rohm
R8	150 Ω	MCR10EZPJ151	Rohm
R9	100k Ω	MCR10EZPJ104	Rohm
R10	0.15 Ω /1W	LTR100 0.15 Ω	Rohm

Item	Spec	Parts name	Maker
R11	1k Ω	MCR10EZPJ102	Rohm
R12	10 Ω	MCR18EZHZJ100	Rohm
R15	2k Ω	MCR10EZPJ202	Rohm
R16	1k Ω	MCR10EZPJ102	Rohm
R17	120k Ω	MCR10EZPJ124	Rohm
R18	9.1k Ω	MCR10EZPJ912	Rohm
R19	15k Ω	MCR10EZPJ153	Rohm
R20	12k Ω	MCR10EZPJ123	Rohm
T1	EER28	YPP1178	Tomita
U2		TL431	
PC1		PC817	

Transformer:YPP1178 (EER28)



Core: JFE MB3 EER-28.5A or compatible

Bobbin: JFE BER28.5SP12 Vertical/Terminal Pins 6-6(12pins) or compatible

AL-Value: 137.5 nH/N²

Inductance(1-3pin): 0.220 mH±15%

Coil	Terminal	Turns	Wire	Winding Method
NP1	'1-2	20	2UEW 0.45	1 Layer FIT(密)
NS1	'8-12	16	2UEW 0.5	1 Layer FIT(密)
ND	'5-4	10	2UEW 0.45	1 Layer SPACE(均等)
NS2	'9-11	16	2UEW 0.5	1 Layer FIT(密)
NP2	'2-3	20	2UEW 0.45	1 Layer FIT(密)

耐圧 P-S :AC3.0kVrms 1MIN. 2mA or AC3.6kVrms 1s 2mA

PS-CORE:AC1.5kVrms 1MIN. 2mA or AC1.8kVrms 1s 2mA

IR : P-S,PS-CORE 100 MΩ MIN. at DC 500V

Winding beginning: Fix by barrier tape

Winding end: Interpose the line drawn
in a right angle

Winding direction: Unification

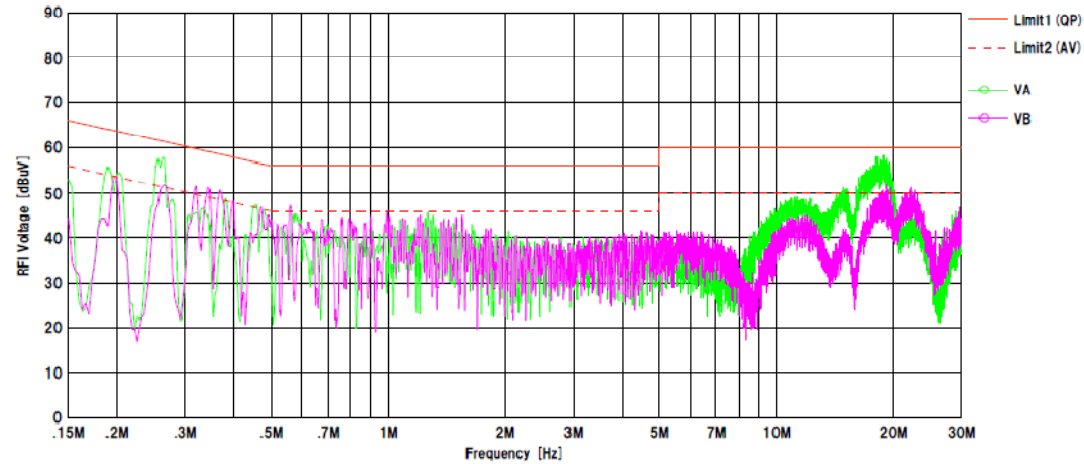
Measurement Data

Vin(V)	Pin(W)	Vout(V)	Iout(A)	Pout(W)	η (%)
90	0.054	23.88	0	0	-
	0.434	23.88	0.01	0.239	55.0
	13.70	23.87	0.5	11.93	87.1
	27.69	23.86	1	23.86	86.2
	42.11	23.86	1.5	35.79	85.0
	56.92	23.86	2	47.72	83.8
100	0.055	23.88	0	0	-
	0.433	23.88	0.01	0.239	55.1
	13.52	23.89	0.5	11.94	88.4
	27.51	23.86	1	23.86	86.7
	41.70	23.86	1.5	35.79	85.8
	56.22	23.86	2	47.72	84.9
230	0.081	23.88	0	0	-
	0.457	23.88	0.01	0.239	52.3
	13.61	23.86	0.5	11.93	87.7
	26.94	23.85	1	23.85	88.5
	40.45	23.84	1.5	35.76	88.4
	54.10	23.84	2	47.68	88.1
264	0.094	23.88	0	0	-
	0.469	23.88	0.01	0.239	50.9
	13.48	23.86	0.5	11.93	88.5
	26.80	23.84	1	23.84	89.0
	40.31	23.84	1.5	35.76	88.7
	53.96	23.83	2	47.67	88.3

Conduction EMI

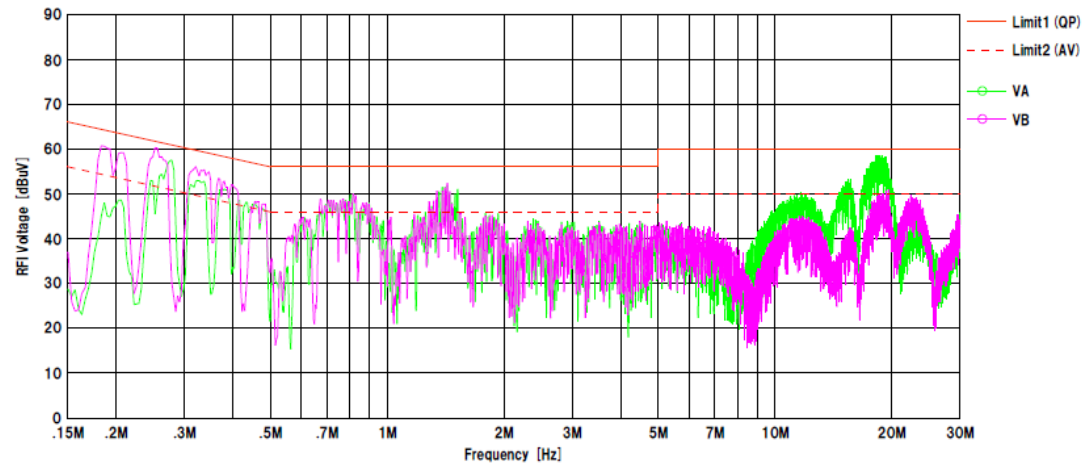
Vin: AC100V/50Hz
Vout: 24V 2A

Limit1 : CISPR Pub 22 Class B
Limit2 : CISPR Pub 22 Class B (AV)



Vin: AC230V/50Hz
Vout: 24V 2A

Limit1 : CISPR Pub 22 Class B
Limit2 : CISPR Pub 22 Class B (AV)



- 4) Examples of application circuits, circuit constants and any other information contained herein are provided only to illustrate the standard usage and operations of the Products. The peripheral conditions must be taken into account when designing circuits for mass production.
- 5) The technical information specified herein is intended only to show the typical functions of and examples of application circuits for the Products. ROHM does not grant you, explicitly or implicitly, any license to use or exercise intellectual property or other rights held by ROHM or any other parties. ROHM shall have no responsibility whatsoever for any dispute arising out of the use of such technical information.
- 6) The Products are intended for use in general electronic equipment (i.e. AV/OA devices, communication, consumer systems, gaming/entertainment sets) as well as the applications indicated in this document.
- 7) The Products specified in this document are not designed to be radiation tolerant.
- 8) For use of our Products in applications requiring a high degree of reliability (as exemplified below), please contact and consult with a ROHM representative : transportation equipment (i.e. cars, ships, trains), primary communication equipment, traffic lights, fire/crime prevention, safety equipment, medical systems, servers, solar cells, and power transmission systems.
- 9) Do not use our Products in applications requiring extremely high reliability, such as aerospace equipment, nuclear power control systems, and submarine repeaters.
- 10) ROHM shall have no responsibility for any damages or injury arising from non-compliance with the recommended usage conditions and specifications contained herein.
- 11) ROHM has used reasonable care to ensure the accuracy of the information contained in this document. However, ROHM does not warrant that such information is error-free, and ROHM shall have no responsibility for any damages arising from any inaccuracy or misprint of such information.
- 12) Please use the Products in accordance with any applicable environmental laws and regulations, such as the RoHS Directive. For more details, including RoHS compatibility, please contact a ROHM sales office. ROHM shall have no responsibility for any damages or losses resulting from non-compliance with any applicable laws or regulations.
- 13) When providing our Products and technologies contained in this document to other countries, you must abide by the procedures and provisions stipulated in all applicable export laws and regulations, including without limitation the US Export Administration Regulations and the Foreign Exchange and Foreign Trade Act.
- 14) This document, in part or in whole, may not be reprinted or reproduced without prior consent of ROHM.



Thank you for your accessing to ROHM product informations.
More detail product informations and catalogs are available, please contact us.

ROHM Customer Support System

<http://www.rohm.com/contact/>

X-ON Electronics

Largest Supplier of Electrical and Electronic Components

Click to view similar products for [Power Management IC Development Tools](#) category:

Click to view products by [ROHM](#) manufacturer:

Other Similar products are found below :

[EVAL6482H-DISC](#) [EVAL-AD5522EBUZ](#) [EVAL-ADM1060EBZ](#) [EVAL-ADM1073MEBZ](#) [EVAL-ADM1166TQEBZ](#) [EVAL-ADM1168LQEBZ](#) [EVAL-ADM1171EBZ](#) [EVAL-ADM1276EBZ](#) [EVB-EN5319QI](#) [EVB-EN5365QI](#) [EVB-EN6347QI](#) [EVB-EP5348UI](#) [MIC23158YML EV](#) [MIC23451-AAAYFL EV](#) [MIC5281YMME EV](#) [124352-HMC860LP3E](#) [ADM00513](#) [ADM8611-EVALZ](#) [ADM8612-EVALZ](#) [ADM8613-EVALZ](#) [ADM8615-EVALZ](#) [ADP1046ADC1-EVALZ](#) [ADP1055-EVALZ](#) [ADP122-3.3-EVALZ](#) [ADP130-0.8-EVALZ](#) [ADP130-1.2-EVALZ](#) [ADP130-1.5-EVALZ](#) [ADP130-1.8-EVALZ](#) [ADP160UJZ-REDYKIT](#) [ADP166UJ-EVALZ](#) [ADP1712-3.3-EVALZ](#) [ADP1714-3.3-EVALZ](#) [ADP1715-3.3-EVALZ](#) [ADP1716-2.5-EVALZ](#) [ADP1740-1.5-EVALZ](#) [ADP1752-1.5-EVALZ](#) [ADP1754-1.5-EVALZ](#) [ADP1828LC-EVALZ](#) [ADP1870-0.3-EVALZ](#) [ADP1871-0.6-EVALZ](#) [ADP1873-0.6-EVALZ](#) [ADP1874-0.3-EVALZ](#) [ADP1876-EVALZ](#) [ADP1879-1.0-EVALZ](#) [ADP1882-1.0-EVALZ](#) [ADP1883-0.6-EVALZ](#) [ADP197CB-EVALZ](#) [ADP199CB-EVALZ](#) [ADP2102-1.25-EVALZ](#) [ADP2102-1.2-EVALZ](#)