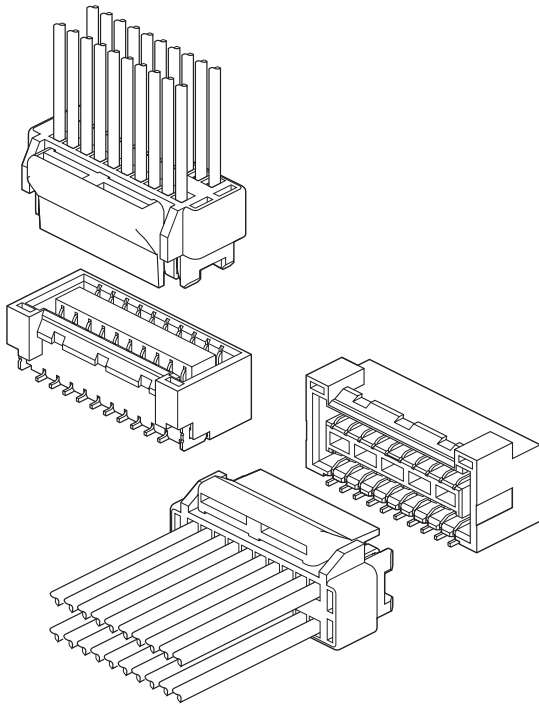




GHD CONNECTOR



1.25mm pitch/Disconnectable Crimp style connectors



To meet the requirement of the high density mounting on PC board of flat panel TV, AV equipments etc., this connector is designed to the double-row type of 1.25mm pitch. Its operability is very well, in spite of the small size.

- Secure locking structure
- Low insertion force
- Prevention of contact deformation
- Suction area for picking up

Specifications

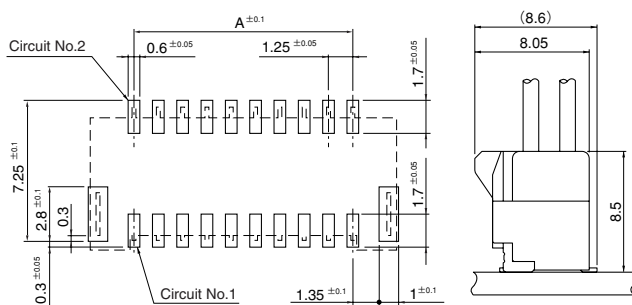
- Current rating: 1.0A AC, DC (AWG #26)
- Voltage rating: 50V AC, DC
- Temperature range: -25°C to +85°C
(including temperature rise in applying electrical current)
- Contact resistance:
 - Initial value/Top entry type: 30m Ω max.
 - Side entry type: 50m Ω max
 - After environmental testing/ Top entry type: 50m Ω max.
 - Side entry type: 70m Ω max
- Insulation resistance: 100M Ω min.
- Withstanding voltage: 500V AC/minute
- Applicable wire: Conductor size/ AWG #30 to #26
Insulation O.D./ 0.8 to 1.0mm

- * Compliant with RoHS.
- * Refer to "General Instruction and Notice when using Terminals and Connectors" at the end of this catalog.
- * Contact JST for details.

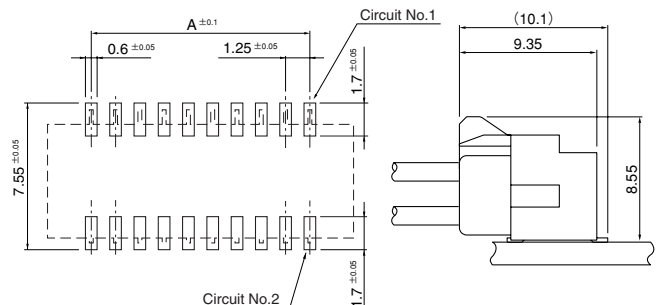
Standards

Recognized E60389

Top entry type



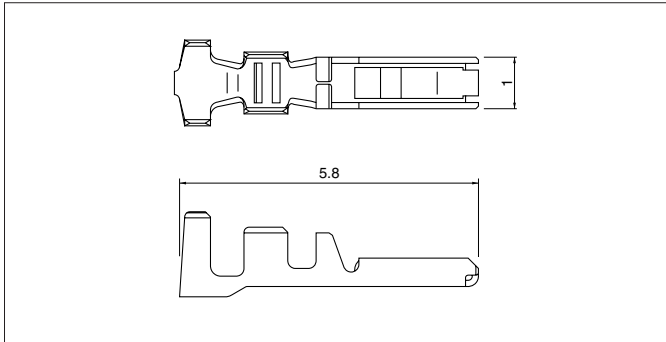
Side entry type



Note: 1. Tolerances are non-cumulative: ±0.05mm for all centers.
2. The dimensions above should serve as a guideline. Contact JST for details.

GHD CONNECTOR

Contact



| Model No. | Applicable wire | | Insulation O.D. (mm) | Q'ty / reel |
|-----------------|-----------------|-------|----------------------|-------------|
| | mm ² | AWG# | | |
| SGHD-002GA-P0.2 | 0.05~0.13 | 30~26 | 0.8~1.0 | 20,000 |

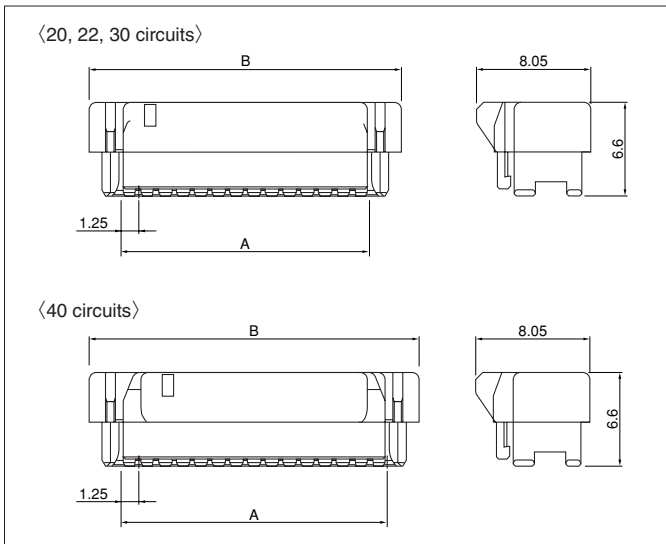
Material and Finish

Phosphor bronze, nickel-undercoated, selective gold-plated

RoHS compliance

| Contact | Crimping machine | Applicator | | |
|-----------------|------------------|------------------|----------------|----------------------------|
| | | Crimp applicator | Dies | Crimp applicator with dies |
| SGHD-002GA-P0.2 | AP-K2N | MKS-L-10-3 | MK/SSHL-002-02 | APLMK SSSL002-02 |
| | | — | — | — |

Housing



| Circuits | Model No. | Dimensions (mm) | | Q'ty / box |
|----------|-----------------------|-----------------|-------|------------|
| | | A | B | |
| 20 | GHDR-20V-S (F) | 11.25 | 15.75 | 1,000 |
| 22 | GHDR-22V-S (F) | 12.50 | 17.00 | 1,000 |
| 30 | GHDR-30V-S (F) | 17.50 | 22.00 | 1,000 |
| 40 | GHDR-40V-S (F) | 23.75 | 28.25 | 1,000 |

Material

PBT, UL94V-0, natural (white)

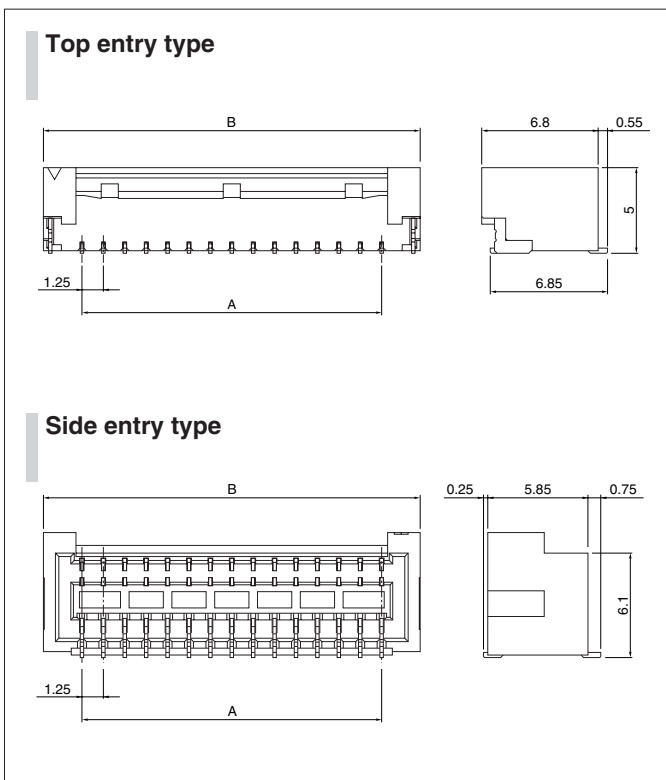
RoHS compliance

<For reference> As the color identification, the following alphabet shall be put in the underlined part. For availability, delivery and minimum order quantity, contact JST.

ex. **GHDR-20V-S (F)**

S...natural (white) LE...light blue MG...moss green
DPK...bdaek pink

Shrouded header



| Circuits | Model No. | Dimensions (mm) | | Q'ty / reel |
|----------|------------------------|-----------------|-------|-------------|
| | | A | B | |
| 20 | BM20B-GHDS-G-TF | 11.25 | 15.75 | 1,250 |
| 22 | BM22B-GHDS-G-TF | 12.50 | 17.00 | 1,250 |
| 30 | BM30B-GHDS-G-TF | 17.50 | 22.00 | 1,250 |
| 32 | BM32B-GHDS-G-TF | 18.75 | 23.25 | 1,250 |
| 40 | BM40B-GHDS-G-TF | 23.75 | 28.25 | 1,250 |

Material and Finish

Contact: Phosphor bronze, nickel-undercoated, selective gold-plated
Housing: PA 9T, UL94V-0, natural (ivory)
Reinforcement: Brass, copper-undercoated, tin-plated

RoHS compliance

This product displays (LF)(SN) on a label. <For reference> As the color identification, the following alphabet shall be put in the underlined part. For availability, delivery and minimum order quantity, contact JST.

ex. **BM20B-GHDS-G-TF**

S...natural (white) LE...light blue MG...moss green
DPK...bdaek pink

| Circuits | Model No. | Dimensions (mm) | | Q'ty / reel |
|----------|--------------------------|-----------------|-------|-------------|
| | | A | B | |
| 20 | SM20B-GHDS-GAN-TF | 11.25 | 15.75 | 900 |
| 22 | SM22B-GHDS-GAN-TF | 12.50 | 17.00 | 900 |
| 30 | SM30B-GHDS-GAN-TF | 17.50 | 22.00 | 900 |

Material and Finish

Contact: Phosphor bronze, nickel-undercoated, selective gold-plated
Housing: LCP, UL94V-0, natural (ivory)

RoHS compliance

X-ON Electronics

Largest Supplier of Electrical and Electronic Components

Click to view similar products for [Headers & Wire Housings](#) category:

Click to view products by [JST](#) manufacturer:

Other Similar products are found below :

[95000-104TRLF](#) [10135584-644402LF](#) [DF62W-EP2022PCA](#) [95000-106TRLF](#) [DF62W-2022SCA](#) [DF62W-EP2022PC](#) [2203348](#) [DF62W-2022SC](#) [1084018](#) [1029039](#) [1084017](#) [802-10-012-10-002000](#) [1112640](#) [1112639](#) [891-007-9SS-BST1T](#) [000-34000](#) [0008550134](#) [0009482033](#) [0009507031](#) [57102-F02-18ULF](#) [57102-S06-03LF](#) [57202-S52-04LF](#) [PCN6-15S-2.5E](#) [0039019024](#) [58102-G61-06LF](#) [582553-1](#) [0009485154](#) [0009508121](#) [0022285053](#) [0050291907](#) [018731A](#) [LY20-4P-DT1-P1E-BR](#) [02.125.8002.8](#) [60101931](#) [60598-1 \(Cut Strip\)](#) [M1625-3R/100](#) [61062-3](#) [61082-181009](#) [CSU011177004](#) [636-1427](#) [638009-1](#) [641938-9](#) [641991-4](#) [644168-1](#) [644827-2](#) [647662-1](#) [65039-019ELF](#) [65692-001LF](#) [65781-018](#) [65781-047](#)