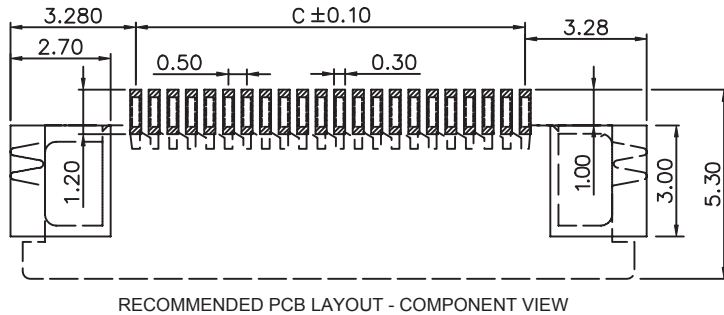


Accommodated FFC/FPC



MATERIAL:
 HOUSING MATERIAL: LCP
 COLOR: IVORY
 ACTUATOR MATERIAL: PA9T
 COLOR: BLACK
 CONTACT MATERIAL: PHOSPOR BRONZE
 CONTACT PLATING: 100µ" TIN OVER 50µ" NI
 QUALITY CLASS: 25 MATING CYCLES*

ENVIRONMENTAL:
 OPERATING TEMPERATURE: -25°C UP TO 85°C
 FLAMMABILITY RATING: UL94-V0
 COMPLIANCE: LEAD FREE AND ROHS

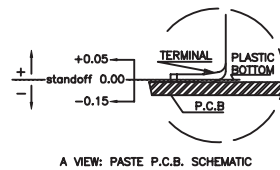
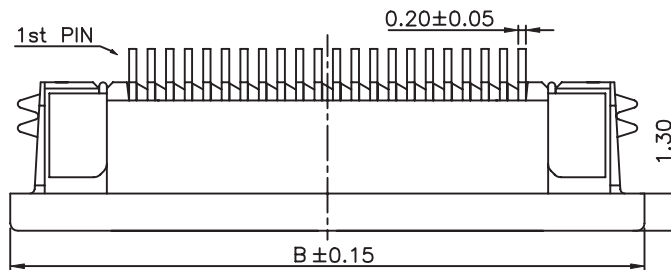
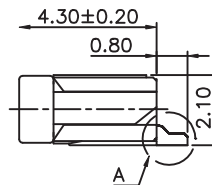
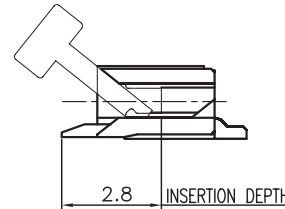
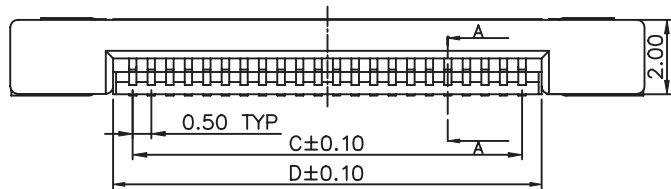
ELECTRICAL:
 CURRENT RATING: 0.5A
 WORKING VOLTAGE: 50V
 INSULATION RESISTANCE: >100 MOHM
 DIELECTRIC WITHSTANDING VOLT.: 250 VAC/MN
 CONTACT RESISTANCE: 20 MOHM MAX

STANDARD
 CERTIFIED: E323964

FOLLOWED BY 1, FOLLOWED BY 04 THRU 50, FOLLOWED BY 140 OR 145, FOLLOWED BY NUMERIC DIGITS

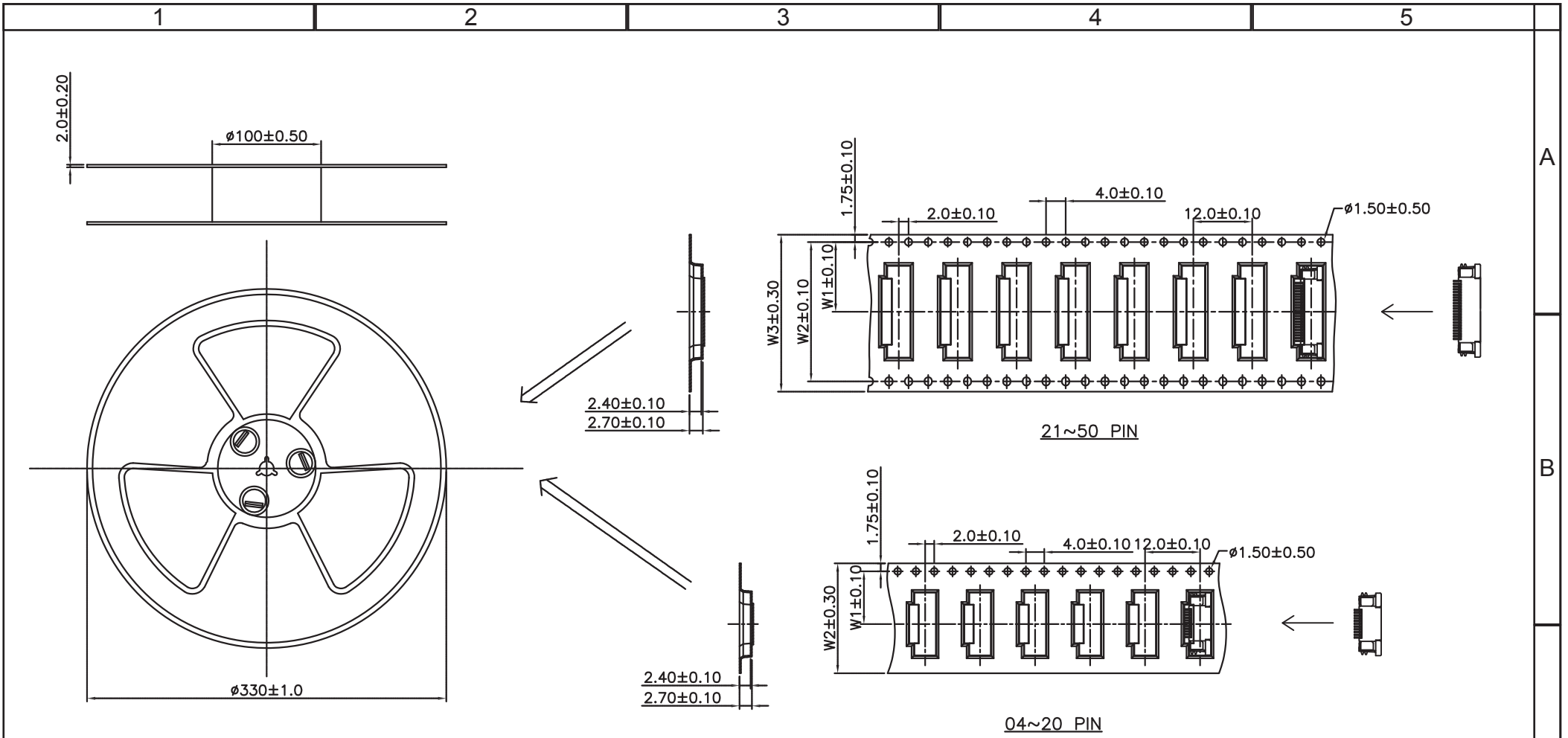
SOLDERING:
 JEDEC LEAD FREE REFLOW SOLDERING

DIMENSION:
 B = 0.5 x NB PINS + 6.4
 C = 0.5 x (NB PINS - 1)
 D = 0.5 x (NB PINS + 1) + 0.1
 E = 0.5 x (NB PINS + 1)

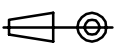



RoHS Compliant		*NOTE: theoretical value related to the Tin plating; however, due to the sensitive actuator, we recommend not to make more than 1 or 2 cycles in order to maintain acceptable mechanical & electrical conditions				
M	22-JUN-17	RECOMMEND. FFC	AK	PROJECTION: 	GENERAL TOLERANCE .X = +/- 0.2 .XX = +/- 0.15	 WÜRTH ELEKTRONIK
L	25-APR-17	ACTUATOR MAT.	AK			
K	09-MAY-16	TPK UPDATE	AK			
J	01-JUN-15	TPK UPDATE	QL			
I	13-DEC-13	TPK UPDATE	QL	APPROVAL: GMo	UNIT: MM	DESCRIPTION: 0.5MM ZIF FPC HORIZONTAL BOTTOM CONTACT TYPE - TAPE & REEL PACKAGING
H	23-JAN-13	UNIT µ => µ"	QL		SCALE:	
REV	DATE	FILE	BY		SHEET: 1/3	WERI PART NO: 687 1xx 145 22
					DRAW: QL	

SIZE
A4



NOTE: 1. 04~06PIN: DIM W1:7.5mm W2:16.0mm PH:12mm
 07~20PIN: DIM W1:11.5mm W2:24.0mm PH:12mm
 21~30PIN: DIM W1:14.2mm W2:28.4mm W3:32.0mm PH:12mm
 31~50PIN: DIM W1:20.2mm W2:40.4mm W3:44.0mm PH:12mm
 2. 2000PCS/REEL

RoHS Compliant				PROJECTION: 	GENERAL TOLERANCE .X = +/- 0.2 .XX = +/- 0.15		DESCRIPTION: 0.5MM ZIF FPC HORIZONTAL BOTTOM CONTACT TYPE - TAPE & REEL PACKAGING	SIZE A4			
G									APPROVAL: GMo	UNIT: MM	WERI PART NO: 6871 xx 14522
F										SCALE:	
E										SHEET: 2/3	
D										DRAW: QL	
C											
B											
A											
REV	DATE	FILE	BY								

1

2

3

4

5

Cautions and Warnings:

This electronic component is designed and developed with the intention for use in general electronics equipments.

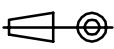

Before incorporating the components into any equipments in the field such as aerospace, aviation, nuclear control, submarine, transportation, (automotive control, train control, ship control), transportation signal, disaster prevention, medical, public information network etc. where higher safety and reliability are especially required or if there is possibility of direct damage or injury to human body, Würth Elektronik must be asked for a written approval.

In addition, even electronic component in general electronic equipments, when used in electrical circuits that require high safety, reliability functions or performance, the sufficient reliability evaluation-check for the safety must be performed before by the user before usage.

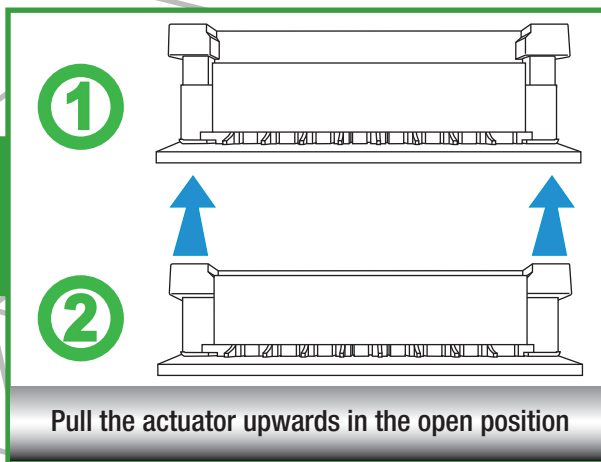
A

B

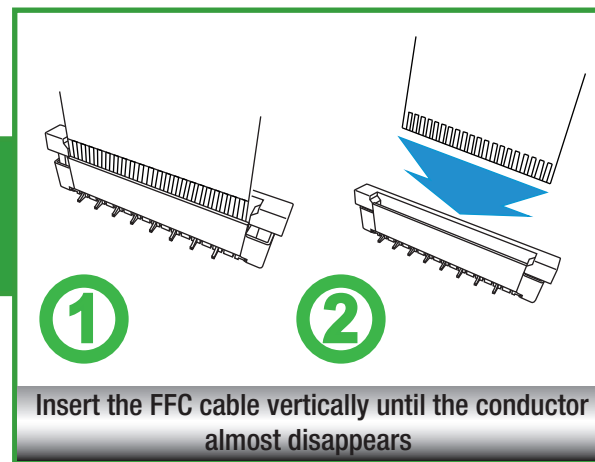
C

RoHS Compliant				PROJECTION: 	GENERAL TOLERANCE .X = +/- 0.2 .XX = +/- 0.15		DESCRIPTION: DISCLAIMER	SIZE A4
G								
F								
E								
D								
C				APPROVAL: JC	UNIT: MM	WERI PART NO: DISCLAIMER	SIZE A4	
B					SCALE:			
A	10-SEP-14	PDF	QL		SHEET: 3/3			
REV	DATE	FILE	BY		DRAW: QL			

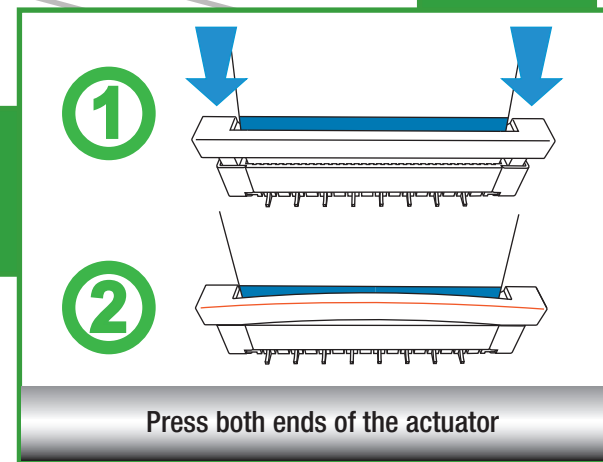
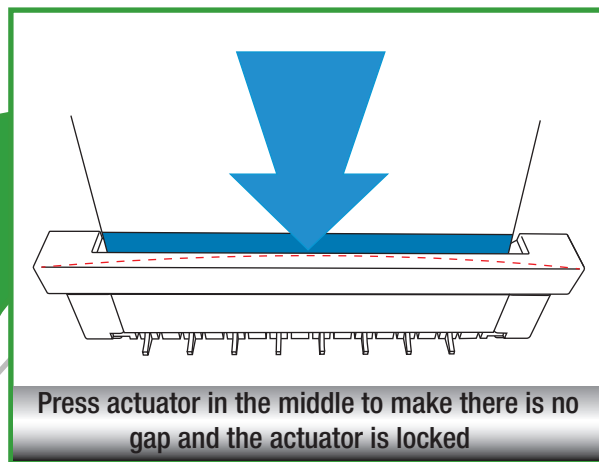
D

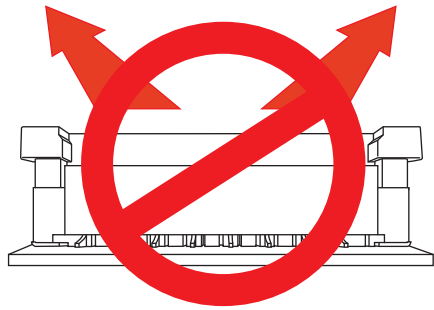


(A)



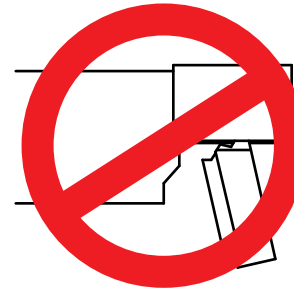
(B)



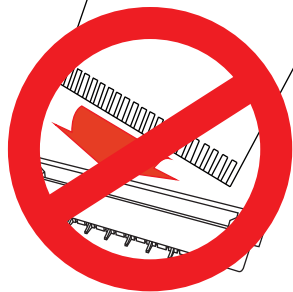


**Pull the actuator as horizontally as possible
by a proper force**

A

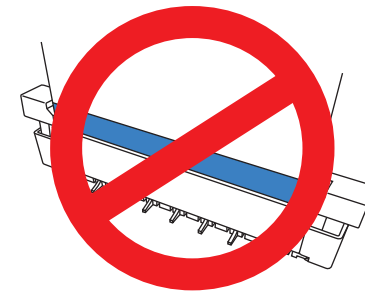


**Do not pull the actuator too far otherwise the stop
limit (hook on actuator) may be broken**



Do not keep FFC inclined when insertion

B



Don't keep conductor toward actuator

X-ON Electronics

Largest Supplier of Electrical and Electronic Components

Click to view similar products for [FFC & FPC Connectors](#) category:

Click to view products by [Würth](#) manufacturer:

Other Similar products are found below :

[HFW11R-1STE1H1LF](#) [FH29B-100S-0.2SHW\(99\)](#) [FA5S008HP1](#) [FH29B-120S-0.2SHW\(99\)](#) [FH29B-80S-0.2SHW\(99\)](#) [FHS-16](#) [FPH-2022G](#)
[52610-1075](#) [52610-1275](#) [52610-1934](#) [XF3M\(1\)-1415-1B-R100](#) [501864-3091-TR225](#) [0525594033](#) [086210010340800](#) [086222026001800](#)
[52271-2869-CUT-TAPE](#) [62674-201121DLF](#) [62684-36210E9ALF](#) [52610-1675](#) [52746-1671-TR250](#) [10051922-2810EHLF](#) [6-520415-9](#)
[BD021-09A-A1-0350-0200-0550-LD](#) [SFV6R-1STE9HLF](#) [XF3M-2915-1B-R100](#) [1658549-1](#) [62674-221121ALF](#) [46214008010800](#)
[046298003000883](#) [151660622](#) [842-816-2630-035](#) [AYF530665TA](#) [AYF351525](#) [046296011930846+](#) [AYF352325A](#) [046254020000800+](#)
[FH19C-13S-0.5SH\(99\)](#) [FH39J-51S-0.3SHW\(99\)](#) [AYF355125A](#) [AYF530365TA](#) [FH29B-44S-0.2SHW\(99\)](#) [SFW5R-2STAE9LF](#) [AYF351125A](#)
[AYF350725A](#) [62684-502100AHLF](#) [FH39-61S-0.3SHW\(99\)](#) [AYF414035A](#) [10064555-172520HLF](#) [AYF212335A](#) [504754-2500](#)