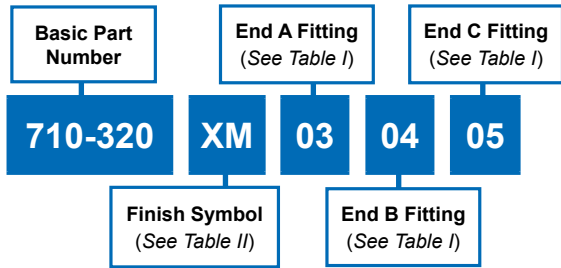


# 710-320 Composite Split Junction Fitting Straight with 45° Branch Configuration



- ### APPLICATION NOTES
1. Metric dimensions (mm) are in parentheses and are for reference only.
  2. Transitions mate to 710S269, S270 and S271 adapters.
  3. When all ends are identical, insert only one dash number. When multiple dash numbers are ordered, transition size will be determined by the largest. Adapter may be supplied on smaller entries. Letter to follow entry will be supplied with adapters.

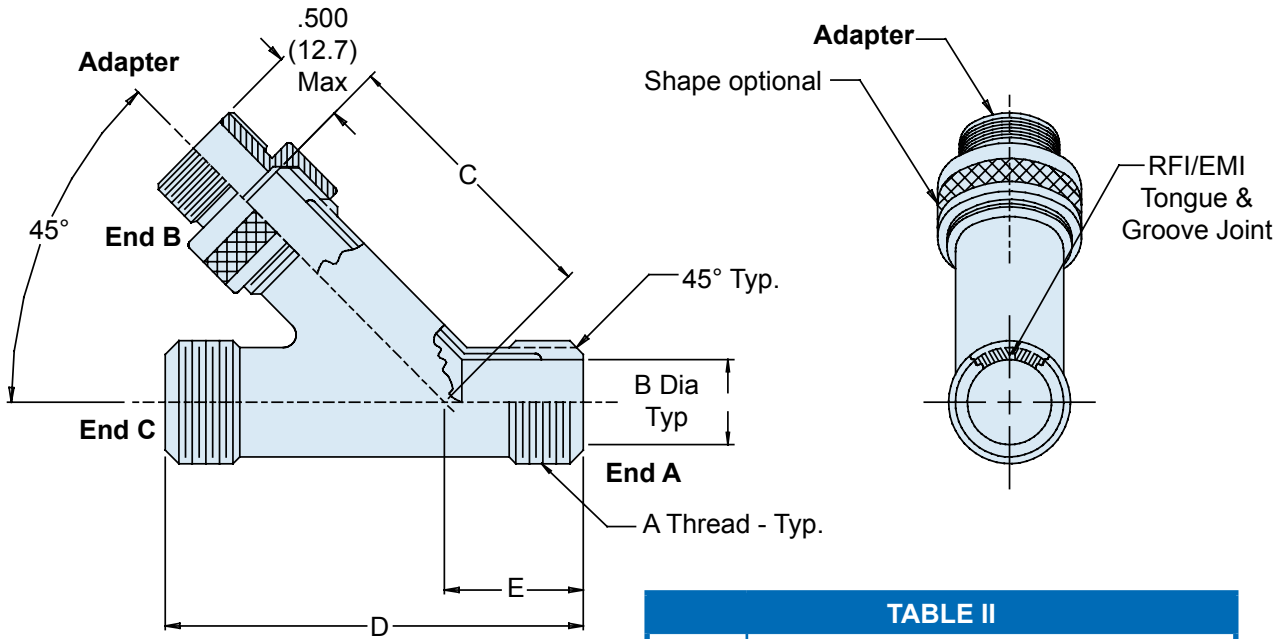


TABLE II	
Symbol	Finish Description
XB	No Plating - Black Color (Non-Conductive Finish)
XM	2000 Hour Corrosion Resistant Electroless Nickel
XMT	2000 Hour Corrosion Resistant Ni-PTFE, Nickel-Fluorocarbon Polymer. <i>1000 Hour Grey™</i>
XO	No Plating - Brown Color (Non-Conductive Finish)
XW	2000 Hour Corrosion Resistant Cadmium/Olive Drab over Electroless Nickel

TABLE I: END ORDER NUMBER AND DIMENSIONS							
End No.	A Thread		B Dia	C Max	D Max	E Max	Weight in Pounds Max.
	Unified						
01	.750 - 20		.500 (12.7)	2.250 (57.2)	3.000 (76.2)	1.125 (28.6)	.093
02	1.000 - 20		.750 (19.1)	2.500 (63.5)	3.375 (85.7)	1.188 (30.2)	.132
03	1.312 - 18		1.000 (25.4)	2.875 (73.0)	4.000 (101.6)	1.333 (33.9)	.192
04	1.500 - 18		1.250 (31.8)	3.125 (79.4)	4.375 (111.1)	1.458 (37.0)	.235
05	2.000 - 18		1.625 (41.3)	3.625 (92.1)	5.125 (130.2)	1.708 (43.4)	.347
06	.500 - 20		.281 (7.1)	1.750 (44.5)	2.625 (66.7)	1.000 (25.4)	.034
07	.625 - 24		.375 (9.5)	2.062 (52.4)	2.750 (69.9)	1.062 (27.0)	.047

## X-ON Electronics

Largest Supplier of Electrical and Electronic Components

*Click to view similar products for* [Circular MIL Spec Tools, Hardware & Accessories](#) *category:*

*Click to view products by* [Glenair](#) *manufacturer:*

Other Similar products are found below :

[809-199-3](#) [001104](#) [300 04](#) [600-006-16](#) [600-079-06](#) [M10-101982-143](#) [M10-101982-163](#) [M10-101983-183](#) [M10-150912-083](#) [M10-454396-008](#) [602GB18808](#) [M225201-06](#) [M24758-20E21](#) [M2887610-BC](#) [M2887615-CD](#) [M38999/9-19B](#) [62GB-812-10](#) [630A007NF083A](#) [630B007M051A](#) [630BJ003NF032H](#) [637-149NF04B](#) [M39029/29-215](#) [650FS002NF16](#) [M81969-14-02](#) [660-008NF14S7-01](#) [660-009M22H8-03](#) [660-013NF19U6-210](#) [660-015M10S6-17](#) [660-015NF10S5-01](#) [660-015NF14R3.5-01](#) [660-023NF19H6-19](#) [660-024N09S5-104](#) [660-024NF11S12-01](#) [660-024NF11S3-01](#) [660-050XM17F4-01](#) [660-068NF25R6-30G](#) [660-070M23S8-04](#) [660-073MTCH9-20](#) [M83723/60-116RC](#) [M83723/61-18W](#) [M83723/61-218R](#) [M83723/61-224W](#) [667-224NF16](#) [M85049/118S22A](#) [M85049/126S11N](#) [M85049130-07M](#) [M85049140-09BC](#) [M85049/41-16A W/B](#) [687-697NF-1](#) [M85049/75-14-1](#) [M8504980-8](#)