

AC1020 • 20 Amp Current Transformer

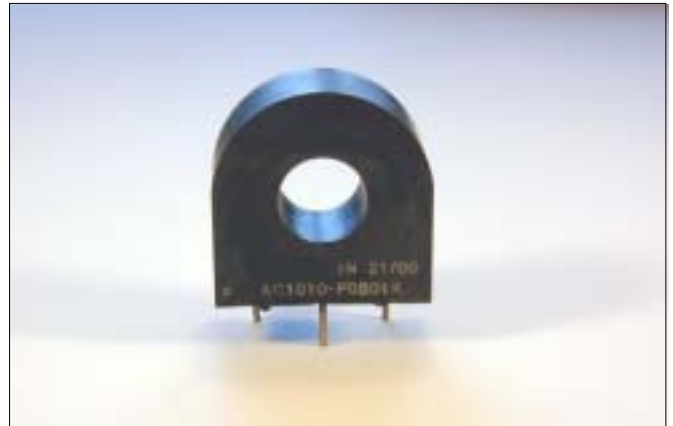
Low Cost 50/60Hz Current Transformers

Applications

- Sensing Overload Current
- Ground fault detection
- Metering
- Analog to Digital Circuits

Electrical Specifications @ 20°C ambient

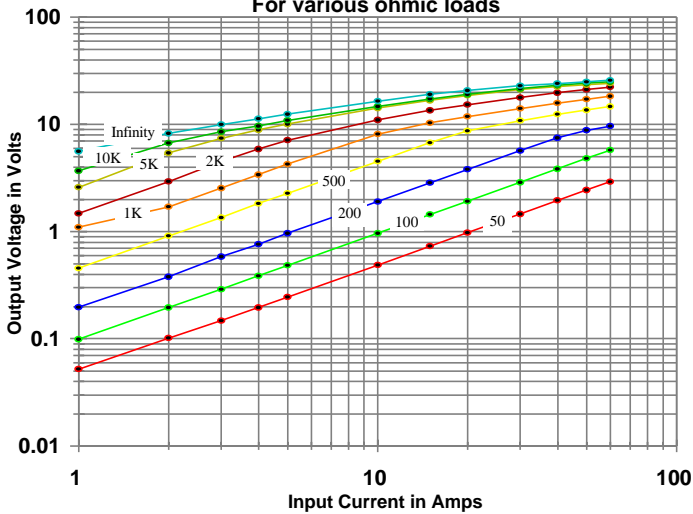
Electrical Specifications	
Primary Current	20A nom., 60 A max.
Turns Ratio	1000:1 nominal
Volt per Amp Ratio at 20A for 100 ohm load	0.100 V/A
Volt per Amp Ratio at 2A for 100 ohm load	0.097 V/A
DC Resistance at 20°C	41.8 ohms
Dielectric Withstanding Voltage (Hi-pot)	4KVrms
Mechanical Specifications	
Case	Polycarbonate
Encapsulant	Epoxy
Flammability	Conforms to UL94-VO
Terminals	Pins Ø 0.80mm
Marking	Date Code (W/Y) AC1020, Dot at start pin
Approximate Weight	16.3 grams
Tolerance	±0.2mm



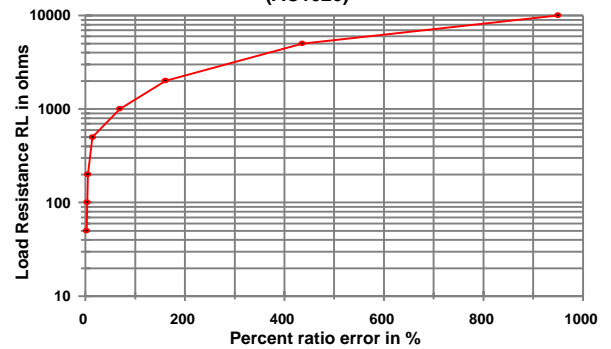
Environmental Specifications

Storage Temperature	-55° to +130°C
Insulation Resistance	100 megohms min.

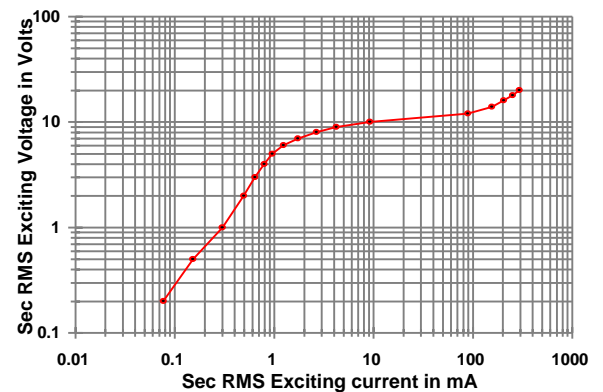
Output Volts vs Input Current For various ohmic loads



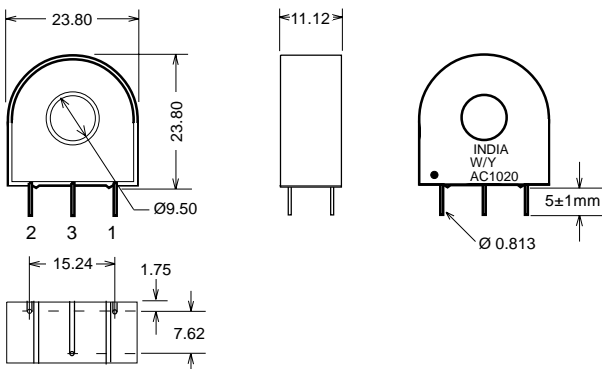
%RE vs RL at Rated primary current (AC1020)



Typical Excitation Curve (AC1005-AC1020)

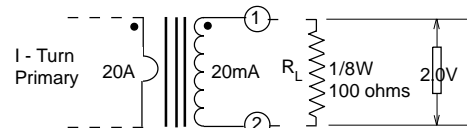


Dimensions



Notes:

- 1) Unless requested, the terminating resistor and the one-turn primary are not supplied
- 2) Pin 3: Normally for mechanical support only but will be used on center tapped designs



X-ON Electronics

Largest Supplier of Electrical and Electronic Components

Click to view similar products for [acme manufacturer](#):

Other Similar products are found below :

[SPS-6012](#) [DM1-12045](#) [100B48H](#) [60B12HA](#) [OVP-21](#) [CPS60-24/28](#) [CPS30-5](#) [SPWS-1217](#) [SPS40-24/28](#) [T-1-81062](#) [SPWD-1218](#) [100B12H](#)
[TA-2-81148](#) [SPWD-30](#) [SD-137362](#) [SPWS-2472](#) [TA-2-81150](#) [SPWT-80](#) [SPWD-1234](#) [SPWS-1530](#) [SPS-1512](#) [SPWD-1530](#) [SPWT-40](#)
[SPWS-1545](#) [XTERM-01](#) [15B24H](#) [ARIETTA-G25](#) [AC-1010](#) [AC-1020](#)