

## 3-Pin Microprocessor Reset Circuits

### General Description

The MAX803/MAX809/MAX810 are microprocessor ( $\mu\text{P}$ ) supervisory circuits used to monitor the power supplies in  $\mu\text{P}$  and digital systems. They provide excellent circuit reliability and low cost by eliminating external components and adjustments when used with +5V, +3.3V, +3.0V, or +2.5V powered circuits.

These circuits perform a single function: they assert a reset signal whenever the  $V_{\text{CC}}$  supply voltage declines below a preset threshold, keeping it asserted for at least 140ms after  $V_{\text{CC}}$  has risen above the reset threshold. Reset thresholds suitable for operation with a variety of supply voltages are available.

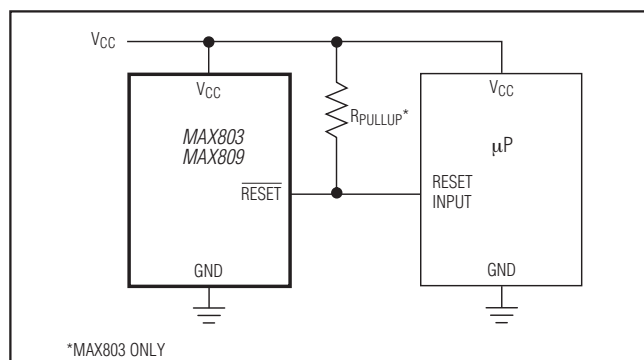
The MAX803 has an open-drain output stage, while the MAX809/MAX810 have push-pull outputs. The MAX803's open-drain RESET output requires a pullup resistor that can be connected to a voltage higher than  $V_{\text{CC}}$ . The MAX803/MAX809 have an active-low RESET output, while the MAX810 has an active-high RESET output. The reset comparator is designed to ignore fast transients on  $V_{\text{CC}}$ , and the outputs are guaranteed to be in the correct logic state for  $V_{\text{CC}}$  down to 1V.

Low supply current makes the MAX803/MAX809/MAX810 ideal for use in portable equipment. The MAX803 is available in a 3-pin SC70 package, and the MAX809/MAX810 are available in 3-pin SC70 or SOT23 packages.

### Applications

Computers  
Controllers  
Intelligent Instruments  
Critical  $\mu\text{P}$  and  $\mu\text{C}$  Power Monitoring  
Portable/Battery-Powered Equipment  
Automotive

### Typical Operating Circuit



### Features

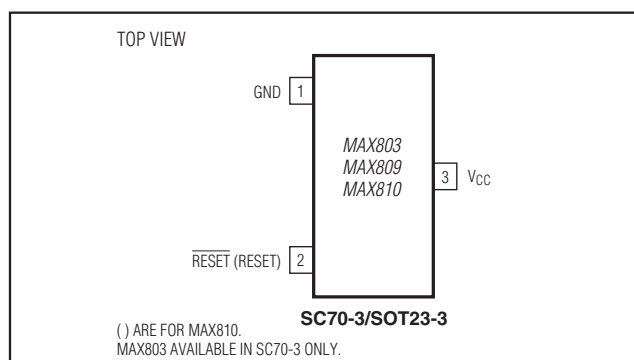
- ◆ Precision Monitoring of +2.5V, +3V, +3.3V, and +5V Power-Supply Voltages
- ◆ Fully Specified Over Temperature
- ◆ Available in Three Output Configurations
  - Open-Drain RESET Output (MAX803)
  - Push-Pull RESET Output (MAX809)
  - Push-Pull RESET Output (MAX810)
- ◆ 140ms min Power-On Reset Pulse Width
- ◆ 12 $\mu\text{A}$  Supply Current
- ◆ Guaranteed Reset Valid to  $V_{\text{CC}} = +1\text{V}$
- ◆ Power Supply Transient Immunity
- ◆ No External Components
- ◆ 3-Pin SC70 and SOT23 Packages

### Ordering Information

| PART          | TEMP RANGE      | PIN-PACKAGE |
|---------------|-----------------|-------------|
| MAX803_EXR-T  | -40°C to +125°C | 3 SC70      |
| MAX803_EXR+T  | -40°C to +125°C | 3 SC70      |
| MAX803_EXR/V+ | -40°C to +125°C | 3 SC70      |
| MAX809_EXR-T  | -40°C to +125°C | 3 SC70      |
| MAX809_EXR+T  | -40°C to +125°C | 3 SC70      |
| MAX809_EUR-T  | -40°C to +105°C | 3 SOT23     |
| MAX809_EUR+T  | -40°C to +105°C | 3 SOT23     |
| MAX810_EXR-T  | -40°C to +125°C | 3 SC70      |
| MAX810_EXR+T  | -40°C to +125°C | 3 SC70      |
| MAX810_EUR-T  | -40°C to +105°C | 3 SOT23     |
| MAX810_EUR+T  | -40°C to +105°C | 3 SOT23     |

**Note:** These parts are offered in 2.5k reels, and must be ordered in 2.5k increments. Insert the desired suffix letter from the Selector Guide into the blank to complete the part number. All versions of these products may not be available at the time of announcement. Contact factory for availability. Devices are available in both leaded and lead-free packaging. +Denotes a lead(Pb)-free/RoHS-compliant package. /V denotes an automotive qualified part.

### Pin Configuration



**For pricing, delivery, and ordering information, please contact Maxim Direct at 1-888-629-4642, or visit Maxim's website at [www.maximintegrated.com](http://www.maximintegrated.com).**

# MAX803/MAX809/MAX810

## 3-Pin Microprocessor Reset Circuits

### ABSOLUTE MAXIMUM RATINGS

Terminal Voltage (with respect to GND)

|  |                                   |
|--|-----------------------------------|
| V <sub>CC</sub> .....                                  | -0.3V to +6.0V                    |
| RESET, $\overline{\text{RESET}}$ (push-pull).....      | -0.3V to (V <sub>CC</sub> + 0.3V) |
| $\overline{\text{RESET}}$ (open drain).....            | -0.3V to +6.0V                    |
| Input Current, V <sub>CC</sub> .....                   | 20mA                              |
| Output Current, RESET, $\overline{\text{RESET}}$ ..... | 20mA                              |
| Rate of Rise, V <sub>CC</sub> .....                    | 100V/ $\mu$ s                     |

Continuous Power Dissipation (T<sub>A</sub> = +70°C)

|  |                 |
|--|-----------------|
| 3-Pin SC70 (derate 2.17mW/°C above +70°C)..... | 174mW           |
| 3-Pin SOT23 (derate 4mW/°C above +70°C).....   | 320mW           |
| Operating Temperature Range                    |                 |
| 3-Pin SC70.....                                | -40°C to +125°C |
| 3-Pin SOT23.....                               | -40°C to +105°C |
| Storage Temperature Range.....                 | -65°C to +150°C |
| Lead Temperature (soldering, 10s).....         | +300°C          |
| Soldering Temperature (reflow).....            | +260°C          |

Stresses beyond those listed under "Absolute Maximum Ratings" may cause permanent damage to the device. These are stress ratings only, and functional operation of the device at these or any other conditions beyond those indicated in the operational sections of the specifications is not implied. Exposure to absolute maximum rating conditions for extended periods may affect device reliability.

### ELECTRICAL CHARACTERISTICS

(V<sub>CC</sub> = full range, T<sub>A</sub> = -40°C to +105°C (SOT23) or T<sub>A</sub> = -40°C to +125°C (SC70), unless otherwise noted. Typical values are at T<sub>A</sub> = +25°C, V<sub>CC</sub> = 5V for L/M/J versions, V<sub>CC</sub> = 3.3V for T/S versions, V<sub>CC</sub> = 3V for R version, and V<sub>CC</sub> = 2.5V for Z version.) (Note 1)

| PARAMETER                  | SYMBOL          | CONDITIONS                                      | MIN                                    | TYP  | MAX  | UNITS   |   |
|----------------------------|-----------------|---|--|------|------|---------|---|
| V <sub>CC</sub> Range      |                 | T <sub>A</sub> = 0°C to +70°C                   | 1.0                                    |      | 5.5  | V       |   |
|                            |                 | T <sub>A</sub> = -40°C to +105°C (MAX8_ _ _EUR) | 1.2                                    |      | 5.5  |         |   |
|                            |                 | T <sub>A</sub> = -40°C to +125°C (MAX8_ _ _EXR) | 1.2                                    |      | 5.5  |         |   |
| Supply Current (SOT23)     | I <sub>CC</sub> | T <sub>A</sub> = -40°C to +85°C                 | V <sub>CC</sub> < 5.5V, MAX8_ _L/M     | 24   | 60   | $\mu$ A |   |
|                            |                 |   | V <sub>CC</sub> < 3.6V, MAX8_ _R/S/T/Z | 17   | 50   |         |   |
|                            |                 | T <sub>A</sub> = +85°C to +105°C                | V <sub>CC</sub> < 5.5V, MAX8_ _L/M     |      | 100  |         |   |
|                            |                 |   | V <sub>CC</sub> < 3.6V, MAX8_ _R/S/T/Z |      | 100  |         |   |
| Supply Current (SC70)      | I <sub>CC</sub> | T <sub>A</sub> = -40°C to +85°C                 | V <sub>CC</sub> < 5.5V, MAX8_ _L/M     | 24   | 35   | $\mu$ A |   |
|                            |                 |   | V <sub>CC</sub> < 3.6V, MAX8_ _R/S/T/Z | 17   | 30   |         |   |
|                            |                 | T <sub>A</sub> = +85°C to +125°C                | V <sub>CC</sub> < 5.5V, MAX8_ _L/M     |      | 60   |         |   |
|                            |                 |   | V <sub>CC</sub> < 3.6V, MAX8_ _R/S/T/Z |      | 60   |         |   |
| Reset Threshold (SOT only) | V <sub>TH</sub> | MAX8_ _L  | T <sub>A</sub> = +25°C                 | 4.56 | 4.63 | 4.70    | V |
|                            |                 |   | T <sub>A</sub> = -40°C to +85°C        | 4.50 |      | 4.75    |   |
|                            |                 |   | T <sub>A</sub> = -40°C to +125°C       | 4.40 |      | 4.86    |   |
|                            |                 | MAX8_ _M  | T <sub>A</sub> = +25°C                 | 4.31 | 4.38 | 4.45    |   |
|                            |                 |   | T <sub>A</sub> = -40°C to +85°C        | 4.25 |      | 4.50    |   |
|                            |                 |   | T <sub>A</sub> = -40°C to +125°C       | 4.16 |      | 4.56    |   |
|                            |                 | MAX809J (SOT only)                              | T <sub>A</sub> = +25°C                 | 3.93 | 4.00 | 4.06    |   |
|                            |                 |   | T <sub>A</sub> = -40°C to +85°C        | 3.89 |      | 4.10    |   |
|                            |                 |   | T <sub>A</sub> = -40°C to +125°C       | 3.80 |      | 4.20    |   |
|                            |                 | MAX8_ _T  | T <sub>A</sub> = +25°C                 | 3.04 | 3.08 | 3.11    |   |
|                            |                 |   | T <sub>A</sub> = -40°C to +85°C        | 3.00 |      | 3.15    |   |
|                            |                 |   | T <sub>A</sub> = -40°C to +125°C       | 2.92 |      | 3.23    |   |
|                            |                 | MAX8_ _S  | T <sub>A</sub> = +25°C                 | 2.89 | 2.93 | 2.96    |   |
|                            |                 |   | T <sub>A</sub> = -40°C to +85°C        | 2.85 |      | 3.00    |   |
|                            |                 |   | T <sub>A</sub> = -40°C to +125°C       | 2.78 |      | 3.08    |   |
|                            |                 | MAX8_ _R  | T <sub>A</sub> = +25°C                 | 2.59 | 2.63 | 2.66    |   |
|                            |                 |   | T <sub>A</sub> = -40°C to +85°C        | 2.55 |      | 2.70    |   |
|                            |                 |   | T <sub>A</sub> = -40°C to +125°C       | 2.50 |      | 2.76    |   |

# MAX803/MAX809/MAX810

## 3-Pin Microprocessor Reset Circuits

### ELECTRICAL CHARACTERISTICS (continued)

( $V_{CC}$  = full range,  $T_A$  = -40°C to +105°C (SOT23) or  $T_A$  = -40°C to +125°C (SC70), unless otherwise noted. Typical values are at  $T_A$  = +25°C,  $V_{CC}$  = 5V for L/M/J versions,  $V_{CC}$  = 3.3V for T/S versions,  $V_{CC}$  = 3V for R version, and  $V_{CC}$  = 2.5V for Z version.) (Note 1)

| PARAMETER  | SYMBOL                  | CONDITIONS  | MIN                     | TYP      | MAX  | UNITS  |   |
|--|-------------------------|---|-------------------------|----------|------|--------|---|
| Reset Threshold<br>(SC70 only)   | $V_{TH}$                | MAX8_ _L  | $T_A$ = +25°C           | 4.56     | 4.63 | 4.70   | V |
|  |                         |   | $T_A$ = -40°C to +85°C  | 4.50     |      | 4.75   |   |
|  |                         |   | $T_A$ = -40°C to +125°C | 4.44     |      | 4.82   |   |
|  |                         | MAX8_ _M  | $T_A$ = +25°C           | 4.31     | 4.38 | 4.45   |   |
|  |                         |   | $T_A$ = -40°C to +85°C  | 4.25     |      | 4.50   |   |
|  |                         |   | $T_A$ = -40°C to +125°C | 4.20     |      | 4.56   |   |
|  |                         | MAX8_ _T  | $T_A$ = +25°C           | 3.04     | 3.08 | 3.11   |   |
|  |                         |   | $T_A$ = -40°C to +85°C  | 3.00     |      | 3.15   |   |
|  |                         |   | $T_A$ = -40°C to +125°C | 2.95     |      | 3.21   |   |
|  |                         | MAX8_ _S  | $T_A$ = +25°C           | 2.89     | 2.93 | 2.96   |   |
|  |                         |   | $T_A$ = -40°C to +85°C  | 2.85     |      | 3.00   |   |
|  |                         |   | $T_A$ = -40°C to +125°C | 2.81     |      | 3.05   |   |
|  |                         | MAX8_ _R  | $T_A$ = +25°C           | 2.59     | 2.63 | 2.66   |   |
|  |                         |   | $T_A$ = -40°C to +85°C  | 2.55     |      | 2.70   |   |
|  |                         |   | $T_A$ = -40°C to +125°C | 2.52     |      | 2.74   |   |
| MAX8_ _Z<br>(SC70 only)  | $T_A$ = +25°C           | 2.28  | 2.32                    | 2.35     |      |        |   |
|  | $T_A$ = -40°C to +85°C  | 2.25  |                         | 2.38     |      |        |   |
|  | $T_A$ = -40°C to +125°C | 2.22  |                         | 2.42     |      |        |   |
| Reset Threshold Tempco   |                         |   | 30                      |          |      | ppm/°C |   |
| $V_{CC}$ to Reset Delay (Note 2)   |                         | $V_{CC} = V_{TH}$ to ( $V_{TH} - 100$ mV)                                     |                         | 20       |      | μs     |   |
| Reset Active Timeout Period<br>(SOT23)   |                         | $T_A$ = -40°C to +85°C  | 140                     | 240      | 560  | ms     |   |
|  |                         | $T_A$ = +85°C to +105°C   | 100                     |          | 840  |        |   |
| Reset Active Timeout Period<br>(SC70)  |                         | $T_A$ = -40°C to +85°C  | 140                     | 240      | 460  | ms     |   |
|  |                         | $T_A$ = +85°C to +125°C   | 100                     |          | 840  |        |   |
| $\overline{RESET}$ Output Voltage Low<br>(push-pull active low and open-drain active low, MAX803 and MAX809) | $V_{OL}$                | $V_{CC} = V_{TH}$ min, $I_{SINK} = 1.2$ mA,<br>MAX803R/S/T/Z, MAX809R/S/T/Z   |                         |          | 0.3  | V      |   |
|  |                         | $V_{CC} = V_{TH}$ min, $I_{SINK} = 3.2$ mA,<br>MAX803L/M, MAX809J/L/M         |                         |          | 0.4  |        |   |
|  |                         | $V_{CC} > 1.0$ V, $I_{SINK} = 50$ μA  |                         |          | 0.3  |        |   |
| $\overline{RESET}$ Output Voltage High<br>(push-pull active low MAX809)                                      | $V_{OH}$                | $V_{CC} > V_{TH}$ max, $I_{SOURCE} = 500$ μA,<br>MAX803R/S/T/Z, MAX809R/S/T/Z | 0.8                     | $V_{CC}$ |      | V      |   |
|  |                         | $V_{CC} > V_{TH}$ max, $I_{SOURCE} = 800$ μA,<br>MAX803L/M, MAX809J/L/M       | $V_{CC} - 1.5$          |          |      |        |   |
| RESET Output Voltage Low<br>(push-pull active high, MAX810)  | $V_{OL}$                | $V_{CC} = V_{TH}$ max, $I_{SINK} = 1.2$ mA,<br>MAX810R/S/T/Z                  |                         |          | 0.3  | V      |   |
|  |                         | $V_{CC} = V_{TH}$ max, $I_{SINK} = 3.2$ mA,<br>MAX810L/M                      |                         |          | 0.4  |        |   |

# MAX803/MAX809/MAX810

## 3-Pin Microprocessor Reset Circuits

### ELECTRICAL CHARACTERISTICS (continued)

( $V_{CC}$  = full range,  $T_A$  =  $-40^{\circ}\text{C}$  to  $+105^{\circ}\text{C}$  (SOT23) or  $T_A$  =  $-40^{\circ}\text{C}$  to  $+125^{\circ}\text{C}$  (SC70), unless otherwise noted. Typical values are at  $T_A$  =  $+25^{\circ}\text{C}$ ,  $V_{CC}$  = 5V for L/M/J versions,  $V_{CC}$  = 3.3V for T/S versions,  $V_{CC}$  = 3V for R version, and  $V_{CC}$  = 2.5V for Z version.) (Note 1)

| PARAMETER   | SYMBOL   | CONDITIONS   | MIN         | TYP | MAX | UNITS         |
|---|----------|--|-------------|-----|-----|---------------|
| RESET Output Voltage High (push-pull active high, MAX810) | $V_{OH}$ | $1.8\text{V} < V_{CC} < V_{TH}$ min, $I_{SOURCE} = 150\mu\text{A}$ | $0.8V_{CC}$ |     |     | V             |
| RESET Open-Drain Output Leakage Current (MAX803) (Note 3) |          | $V_{CC} > V_{TH}$ , RESET deasserted                               |             |     | 1   | $\mu\text{A}$ |

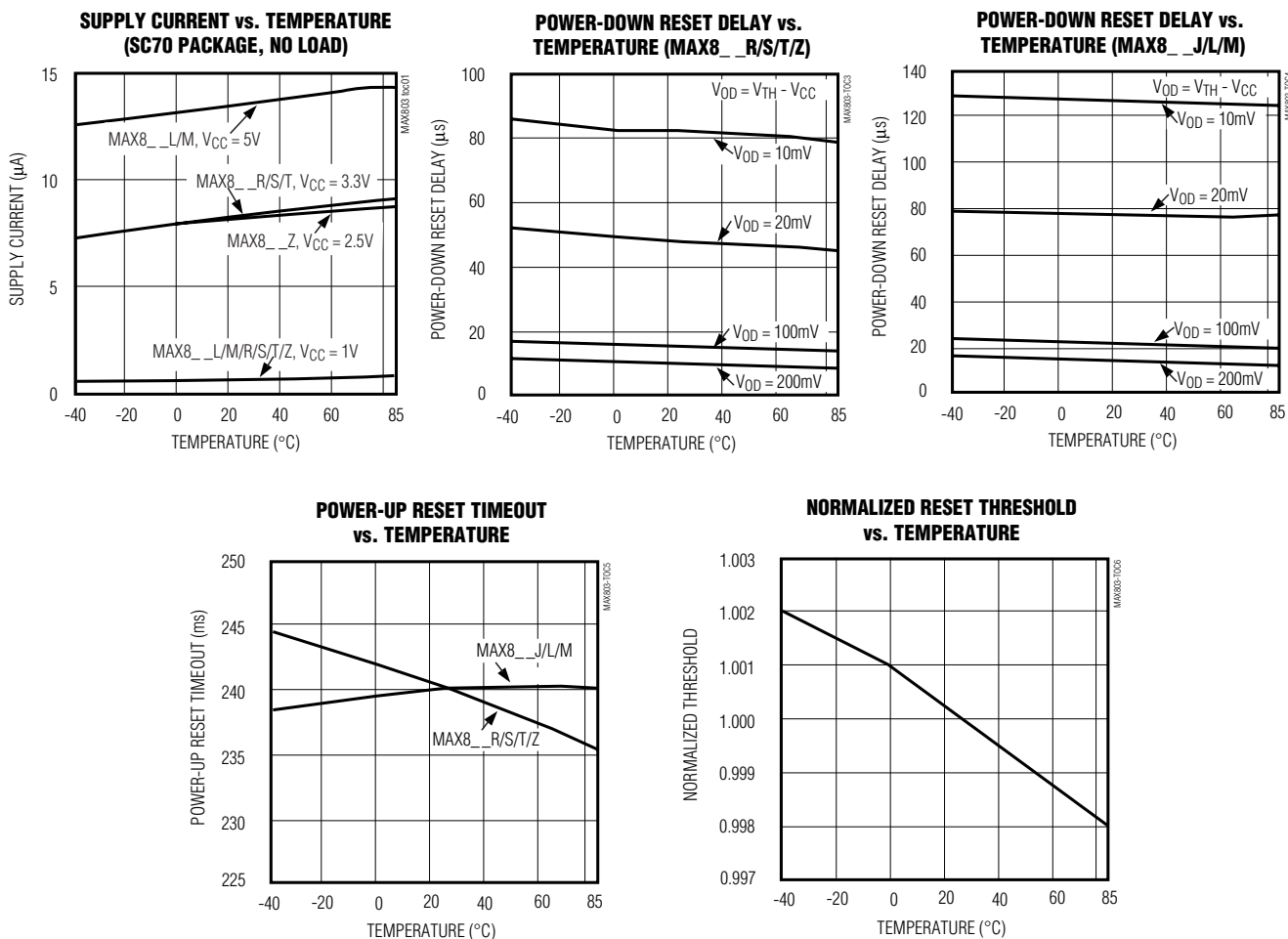
**Note 1:** Production testing done at  $T_A$  =  $+25^{\circ}\text{C}$ ; limits over temperature guaranteed by design only.

**Note 2:**  $\overline{\text{RESET}}$  output for MAX803/MAX809; RESET output for MAX810.

**Note 3:** Guaranteed by design, not production tested.

### Typical Operating Characteristics

( $V_{CC}$  = full range,  $T_A$  =  $-40^{\circ}\text{C}$  to  $+105^{\circ}\text{C}$ , unless otherwise noted. Typical values are at  $T_A$  =  $+25^{\circ}\text{C}$ ,  $V_{CC}$  = +5V for L/M/J versions,  $V_{CC}$  = +3.3V for T/S versions,  $V_{CC}$  = +3V for R version, and  $V_{CC}$  = +2.5V for Z version.)



# MAX803/MAX809/MAX810

## 3-Pin Microprocessor Reset Circuits

### Selector Guide

| PART/SUFFIX | RESET THRESHOLD (V) | OUTPUT TYPE                          | TOP MARK |      |
|-------------|---------------------|--------------------------------------|----------|------|
|             |                     |                                      | SOT      | SC70 |
| MAX803L     | 4.63                | OPEN-DRAIN $\overline{\text{RESET}}$ | —        | AAZ  |
| MAX803M     | 4.38                | OPEN-DRAIN $\overline{\text{RESET}}$ | —        | ABA  |
| MAX803T     | 3.08                | OPEN-DRAIN $\overline{\text{RESET}}$ | —        | ABB  |
| MAX803S     | 2.93                | OPEN-DRAIN $\overline{\text{RESET}}$ | —        | ABC  |
| MAX803R     | 2.63                | OPEN-DRAIN $\overline{\text{RESET}}$ | —        | ABD  |
| MAX803Z     | 2.32                | OPEN-DRAIN $\overline{\text{RESET}}$ | —        | ABE  |
| MAX809L     | 4.63                | PUSH-PULL $\overline{\text{RESET}}$  | AAAA     | AAN  |
| MAX809M     | 4.38                | PUSH-PULL $\overline{\text{RESET}}$  | ABAA     | AAO  |
| MAX809J     | 4.00                | PUSH-PULL $\overline{\text{RESET}}$  | CWAA     | —    |
| MAX809T     | 3.08                | PUSH-PULL $\overline{\text{RESET}}$  | ACAA     | AAP  |
| MAX809S     | 2.93                | PUSH-PULL $\overline{\text{RESET}}$  | ADAA     | AAQ  |
| MAX809R     | 2.63                | PUSH-PULL $\overline{\text{RESET}}$  | AFAA     | AAR  |
| MAX809Z     | 2.32                | PUSH-PULL $\overline{\text{RESET}}$  | —        | AAS  |
| MAX810L     | 4.63                | PUSH-PULL $\overline{\text{RESET}}$  | AGAA     | AAT  |
| MAX810M     | 4.38                | PUSH-PULL $\overline{\text{RESET}}$  | AHAA     | AAU  |
| MAX810T     | 3.08                | PUSH-PULL $\overline{\text{RESET}}$  | AJAA     | AAV  |
| MAX810S     | 2.93                | PUSH-PULL $\overline{\text{RESET}}$  | AKAA     | AAX  |
| MAX810R     | 2.63                | PUSH-PULL $\overline{\text{RESET}}$  | ALAA     | AAW  |
| MAX810Z     | 2.32                | PUSH-PULL $\overline{\text{RESET}}$  | —        | AAZ  |

### Detailed Description

A microprocessor's ( $\mu\text{P}$ 's) reset input starts the  $\mu\text{P}$  in a known state. The MAX803/MAX809/MAX810 assert reset to prevent code-execution errors during power-up, power-down, or brownout conditions. They assert a reset signal whenever the  $V_{\text{CC}}$  supply voltage declines below a preset threshold, keeping it asserted for at least 140ms after  $V_{\text{CC}}$  has risen above the reset threshold. The MAX803 uses an open-drain output, and the MAX809/MAX810 have a push-pull output stage. Connect a pullup resistor on the MAX803's  $\overline{\text{RESET}}$  output to any supply between 0 and 6V.

### Pin Description

| PIN | NAME   | FUNCTION   |
|-----|--|--|
| 1   | GND  | Ground   |
| 2   | $\overline{\text{RESET}}$<br>(MAX803/<br>MAX809) | $\overline{\text{RESET}}$ Output remains low while $V_{\text{CC}}$ is below the reset threshold, and for at least 140ms after $V_{\text{CC}}$ rises above the reset threshold. |
|     | RESET<br>(MAX810)                                | RESET Output remains high while $V_{\text{CC}}$ is below the reset threshold, and for at least 140ms after $V_{\text{CC}}$ rises above the reset threshold.                    |
| 3   | $V_{\text{CC}}$                                  | Supply Voltage (+5V, +3.3V, +3.0V, or +2.5V)   |

### Applications Information

#### Negative-Going $V_{\text{CC}}$ Transients

In addition to issuing a reset to the  $\mu\text{P}$  during power-up, power-down, and brownout conditions, the MAX803/MAX809/MAX810 are relatively immune to short-duration negative-going  $V_{\text{CC}}$  transients (glitches).

Figure 1 shows typical transient duration vs. reset comparator overdrive, for which the MAX803/MAX809/MAX810 do **not** generate a reset pulse. The graph was generated using a negative-going pulse applied to  $V_{\text{CC}}$ , starting 0.5V above the actual reset threshold and ending below it by the magnitude indicated (reset comparator overdrive). The graph indicates the maximum pulse width a negative-going  $V_{\text{CC}}$  transient can have without causing a reset pulse. As the magnitude of the transient increases (goes farther below the reset threshold), the maximum allowable pulse width decreases. Typically, for the MAX8\_\_L and MAX8\_\_M, a  $V_{\text{CC}}$  transient that goes 100mV below the reset threshold and lasts 20 $\mu\text{s}$  or less will not cause a reset pulse. A 0.1 $\mu\text{F}$  bypass capacitor mounted as close as possible to the  $V_{\text{CC}}$  pin provides additional transient immunity.

#### Ensuring a Valid Reset Output Down to $V_{\text{CC}} = 0\text{V}$

When  $V_{\text{CC}}$  falls below 1V, the MAX809  $\overline{\text{RESET}}$  output no longer sinks current—it becomes an open circuit.

# MAX803/MAX809/MAX810

## 3-Pin Microprocessor Reset Circuits

Therefore, high-impedance CMOS logic inputs connected to  $\overline{\text{RESET}}$  can drift to undetermined voltages. This presents no problem in most applications since most  $\mu\text{P}$  and other circuitry is inoperative with  $V_{\text{CC}}$  below 1V. However, in applications where  $\overline{\text{RESET}}$  must be valid down to 0V, adding a pull-down resistor to  $\overline{\text{RESET}}$  causes any stray leakage currents to flow to ground, holding  $\overline{\text{RESET}}$  low (Figure 2). R1's value is not critical; 100k $\Omega$  is large enough not to load  $\overline{\text{RESET}}$  and small enough to pull  $\overline{\text{RESET}}$  to ground.

A 100k $\Omega$  pullup resistor to  $V_{\text{CC}}$  is also recommended for the MAX810 if  $\overline{\text{RESET}}$  is required to remain valid for  $V_{\text{CC}} < 1\text{V}$ .

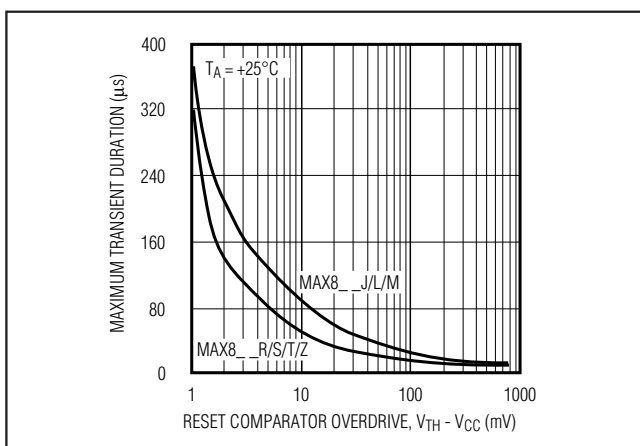


Figure 1. Maximum Transient Duration Without Causing a Reset Pulse vs. Reset Comparator Overdrive

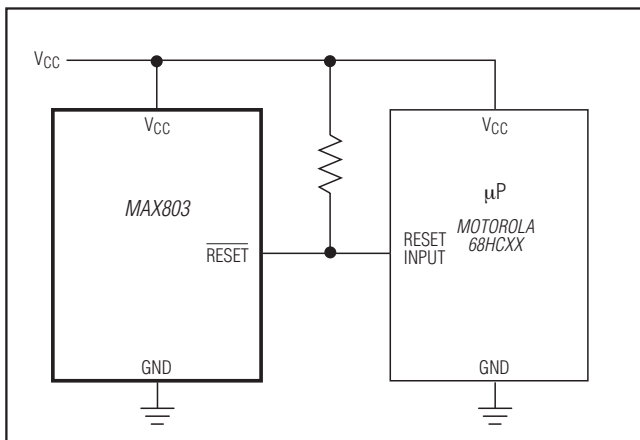


Figure 3. Interfacing to  $\mu\text{Ps}$  with Bidirectional Reset I/O

### Interfacing to $\mu\text{Ps}$ with Bidirectional Reset Pins

Since the  $\overline{\text{RESET}}$  output on the MAX803 is open drain, this device interfaces easily with  $\mu\text{Ps}$  that have bidirectional reset pins, such as the Motorola 68HC11. Connecting the  $\mu\text{P}$  supervisor's  $\overline{\text{RESET}}$  output directly to the microcontroller's ( $\mu\text{C}$ 's)  $\overline{\text{RESET}}$  pin with a single pullup resistor allows either device to assert reset (Figure 3).

### MAX803 Open-Drain $\overline{\text{RESET}}$ Output Allows Use with Multiple Supplies

Generally, the pullup connected to the MAX803 will connect to the supply voltage that is being monitored at the IC's  $V_{\text{CC}}$  pin. However, some systems may use the open-drain output to level-shift from the monitored supply to reset circuitry powered by some other supply (Figure 4). Note that as the MAX803's  $V_{\text{CC}}$  decreases

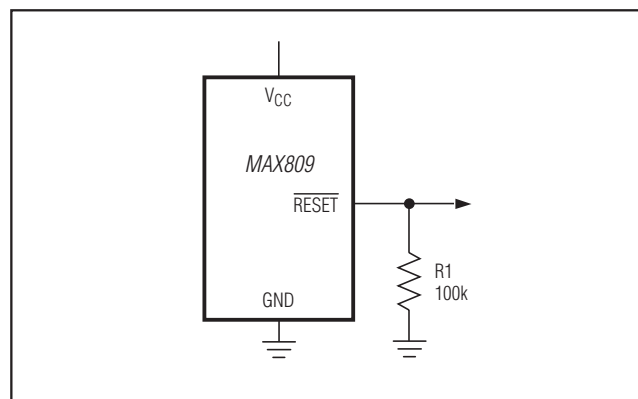


Figure 2.  $\overline{\text{RESET}}$  Valid to  $V_{\text{CC}} = \text{Ground}$  Circuit

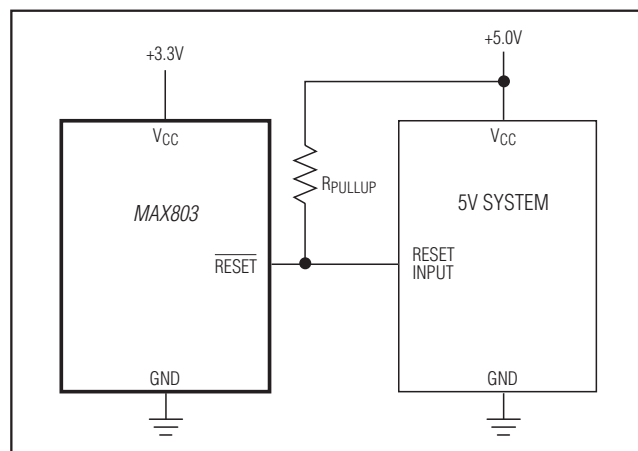


Figure 4. MAX803 Open-Drain  $\overline{\text{RESET}}$  Output Allows Use with Multiple Supplies

# MAX803/MAX809/MAX810

## 3-Pin Microprocessor Reset Circuits

below 1V, so does the IC's ability to sink current at  $\overline{\text{RESET}}$ . Also, with any pullup,  $\overline{\text{RESET}}$  will be pulled high as  $V_{CC}$  decays toward 0. The voltage where this occurs depends on the pullup resistor value and the voltage to which it is connected.

### **Benefits of Highly Accurate Reset Threshold**

Most  $\mu\text{P}$  supervisor ICs have reset threshold voltages between 5% and 10% below the value of nominal supply voltages. This ensures a reset will **not** occur within 5% of the nominal supply, but **will** occur when the supply is 10% below nominal.

When using ICs rated at only the nominal supply  $\pm 5\%$ , this leaves a zone of uncertainty where the supply is between 5% and 10% low, and where the reset may or may not be asserted.

The MAX8\_L/T/Z use highly accurate circuitry to ensure that reset is asserted close to the 5% limit, and long before the supply has declined to 10% below nominal.

### **Chip Information**

TRANSISTOR COUNT: 275 (SOT23)  
380 (SC70)

### **Package Information**

For the latest package outline information and land patterns (footprints), go to [www.maximintegrated.com/packages](http://www.maximintegrated.com/packages). Note that a "+", "#", or "-" in the package code indicates RoHS status only. Package drawings may show a different suffix character, but the drawing pertains to the package regardless of RoHS status.

| PACKAGE TYPE | PACKAGE CODE | DOCUMENT NO.            |
|--------------|--------------|-------------------------|
| 3 SC70       | X3-2         | <a href="#">21-0075</a> |
| 3 SOT23      | U3-1         | <a href="#">21-0051</a> |

# MAX803/MAX809/MAX810

## 3-Pin Microprocessor Reset Circuits

### Revision History

| REVISION NUMBER | REVISION DATE | DESCRIPTION  | PAGES CHANGED |
|-----------------|---------------|--|---------------|
| 0               | 12/94         | Initial release.   | —             |
| 7               | 2/10          | Updated <i>Ordering information</i> , added lead-free note, and added soldering temperature in the <i>Absolute Maximum Ratings</i> . | 1, 2          |
| 8               | 12/12         | Added MAX803_EXR/V+ to <i>Ordering Information</i>   | 1             |



Maxim Integrated cannot assume responsibility for use of any circuitry other than circuitry entirely embodied in a Maxim Integrated product. No circuit patent licenses are implied. Maxim Integrated reserves the right to change the circuitry and specifications without notice at any time. The parametric values (min and max limits) shown in the Electrical Characteristics table are guaranteed. Other parametric values quoted in this data sheet are provided for guidance.



## X-ON Electronics

Largest Supplier of Electrical and Electronic Components

*Click to view similar products for [maxim](#) manufacturer:*

Other Similar products are found below :

[MAX9709EVKIT](#) [MAX17049G+](#) [MAX14920ECB+](#) [ICL7135CPI2](#) [ICM7212AMIPL+](#) [8100604EA](#) [5962-89877012C](#) [STM1E-SFP08](#)  
[MAXREFDES99#](#) [MAXREFDES39#](#) [MAXREFDES116C#](#) [MAX9979EVKIT](#) [MAX9921EVKIT](#) [MAX98357EVSYS#TQFN](#)  
[MAX9724AEVKIT+](#) [MAX96706COAXEVKIT#](#) [MAX9282ACOAXEVKIT#](#) [MAX8614BETD+T](#) [MAXWSNENV#](#) [MAXREFDES44#](#)  
[MAXREFDES116B#](#) [MAXREFDES114B#](#) [MAX9967BRCCQ+D](#) [MAX7036EVKIT-315+](#) [MAX96711COAXEVKIT#](#)  
[MAX96707COAXEVKIT#](#) [MAX9268EVKIT+](#) [MAX8601EVKIT](#) [MAX6303ESA+](#) [MAX5825AEVKIT#](#) [MAX7044EVKIT-315](#)  
[MAX7033EVKIT-433](#) [MAX6956ATL+](#) [MAX5033CUPA+](#) [MAX4662CAE](#) [MAX5432EVKIT+](#) [MAX4411EVKIT](#) [MX7847JR+](#)  
[MAX4333EUB+](#) [MAX414ESD+](#) [MAX5035EVKIT](#) [MAX5022EVKIT](#) [MAX40100EVKIT#](#) [MAX3815AHDMIEVKIT+](#) [MAX3740AETG+](#)  
[MAX4886EVKIT+](#) [MAX4662CPE+](#) [MAX32620-EVKIT#](#) [MAX4461TESA+](#) [MAX3226EETE+](#)