



Main

Range of product	Modicon M340 automation platform
Product or component type	Mixed analog I/O module
Electrical connection	1 connector 20 ways
Input output isolation	Non isolated
Input level	High level
Analogue input number	4
Analogue input type	Voltage 1...5 V Voltage 0...5 V Voltage 0...10 V Voltage +/- 10 V Current 4...20 mA Current 0...20 mA

Complementary

Analogue input resolution	14 bits +/- 10 V 13 bits 0...10 V 12 bits 4...20 mA 12 bits 1...5 V 12 bits 0...5 V 12 bits 0...20 mA
Permitted overload on inputs	+/- 30 V 1...5 V +/- 30 V 0...5 V +/- 30 V 0...10 V +/- 30 V +/- 10 V +/- 30 mA 4...20 mA +/- 30 mA 0...20 mA
Internal conversion resistor	250 Ohm
Precision of internal conversion resistor	0.1 % - 15 ppm/°C
Type of filter	First order digital filtering by firmware
Fast read cycle time	1 ms + 1 ms x number of channels used
Nominal read cycle time	5 ms for 4 channels
Measurement error	0.35 % of full scale 4...20 mA 25 °C 0.35 % of full scale 0...20 mA 25 °C 0.25 % of full scale 1...5 V 25 °C 0.25 % of full scale 0...5 V 25 °C 0.25 % of full scale 0...10 V 25 °C 0.25 % of full scale +/- 10 V +/- 10 V 25 °C <= 0.6 % of full scale 4...20 mA 0...60 °C <= 0.6 % of full scale 0...20 mA 0...60 °C <= 0.6 % of full scale +/- 10 V 0...60 °C <= 0.5 % of full scale 4...20 mA 0...60 °C <= 0.5 % of full scale 0...20 mA 0...60 °C <= 0.35 % of full scale 1...5 V 0...60 °C <= 0.35 % of full scale 0...5 V 0...60 °C <= 0.35 % of full scale 0...10 V 0...60 °C <= 0.35 % of full scale +/- 10 V 0...60 °C 0.25 % of full scale 4...20 mA 25 °C 0.25 % of full scale 0...20 mA 25 °C
Temperature drift	50 ppm/°C 4...20 mA 50 ppm/°C 0...20 mA 30 ppm/°C 1...5 V 30 ppm/°C 0...5 V 30 ppm/°C 0...10 V 30 ppm/°C +/- 10 V 100 ppm/°C 4...20 mA 100 ppm/°C 0...20 mA 100 ppm/°C +/- 10 V
Recalibration	Factory calibrated on outputs Internal on inputs

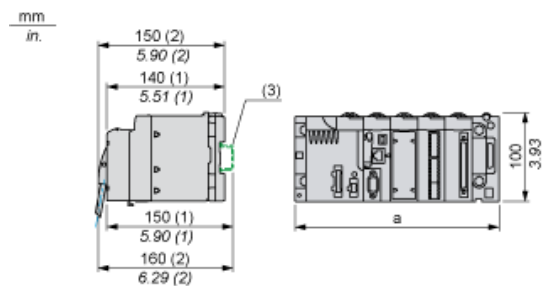
Isolation voltage	750 V DC between group of I/O channels 1400 V DC between channels and bus 1400 V DC between channels and ground
Output level	High level
Analogue output number	2
Analogue output type	Voltage +/- 10 V Current 4...20 mA Current 0...20 mA
Analogue output resolution	12 bits +/- 10 V 11 bits 4...20 mA 11 bits 0...20 mA
Conversion time	<= 2 ms
Maximum conversion value	0...30 mA 4...20 mA 0...30 mA 0...20 mA 0...24 mA 4...20 mA 0...24 mA 0...20 mA +/- 11.25 V 1...5 V +/- 11.25 V 0...5 V +/- 11.25 V 0...10 V +/- 11.25 V +/- 10 V +/- 10 V
Fallback mode	Configurable Predefined
Status LED	1 LED red I/O 1 LED red ERR 1 LED per channel green channel diagnostic 1 LED green RUN
Product weight	0.155 kg
Current consumption	130 mA at 24 V DC 150 mA at 3.3 V DC

Environment

Ambient air temperature for operation	0...60 °C
Relative humidity	10...95 % without condensation
IP degree of protection	IP20
Protective treatment	TC

Modules Mounted on Racks

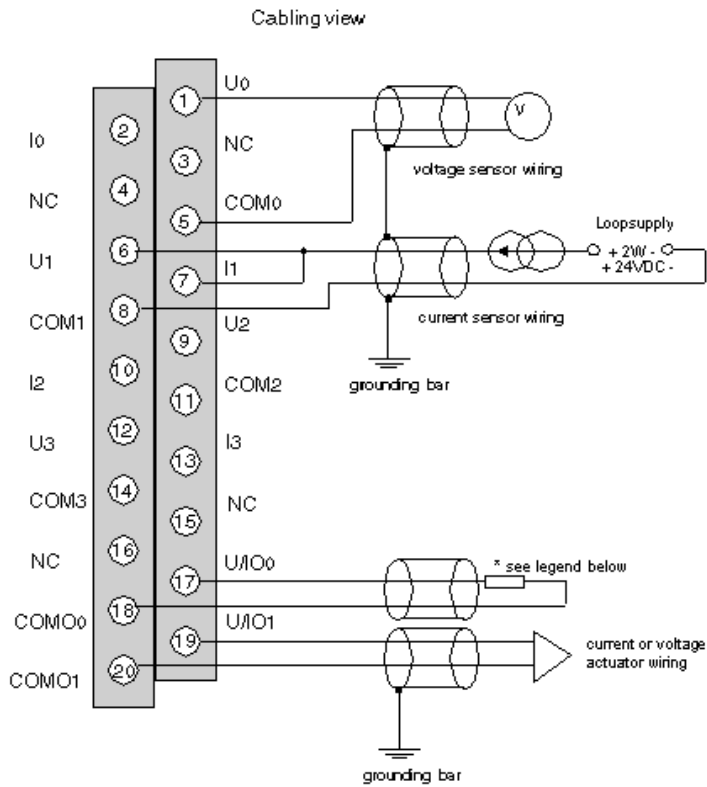
Dimensions



- (1) With removable terminal block (cage, screw or spring).
- (2) With FCN connector.
- (3) On AM1 ED rail: 35 mm wide, 15 mm deep. Only possible with BMXXBP0400/0400H/0600/0600H/0800/0800H rack.

Rack references	a in mm	a in in.
BMXXBP0400 and BMXXBP0400H	242.4	09.54
BMXXBP0600 and BMXXBP0600H	307.6	12.11
BMXXBP0800 and BMXXBP0800H	372.8	14.68
BMXXBP1200 and BMXXBP1200H	503.2	19.81

Wiring Diagram



Ux + pole input for channel x

COMx pole input for channel x

U/ + pole output for channel x

IOx

COM0 pole output for channel x

* The current loop is self-powered by the output and does not request any external supply.

X-ON Electronics

Largest Supplier of Electrical and Electronic Components

Click to view similar products for [schneider manufacturer](#):

Other Similar products are found below :

[LU9M1](#) [7D](#) [7S](#) [7XA1](#) [FNQR2](#) [8501RS44V24](#) [8501RSD14P14V51](#) [8501XO20V03Y414](#) [9001KXRK](#) [9001SKR9P35RH25](#) [9001SKT35L31](#)
[9003K2C003GA](#) [9007AA1](#) [9007BA1](#) [9007C54D](#) [9007C62A2](#) [9007CA11](#) [9007FA3](#) [9007HA4](#) [9007HA6](#) [9007KA1](#) [9007KB11](#)
[9007MS01S0206](#) [9007MS02S0300](#) [9012GAR4](#) [9012GAW2](#) [9012GBW1](#) [9012GDW5E3](#) [9012GFW1](#) [9012GNG1](#) [9012GNG3](#) [9012GNG6](#)
[9013FHG39J69](#) [9013GHG2J30](#) [9050JCK2F30V14](#) [GV2ME04](#) [GV2ME10](#) [GV2ME14](#) [GV2ME20](#) [GV2ME32](#) [GV2P08](#) [GV2P10](#) [GV2P16](#)
[GV2P20](#) [GV2P21](#) [GV2RT07](#) [GV2RT21](#) [GVAN11](#) [GVAN20](#) [GZ1E02](#)