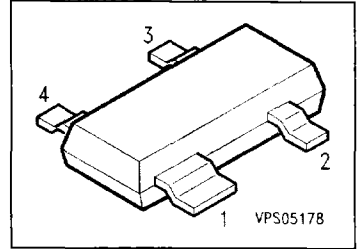


Silicon PIN Diodes

BAR 60
BAR 61

- RF switch
- RF attenuator for frequencies above 10 MHz



Type	Marking	Ordering Code (tape and reel)	Pin Configuration	Package ¹⁾
BAR 60	60	Q62702-A786		SOT-143
BAR 61	61	Q62702-A120		

Maximum Ratings per Diode

Parameter	Symbol	Values	Unit
Reverse voltage	V_R	100	V
Forward current	I_F	140	mA
Total power dissipation, $T_s \leq 65^\circ\text{C}^2)$	P_{tot}	250	mW
Junction temperature	T_j	150	°C
Storage temperature range	T_{stg}	- 55 ... + 150	
Operating temperature range	T_{op}	- 55 ... + 150	

Thermal Resistance

Junction - ambient ²⁾	$R_{th,JA}$	≤ 580	K/W
Junction - soldering point	$R_{th,JS}$	≤ 340	

¹⁾ For detailed information see chapter *Package Outlines*.

²⁾ Package mounted on alumina 15 mm × 16.7 mm × 0.7 mm.

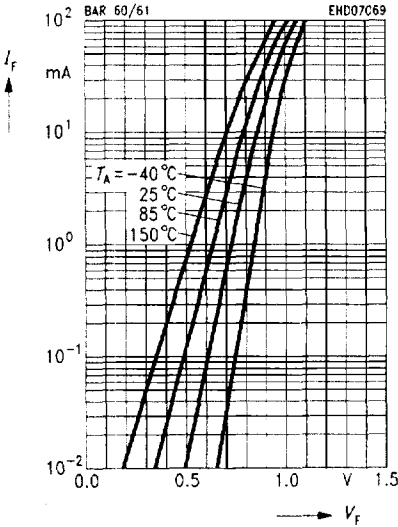
Electrical Characteristics per Diode
at $T_A = 25\text{ }^\circ\text{C}$, unless otherwise specified.

Parameter	Symbol	Values			Unit
		min.	typ.	max.	

DC/AC Characteristics

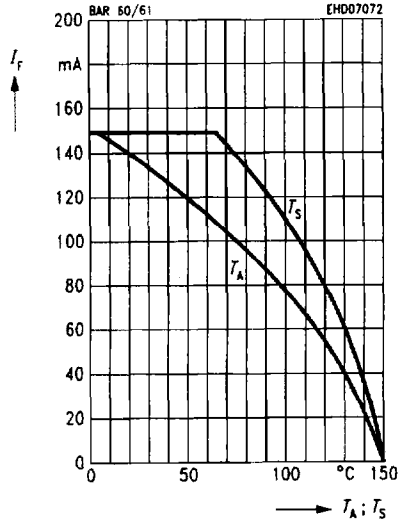
Reverse current $V_R = 50\text{ V}$ $V_R = 100\text{ V}$	I_R	– –	– –	100 1	nA μA
Forward voltage $I_F = 100\text{ mA}$	V_F	–	–	1.25	V
Diode capacitance $V_R = 50\text{ V}, f = 1\text{ MHz}$ $V_R = 0, f = 100\text{ MHz}$	C_T	– –	0.25 0.2	0.5 –	pF
Zero bias conductance $V_R = 0, f = 100\text{ MHz}$	g_p	–	50	–	μS
Charge carrier life time $I_F = 10\text{ mA}, I_R = 6\text{ mA}$	τ	–	1	–	μs
Differential forward resistance $f = 100\text{ MHz}, I_F = 0.01\text{ mA}$ $I_F = 0.1\text{ mA}$ $I_F = 1.0\text{ mA}$ $I_F = 10\text{ mA}$	r	– – – –	2800 380 45 7	– – – –	Ω

Forward current $I_F = f(V_F)$



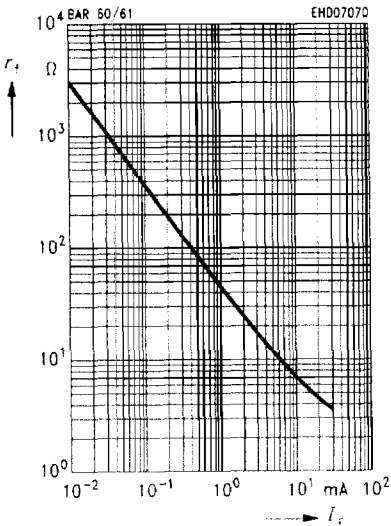
Forward current $I_F = f(T_S; T_A^*)$

*Package mounted on alumina

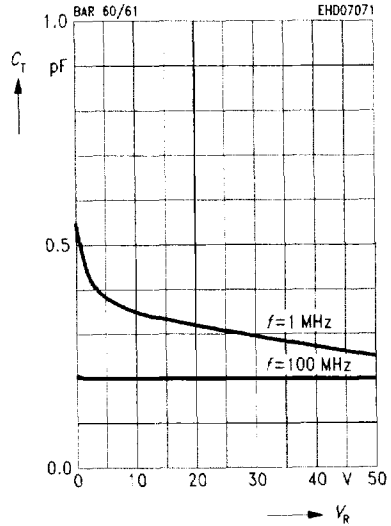


Forward resistance $r_f = f(I_F)$

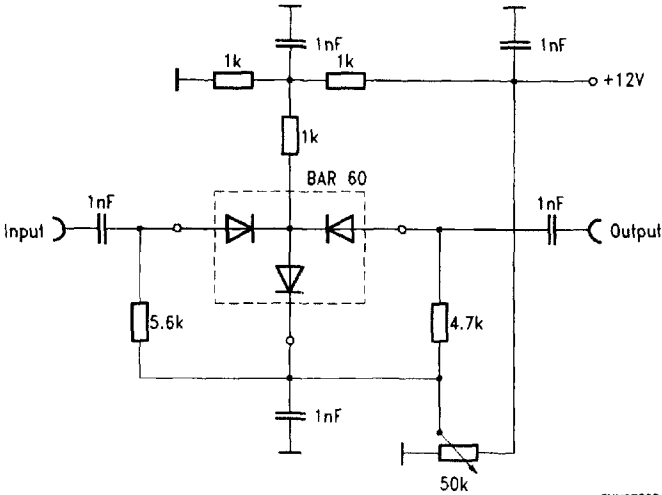
$f = 100 \text{ MHz}$



Diode capacitance $C_T = f(V_R)$

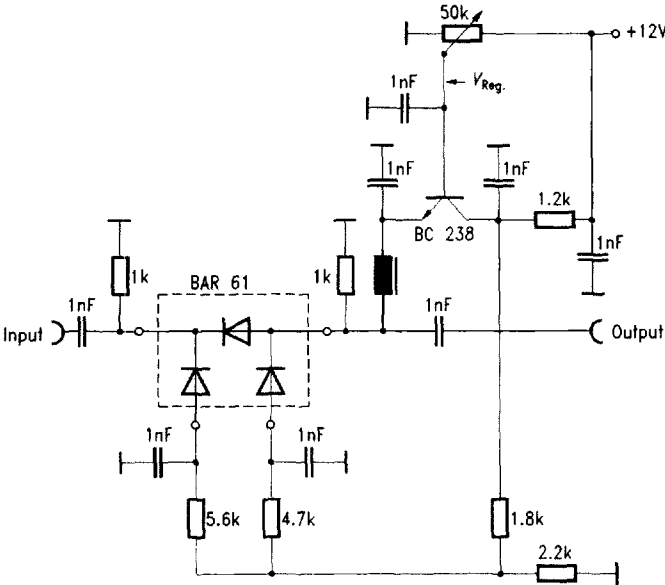


Application circuit for attenuation networks with diode BAR 60



EHM07025

Application circuit for attenuation networks with diode BAR 61



EHM07026

X-ON Electronics

Largest Supplier of Electrical and Electronic Components

Click to view similar products for [PIN Diodes](#) category:

Click to view products by [Infineon](#) manufacturer:

Other Similar products are found below :

[MA45471](#) [MA4SPS502](#) [APD2220-000](#) [BAR 63-02L E6327](#) [BAR 64-02EL E6327](#) [BAR 90-02ELS E6327](#) [BAR9002ELSE6327XTSA1](#)
[1SV271TPH3F](#) [APD0810-000](#) [MA4GP907](#) [MA4L032-186](#) [MA4P7435NM-1091T](#) [MA4PK2000](#) [MA4PK2001](#) [MA4PK2002](#) [MA4PK2003](#)
[MA4PK2004](#) [MADP-007167-12250T](#) [BAT 15-04R E6152](#) [RKP300KJ#P1](#) [HVB187YPTR-E](#) [BAR61E6327HTSA1](#) [BAR 64-02V H6327](#)
[MA4SPS421](#) [MA4PBL027](#) [MA4P404-30](#) [MA4L022-30](#) [CLA4610-000](#) [BAR 89-02LRH E6327](#) [UM7108B](#) [1SV308,L3F](#) [UM7104D](#) [5082-](#)
[3077](#) [DMF2822-000](#) [GC4723-42](#) [UM4301B](#) [UM4301D](#) [SMP1321-000](#) [DMJ2852-000](#) [M17X1008](#) [MA4P7447ST-287T](#) [MA4GP022-277](#)
[UM4001SM](#) [UMX7201SM](#) [GC4271-01](#) [UM7006B](#) [MADP-000015-000030](#) [MGPN1503-C01A](#) [MPL4701-206](#) [MPS2R10-606](#)