



Sensing Accessories

Mounting Brackets page 350

- Using the right bracket ensures optimum performance from your Banner sensors.
- Stainless steel and reinforced thermoplastic polyester mounts reduce installation time and lower total installed cost.
- Choice includes angled, through-hole brackets and split-clamp models that mount to a flat surface.
- Versatile swivel-mount models mount flat and have an adjustable ball to position the sensor at any angle.
- Custom brackets can be designed for your unique applications.



Quick-Disconnect (QD) Cables page 378

- Allow sensors to be replaced or moved quickly, minimizing downtime.
 - Pico- (M8), Euro-(M12), and Mini-styles are available for dc powered sensors.
 - Micro- and Mini-styles are available for ac powered sensors.
 - Choose straight or right-angle connectors.



Retroreflectors and Tape page 391

- Banner offers a complete line of high-quality acrylic targets, high-temperature targets and adhesive-backed retroreflective tapes (not shown).
- Numerous sizes, shapes and mounting options meet your application requirements.
- New high-reflectivity models dramatically increase sensing ranges, with reflectivity factors up to 3x.
- Maximum temperature ratings range from 50° to 480° C.
- Various mounting options are available.



EZ-LIGHT™ Indicator Lights page 402

- Indicator lights show the status of remote or inaccessible sensors, mimicking the sensor's indicators.
- Four model families are available: the 18 mm barrel-shaped, 18 or 30 mm T-style and the dome-shaped K50L.
- A single light displays multiple colors, eliminating the need for multiple post or stack lights.



Miscellaneous

Apertures and Aperture Kits	page 406
Replacement Lens Assemblies	408
Alignment Tools	409
Miscellaneous Accessories	410

Selection Chart



R55F	FI22	R58E	QC50/QCX50	QL50/QL55	SLM	SL10/SL30	C-GAGE [®] SLC1	OTB/LTB/STB	LT3	LT7	LG5/LG10	Q50	QT50U	S18U	QS18U	T30U	Q45U	Q45UR	T18U	MINI-ARRAY [®]	T-GAGE [®]	LX	K50	VTB	PVA	PVD	EZ-LIGHT [™] T18/M18	EZ-LIGHT [™] T30/K50L	
177	180	206	209	211	215	218	221	223	268	272	276	280	286	290	293	296	300	304	308	312	328	332	336	339	342	346	402	402	
•																				•									
																				•								•	•
													•	•	•	•		•	•	•	•							•	•
													•	•	•		•	•	•	•	•							•	•
													•	•	•		•	•	•	•	•							•	•
								•	•	•			•	•	•		•	•	•	•	•			•	•			•	•
								•	•	•			•	•	•		•	•	•	•	•			•	•			•	•
								•	•	•			•	•	•		•	•	•	•	•			•	•			•	•
								•	•	•			•	•	•		•	•	•	•	•			•	•			•	•
								•	•	•			•	•	•		•	•	•	•	•			•	•			•	•
								•	•	•			•	•	•		•	•	•	•	•			•	•			•	•
								•	•	•			•	•	•		•	•	•	•	•			•	•			•	•
								•	•	•			•	•	•		•	•	•	•	•			•	•			•	•
								•	•	•			•	•	•		•	•	•	•	•			•	•			•	•
								•	•	•			•	•	•		•	•	•	•	•			•	•			•	•
								•	•	•			•	•	•		•	•	•	•	•			•	•			•	•
								•	•	•			•	•	•		•	•	•	•	•			•	•			•	•
								•	•	•			•	•	•		•	•	•	•	•			•	•			•	•
								•	•	•			•	•	•		•	•	•	•	•			•	•			•	•
								•	•	•			•	•	•		•	•	•	•	•			•	•			•	•
								•	•	•			•	•	•		•	•	•	•	•			•	•			•	•
								•	•	•			•	•	•		•	•	•	•	•			•	•			•	•
								•	•	•			•	•	•		•	•	•	•	•			•	•			•	•
								•	•	•			•	•	•		•	•	•	•	•			•	•			•	•
								•	•	•			•	•	•		•	•	•	•	•			•	•			•	•
								•	•	•			•	•	•		•	•	•	•	•			•	•			•	•
								•	•	•			•	•	•		•	•	•	•	•			•	•			•	•
								•	•	•			•	•	•		•	•	•	•	•			•	•			•	•
								•	•	•			•	•	•		•	•	•	•	•			•	•			•	•
								•	•	•			•	•	•		•	•	•	•	•			•	•			•	•
								•	•	•			•	•	•		•	•	•	•	•			•	•			•	•
								•	•	•			•	•	•		•	•	•	•	•			•	•			•	•
								•	•	•			•	•	•		•	•	•	•	•			•	•			•	•
								•	•	•			•	•	•		•	•	•	•	•			•	•			•	•
								•	•	•			•	•	•		•	•	•	•	•			•	•			•	•
								•	•	•			•	•	•		•	•	•	•	•			•	•			•	•
								•	•	•			•	•	•		•	•	•	•	•			•	•			•	•
								•	•	•			•	•	•		•	•	•	•	•			•	•			•	•
								•	•	•			•	•	•		•	•	•	•	•			•	•			•	•
								•	•	•			•	•	•		•	•	•	•	•			•	•			•	•
								•	•	•			•	•	•		•	•	•	•	•			•	•			•	•

(Banner Bracket Selection Chart continued on the next page)

ACCESSORIES



Banner Bracket



WORLD-BEAM® Q12	T8	MINI-BEAM® 2	VS1	VS2	VS3	VS4	WORLD-BEAM® QS18	MINI-BEAM®	Q23	S18	M18	T18	Q25	WORLD-BEAM® QS30	S30	SM30/SM130	T30	Q40	PicoDot®	QM42	Q45	OMNI-BEAM™	Q60	D10	D12
-----------------	----	--------------	-----	-----	-----	-----	------------------	------------	-----	-----	-----	-----	-----	------------------	-----	------------	-----	-----	----------	------	-----	------------	-----	-----	-----

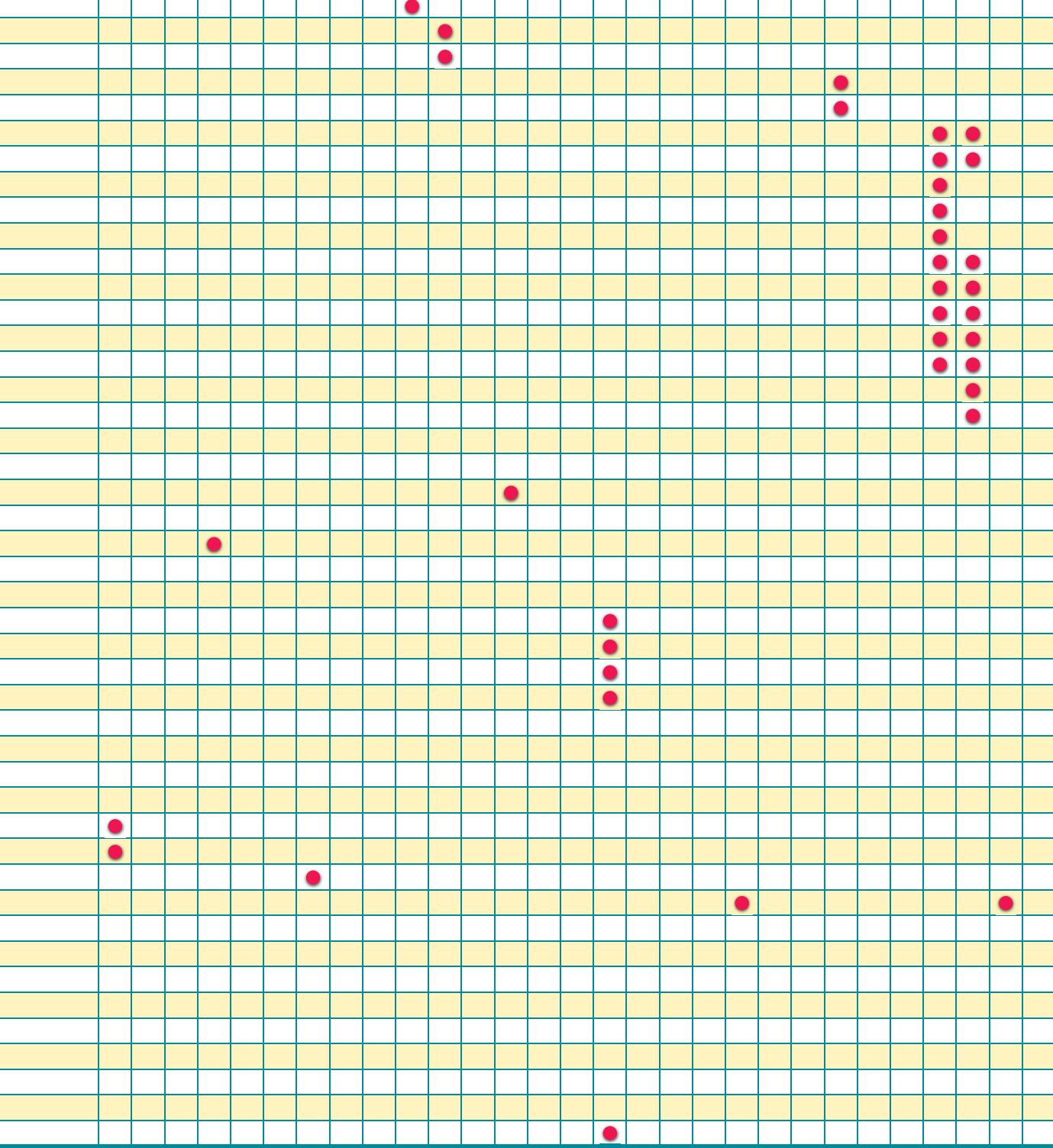
Page	References	44	47	50	53	56	59	62	66	75	88	92	92	98	103	108	115	119	123	127	131	134	140	153	159	166	172
366	SMBLT3IP																										
367	SMBLT7																										
367	SMBLT7F																										
367	SMBLX																										
367	SMBLXR																										
368	SMBPVA1																										
368	SMBPVA2																										
368	SMBPVA..																										
368	SMBPVA..A																										
368	SMBPVA..AB																										
369	SMBPVA..C																										
369	SMBPVA6																										
369	SMBPVA7																										
369	SMBPVA8																										
370	SMBPVA9																										
370	SMBPVD..A																										
370	SMBPVD..AB																										
370	SMBQ12A	●																									
370	SMBQ12T	●																									
371	SMBQ50																										
371	SMBQ60																								●		
371	SMBQC50																										
371	SMBQS12PD		●																								
372	SMBQS12S		●																								
372	SMBQS18A								●																		
372	SMBQS18AF								●																		
372	SMBQS18RA								●																		
373	SMBQS18Y								●																		
373	SMBQS30L															●											
373	SMBQS30LT															●											
373	SMBQS30Y															●											
374	SMBQS30YL															●											
374	SMBR55F01																								●	●	
374	SMBR55FRA																								●	●	
374	SMBSL																										
375	SMBT18Y													●													
375	SMBVS1S			●																							
375	SMBVS1SC			●																							
375	SMBVS1T			●																							
376	SMBVS1TC			●																							
376	SMBVS2RA				●																						
376	SMBVS3S					●																					
376	SMBVS3T					●																					
377	SMBVS4SRA						●																				
377	SMH241F							●	●	●												●					

ACCESSORIES

Selection Chart



R55F	FI22	R58E	QC50/QCX50	QL50/QL55	SLM	SL10/SL30	C-GAGE [®] SLC1	OTB/LTB/STB	LT3	LT7	LG5/LG10	Q50	QT50U	S18U	QS18U	T30U	Q45U	Q45UR	T18U	MINI-ARRAY [®]	T-GAGE [®]	LX	K50	VTB	PVA	PVD	EZ-LIGHT™ T18/M18	EZ-LIGHT™ T30/K50L
177	180	206	209	211	215	218	221	223	268	272	276	280	286	290	293	296	300	304	308	312	328	332	336	339	342	346	402	402



ACCESSORIES

Brackets

Accessories

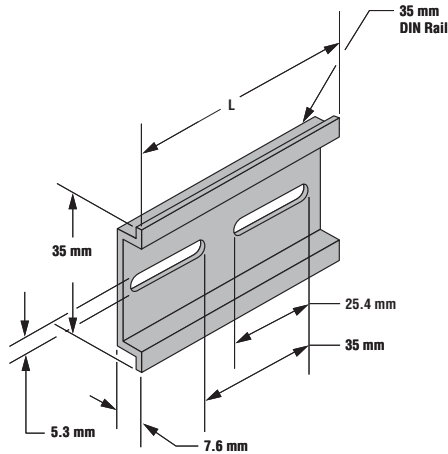
DIN-35..

• DIN rail is available in 70, 105 and 140 mm lengths



Used With

- D10
- D12
- R55F
- MINI-ARRAY
- High-Resolution MINI-ARRAY



Models	Length (L)
DIN-35-70	70 mm
DIN-35-105	105 mm
DIN-35-140	140 mm



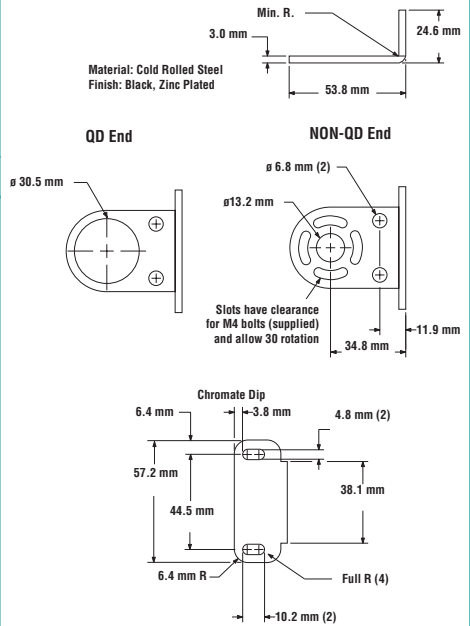
MSMB-3

- 11-ga. cold-rolled steel with black corrosion-resistant zinc chromate finish
- Two-bracket replacement kit for the brackets that come with the emitter/receiver



Used With

- MINI-ARRAY
- High-Resolution MINI-ARRAY



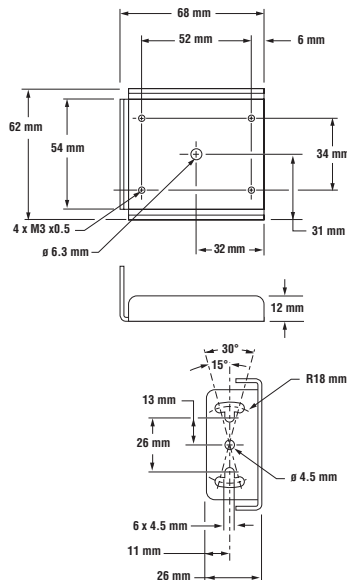
RMB50

- Protective mounting bracket for retroreflective targets
- 14-ga. 316 stainless steel
- Includes stainless steel M3 x 0.5 hardware



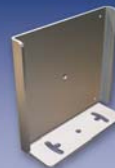
Used With

- Reflectors:
- BRT-60X40C
 - BRT-2X2
 - BRT-50D
 - BRT-50R



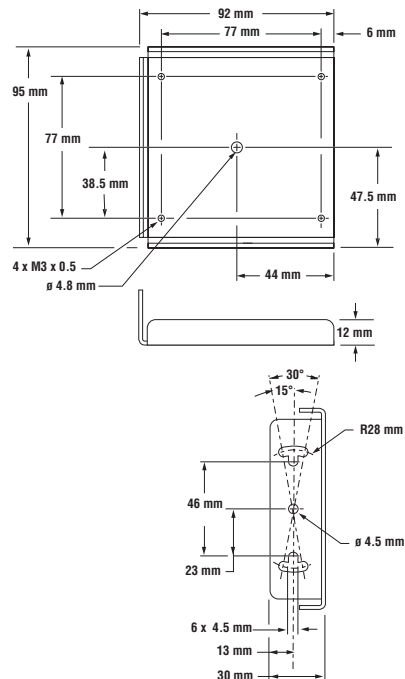
RMB85

- Protective mounting bracket for retroreflective targets
- 14-ga. 316 stainless steel
- Includes stainless steel M3 x 0.5 hardware



Used With

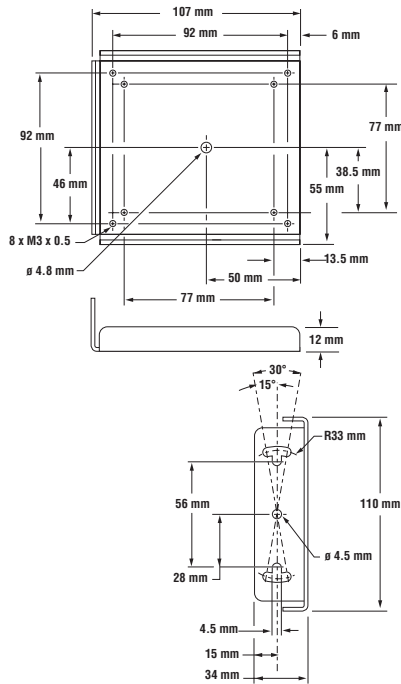
- Reflectors:
- BRT-3
 - BRT-77X77C



ACCESSORIES

RMB100

- Protective mounting bracket for retroreflective targets
- 14-ga. 316 stainless steel
- Includes stainless steel M3 x 0.5 hardware



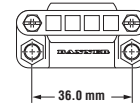
Used With

- Reflectors:
- BRT-92X92C..
 - BRT-77X77C
 - BRT-3
 - BRT-84



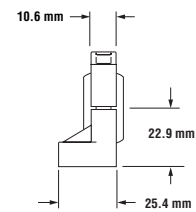
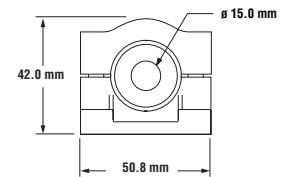
SMB1815SF

- Swivel with set screws for mounting sensors by the cable hub
- Black reinforced thermoplastic polyester
- Includes stainless steel swivel locking hardware and hex wrench



Used With

- T18
- T18U
- T30
- T30U
- EZ-LIGHT T18
- EZ-LIGHT T30

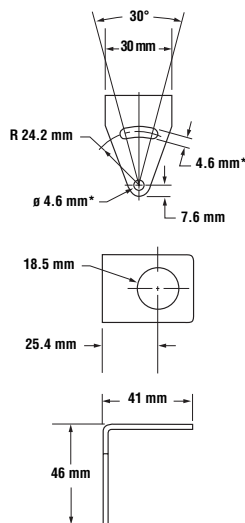


SMB18A

- 12-ga. stainless steel right-angle mounting bracket with a curved mounting slot for versatility and orientation
- Clearance for M4 (#8) hardware



* Use 4 mm (#8) screws to mount bracket. Drill screw holes 24.2 mm apart.



Used With

- QS18
- MINI-BEAM
- M18
- Q25
- S18
- T18
- T-GAGE M18T
- S18U
- QS18U
- Q45UR Barrels
- T18U
- EZ-LIGHT T18
- EZ-LIGHT M18

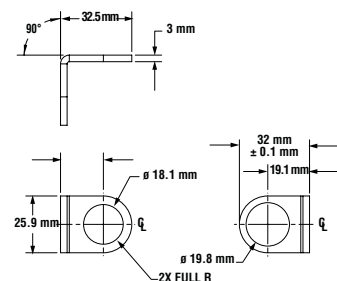


SMB18FA

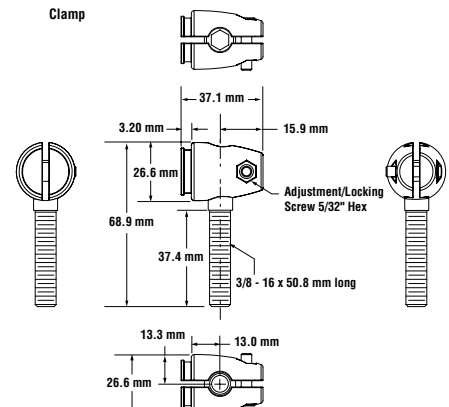
- 14-ga. 304 stainless steel
- 18 mm swivel bracket with tilt and pan movement for precision adjustment



18 mm Bracket



Clamp



Used With

- QS18
- MINI-BEAM
- M18
- T18
- Q25
- S18U
- QS18U
- Q45UR Barrels
- T18U
- SMBQS18A
- SMBQS18Y
- EZ-LIGHT T18
- EZ-LIGHT M18

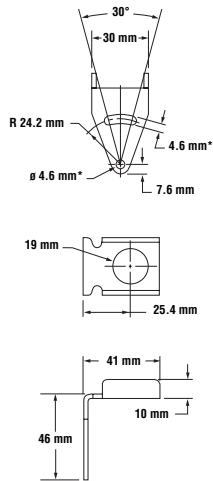


SMB18Q

- 18 mm angled flanged bracket
- 12-ga. stainless steel



* Use 4 mm (#8) screws to mount bracket.
Drill screw holes 24.2 mm apart.



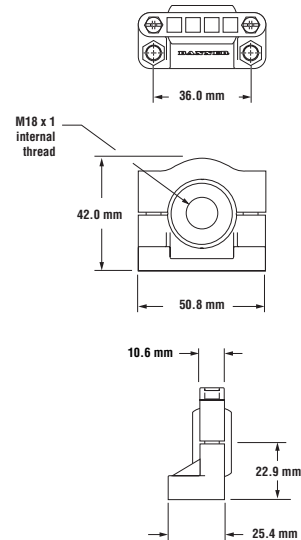
Used With

- QS18
- MINI-BEAM
- S18
- M18
- T18
- Q25
- S18U
- QS18U
- Q45UR Barrels
- T18U
- EZ-LIGHT T18
- EZ-LIGHT M18



SMB18SF

- 18 mm swivel bracket with M18 x 1 internal thread
- Black thermoplastic polyester
- Includes stainless steel swivel locking hardware



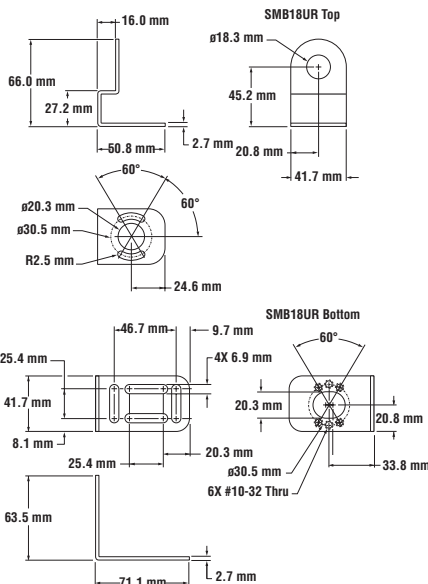
Used With

- QS18
- MINI-BEAM
- S18
- M18
- T18
- Q25
- T-GAGE M18T
- S18U
- QS18U
- Q45UR Barrels
- T18U
- EZ-LIGHT T18
- EZ-LIGHT M18



SMB18UR

- 2-piece universal swivel bracket for 18 mm sensors
- 300 series stainless steel
- Includes stainless steel swivel locking hardware



Used With

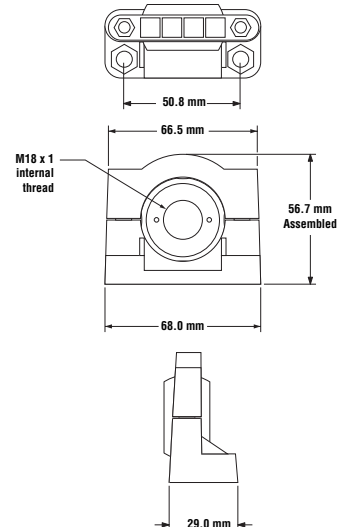
- QS18*
- MINI-BEAM
- S18
- M18
- T18
- Q25
- T-GAGE M18T
- S18U
- QS18U*
- Q45UR Barrels
- T18U
- EZ-LIGHT T18
- EZ-LIGHT M18



* Contact factory to verify compatibility with integral QD models.

SMB3018SC

- 18 mm swivel barrel for side mount bracket
- Black reinforced thermoplastic polyester
- Includes stainless steel swivel locking hardware



Used With

- QS18
- MINI-BEAM
- Q23
- QM42/QMT42
- S18
- T18
- Q25
- S18U
- QS18U
- Q45UR Barrels
- T18U
- EZ-LIGHT T18



SMB30A

- 12-ga. stainless steel right-angle mounting bracket with curved slot for versatility and orientation
- Clearance for M6 (1/4") hardware

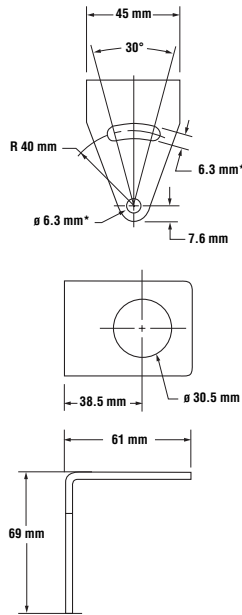


Used With

- QS30
- SM30
- S30
- T30
- Q40
- Q45
- OMNI-BEAM
- OTB, LTB, STB & VTB
- QT50U
- T30U
- Q45U
- Q45UR
- K50
- EZ-LIGHT K50L
- EZ-LIGHT T30



* Use 5 mm (#10) screws to mount bracket. Drill screw holes 40.0 mm apart.



SMB30FA

- 14-ga. 304 stainless steel
- 30 mm swivel bracket with tilt and pan movement for precision adjustment

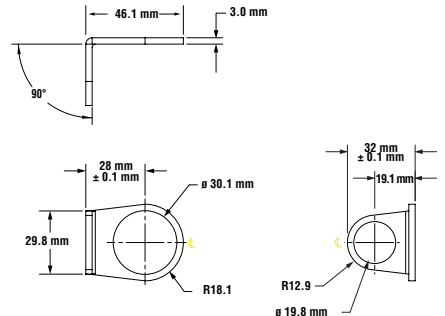


Used With

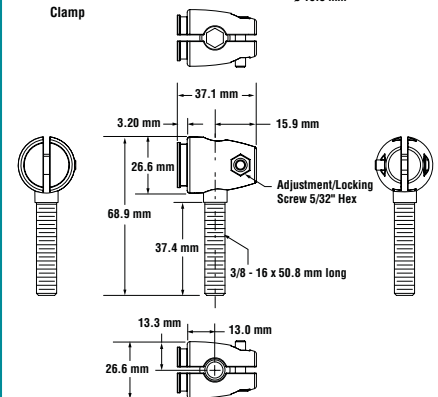
- QS30
- SM30
- Q45
- OMNI-BEAM
- OTB, LTB, STB & VTB
- QT50U
- Q45U
- Q45UR
- K50
- EZ-LIGHT K50L



30 mm Bracket



Clamp



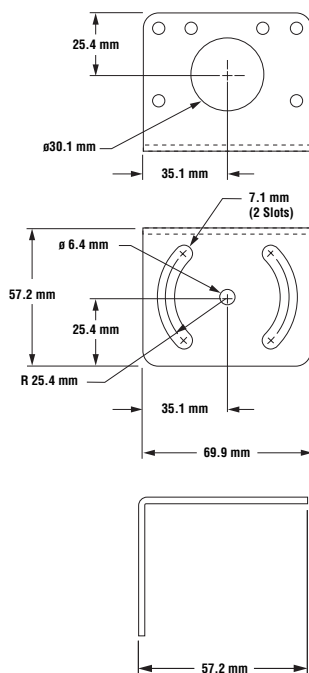
SMB30MM

- 30 mm 12-ga. stainless steel bracket with curved mounting slots for versatility and orientation
- Clearance for M6 (1/4") hardware



Used With

- QS30
- SM30
- Q45
- OMNI-BEAM
- OTB, LTB, STB & VTB
- QT50U
- Q45U
- Q45UR
- K50
- EZ-LIGHT K50L



SMB30Q

- 30 mm angled flanged mounting bracket
- Stainless steel

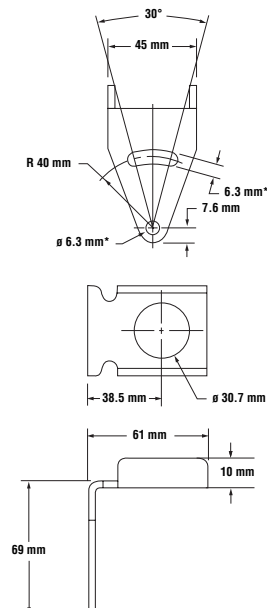


Used With

- QS30
- SM30
- S30
- T30
- Q40
- Q45
- OMNI-BEAM
- OTB, LTB, STB & VTB
- Q45U
- Q45UR
- K50
- EZ-LIGHT K50L
- EZ-LIGHT T30



* Use 5 mm (#10) screws to mount bracket. Drill screw holes 40.0 mm apart.

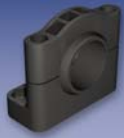


Brackets

Accessories

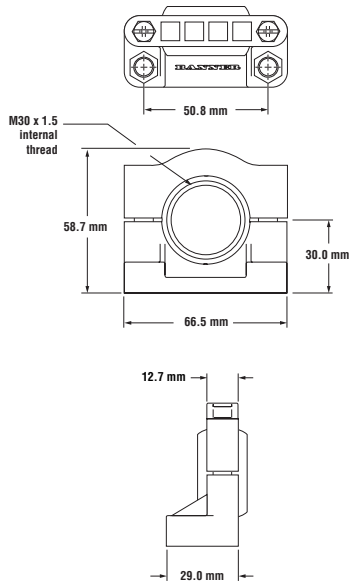
SMB30SC

- 30 mm swivel bracket
- Black reinforced thermoplastic polyester
- Includes stainless steel mounting and swivel locking hardware



Used With

- QS30
- SM30
- S30
- T30
- Q40
- Q45
- OMNI-BEAM
- OTB, LTB, STB & VTB
- QT50U
- Q45U
- Q45UR
- K50
- EZ-LIGHT K50L
- EZ-LIGHT T30



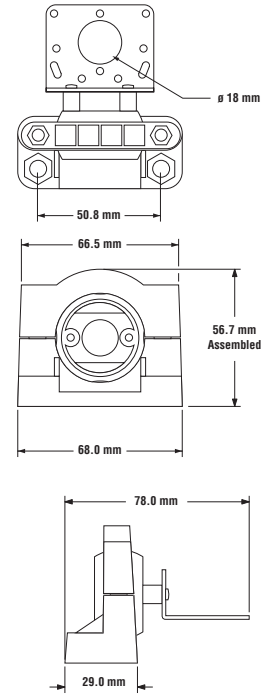
SMB30SK

- Flat-mount swivel bracket with extended range of motion
- Black reinforced thermoplastic polyester and 316 stainless steel
- Includes stainless steel swivel locking hardware



Used With

- QS18
- MINI-BEAM
- Q23
- QM42/QMT42
- S18
- M18
- T18
- Q25
- S18U
- QS18U
- Q45UR Barrels
- T18U
- EZ-LIGHT T18
- EZ-LIGHT M18



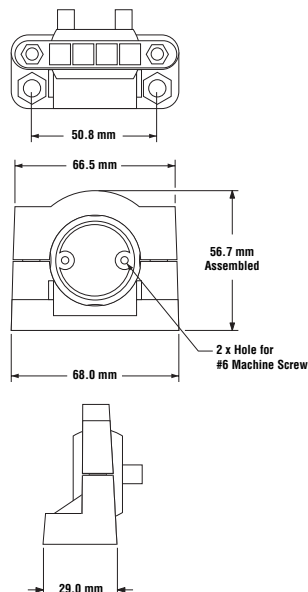
SMB30SUS

- Side-mount swivel bracket with extended range of motion
- Black reinforced thermoplastic polyester
- Includes stainless steel swivel locking hardware



Used With

- QS18
- MINI-BEAM
- Q23
- QM42/QMT42
- QS18U



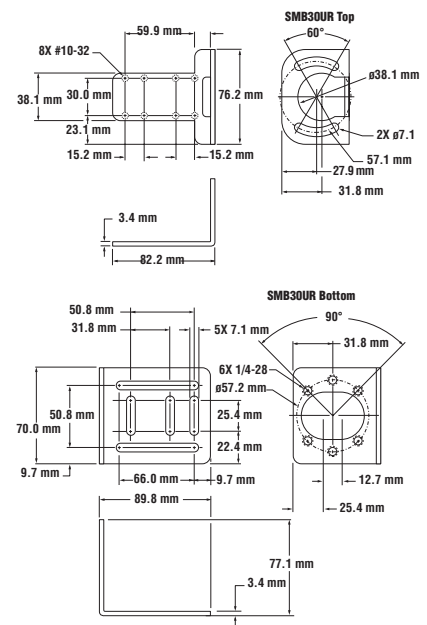
SMB30UR

- 2-piece universal swivel bracket for limit-switch style sensors
- 300 series stainless steel
- Includes stainless steel swivel locking hardware



Used With

- Q45
- OMNI-BEAM
- Q45U
- Q45UR



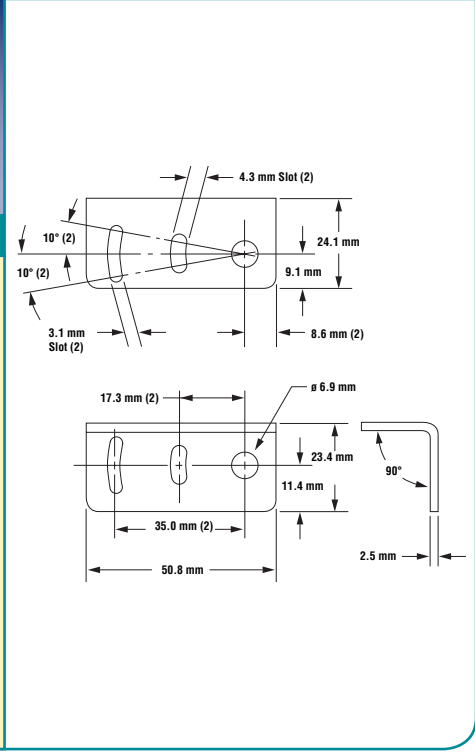
SMB312B • Stainless steel 2-axis, bottom mounting bracket
• Includes mounting foot



Used With

- MINI-BEAM

MORE INFO ONLINE



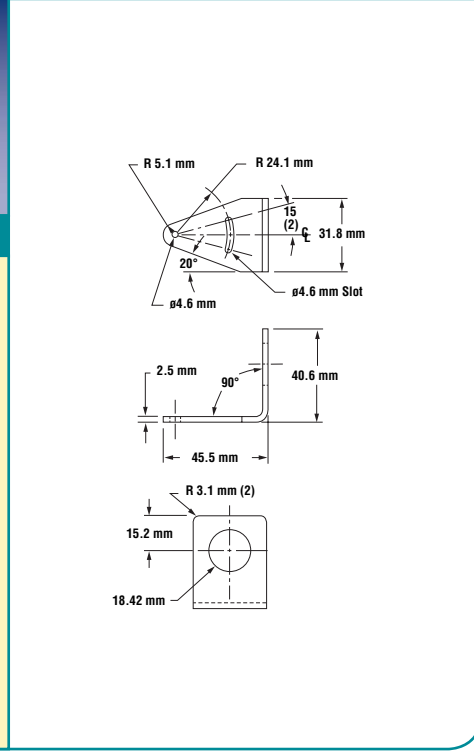
SMB312PD • Stainless steel 18 mm barrel-mounting bracket
NOTE: Not for use with plastic fiber optic models



Used With

- QS18
- MINI-BEAM
- S18
- M18
- T18
- Q25
- S18U
- T-GAGE M18T
- QS18U
- Q45UR Barrels
- T18U
- EZ-LIGHT T18
- EZ-LIGHT M18

MORE INFO ONLINE



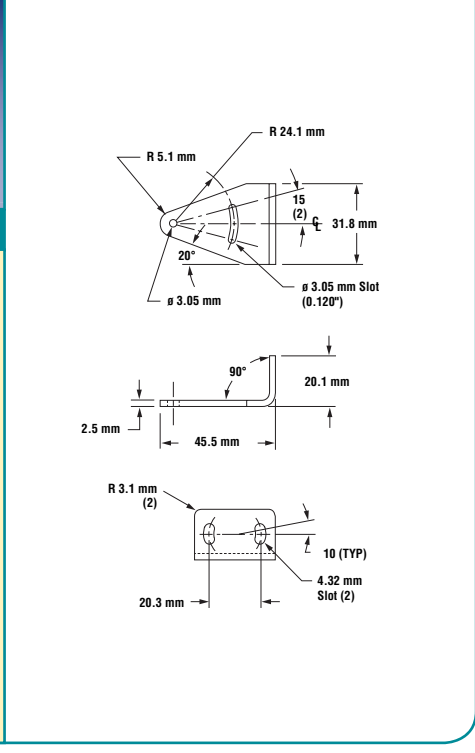
SMB312S • Stainless steel 2-axis side-mounting bracket



Used With

- QS18
- MINI-BEAM
- Q23
- QM42/QMT42
- QS18U

MORE INFO ONLINE



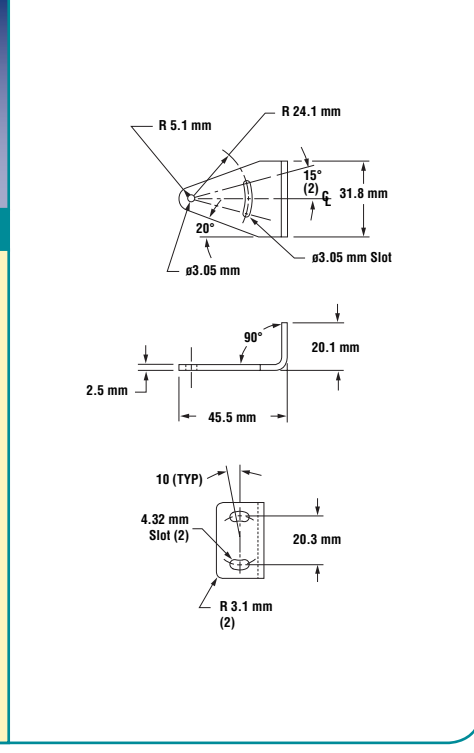
SMB42T • 2-axis side mounting bracket
• Stainless steel
• Includes M3 sensor mounting hardware



Used With

- QM42/QMT42

MORE INFO ONLINE



ACCESSORIES

Brackets

Accessories

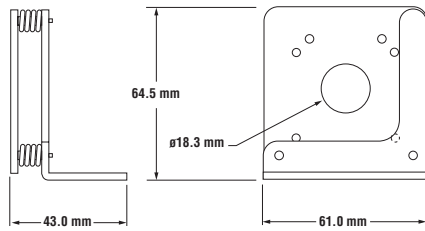
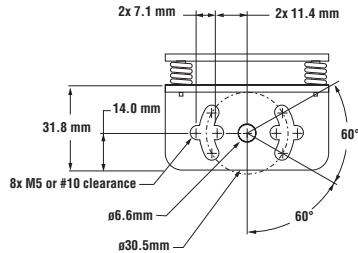
SMB46A

- 2-piece 12-ga. stainless steel bracket assembly with precision sensor alignment adjustment
- Includes 2 mm hex key



Used With

- QS18 Laser Emitters
- S18 Laser Emitters
- PicoDot
- QS18U



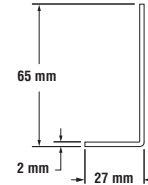
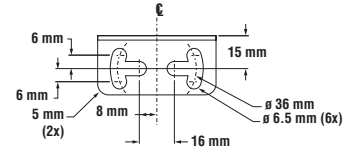
SMB46L

- L bracket
- 14-ga. 316 stainless steel



Used With

- QS18
- MINI-BEAM
- Q23/QH23
- QS30
- PicoDot
- QM42/QMT42
- QS18U



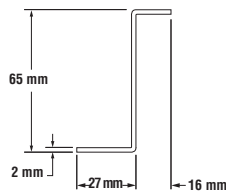
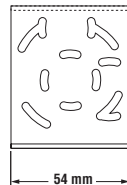
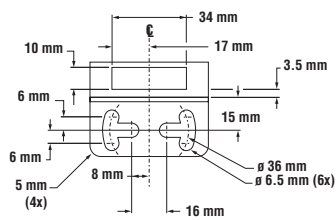
SMB46S

- S bracket
- 14-ga. 316 stainless steel



Used With

- QS18
- MINI-BEAM
- Q23/QH23
- QS30
- PicoDot
- QM42/QMT42
- QS18U



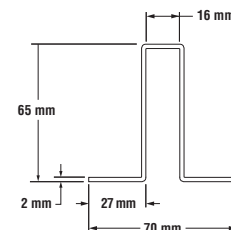
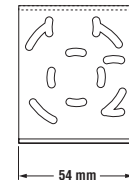
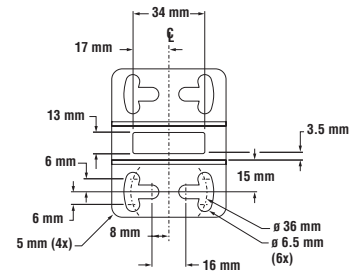
SMB46U

- U bracket
- 14-ga. 316 stainless steel




Used With

- QS18
- MINI-BEAM
- Q23/QH23
- QS30
- PicoDot
- QM42/QMT42
- QS18U



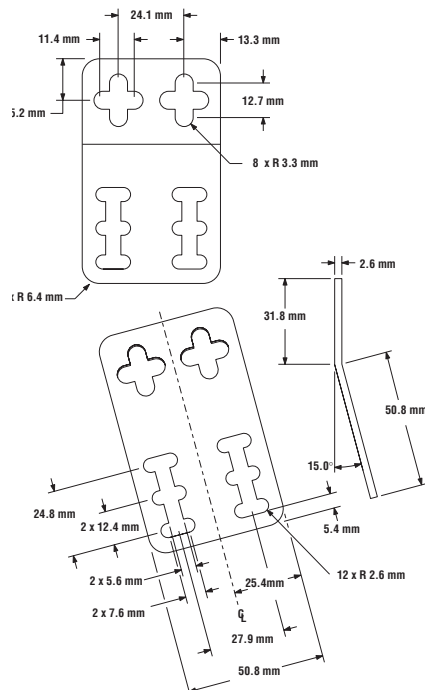
SMB55A

- 15° offset bracket
- 12-ga. stainless steel



Used With


- R58E
- QL55



MORE INFO ONLINE

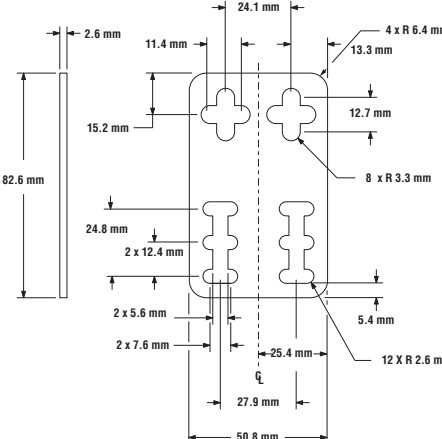
SMB55F

- Flat-mount bracket
- 12-ga. stainless steel



Used With


- R58E
- QL55



MORE INFO ONLINE

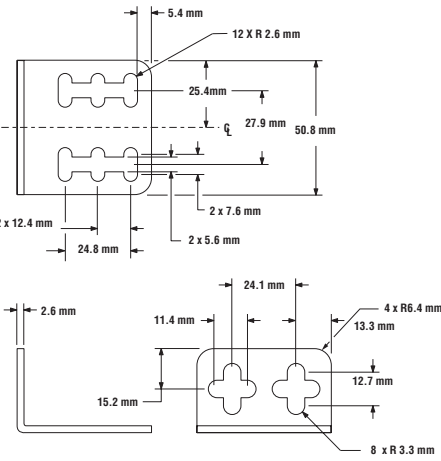
SMB55RA

- Right-angle bracket
- 12-ga. stainless steel



Used With


- R58E
- QL55



MORE INFO ONLINE

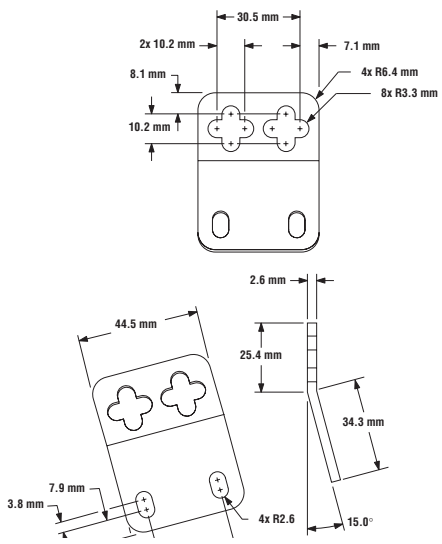
SMB55S

- 15° offset bracket
- 12-ga. stainless steel



Used With

- R58E
- QL55



MORE INFO ONLINE

ACCESSORIES

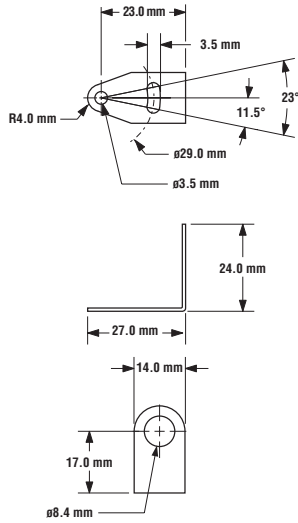
SMB8MM

- Right-angle bracket
- 300 series stainless steel



Used With

- T8
- IT23S (Glass Fiber)
- BT23S (Glass Fiber)



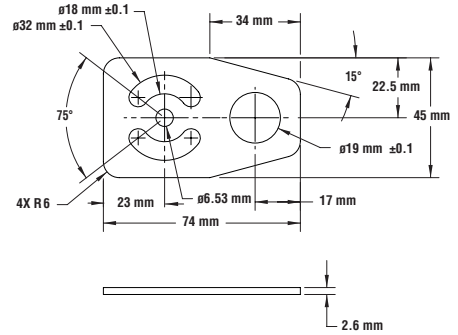
SMBAMS18P

- 12-ga. 300 series stainless steel
- Flat SMBAMS series bracket with 18 mm hole for mounting sensors
- Articulation slots for 90+° of rotation



Used With

- QS18
- MINI-BEAM
- S18
- M18
- T18
- T-GAGE M18T
- S18U
- Q45UR Barrels
- T18U
- QS18U
- EZ-LIGHT T18
- EZ-LIGHT M18



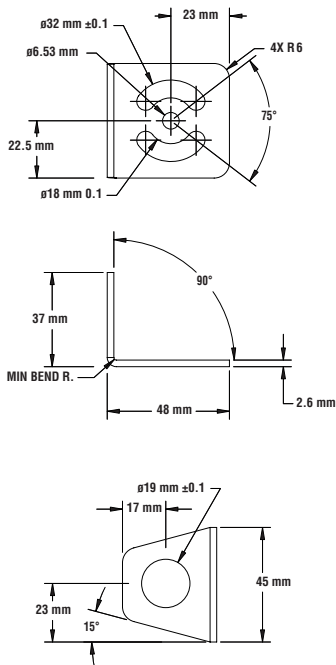
SMBAMS18RA

- 12-ga. 300 series stainless steel
- Right-angle SMBAMS series bracket with 18 mm hole for mounting sensors
- Articulation slots for 90+° of rotation



Used With

- QS18
- MINI-BEAM
- S18
- M18
- T18
- S18U
- Q45UR Barrels
- T18U
- QS18U
- EZ-LIGHT T18
- EZ-LIGHT M18



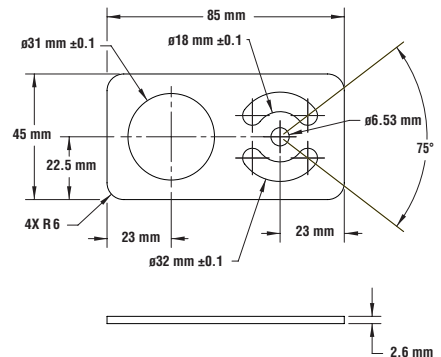
SMBAMS30P

- 12-ga. 300 series stainless steel
- Flat SMBAMS series bracket with 30 mm hole for mounting sensors
- Articulation slots for 90+° of rotation



Used With

- QS30
- S30
- SM30/SMI30
- T30
- Q40
- Q45
- OMNI-BEAM
- OTB, LTB, STB & VTB
- QT50U
- T30U
- Q45U
- Q45UR
- K50
- EZ-LIGHT T30
- EZ-LIGHT K50L



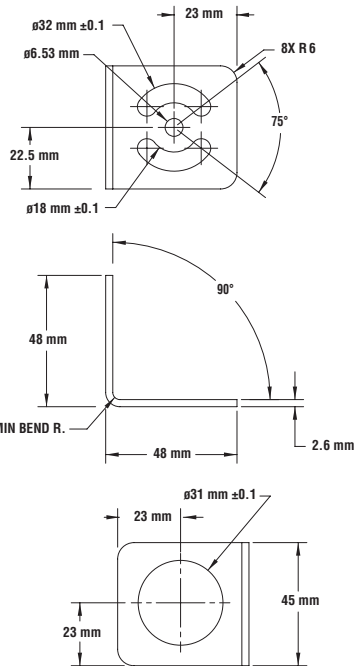
SMBAMS30RA

- 12-ga. 300 series stainless steel
- Right-angle SMBAMS series bracket with 30 mm hole for mounting sensors
- Articulation slots for 90+° of rotation



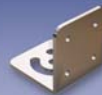
Used With

- QS30
- S30
- SM30/SMI30
- T30
- Q40
- Q45
- OMNI-BEAM
- OTB, LTB, STB & VTB
- QT50U
- T30U
- Q45U
- Q45UR
- K50
- EZ-LIGHT T30
- EZ-LIGHT K50L



SMBAMSBRA

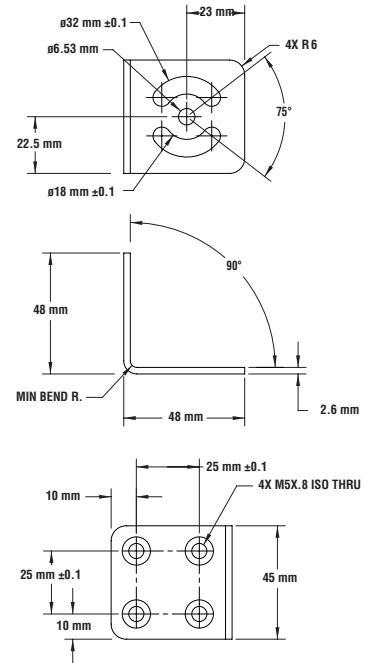
- 12-ga. 300 series stainless steel
- Right-angle base piece for SMBAMS series of versatile mounting hardware
- Four point hole pattern to integrate with articulation slots in SMBAMS series brackets



Used With

- SMBAMSBRA*
- SMBAMS18P
- SMBAMS18RA
- SMBAMS30P
- SMBAMS30RA
- SMBAMSLT3IP
- SMBAMSLT3P
- SMBAMSQ60IP
- SMBAMSQ60P

* Multiple SMBAMSBRA base brackets can be integrated together to allow for additional points of articulation.



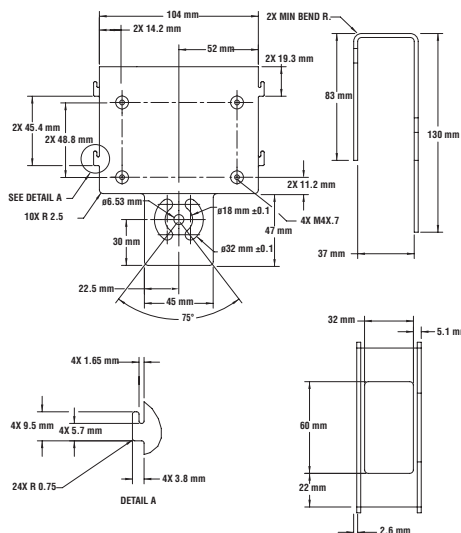
SMBAMSLT3IP

- 12-ga. 300 series stainless steel
- Industrial protection SMBAMS series bracket for LT3 offers protection and replaceable window
- Articulation slots for 90+° of rotation



Used With

- LT3



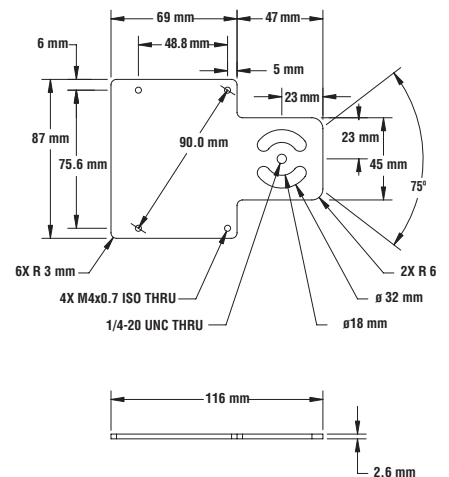
SMBAMSLT3P

- 12-ga. 300 series stainless steel
- Flat SMBAMS series bracket for mounting LT3
- Articulation slots for 90+° of rotation



Used With

- LT3



Brackets

Accessories

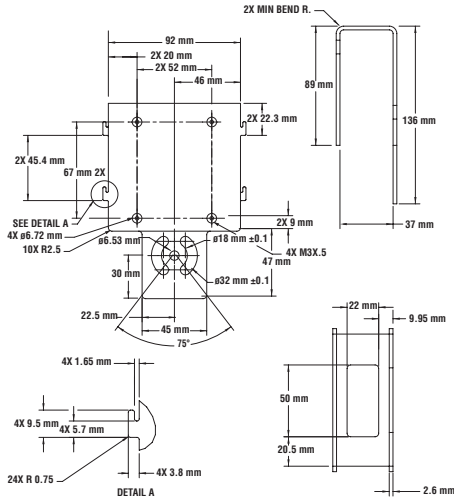
SMBAMSQ60IP

- 12-ga. 300 series stainless steel
- Industrial protection SMBAMS series bracket for Q60 offers protection and replaceable window
- Articulation slots for 90+° of rotation



Used With

• Q60



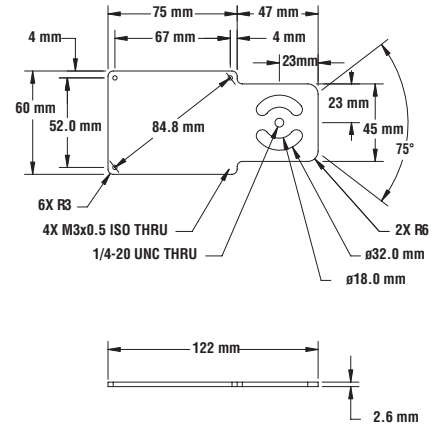
SMBAMSQ60P

- 12-ga. 300 series stainless steel
- Flat SMBAMS series bracket for mounting Q60
- Articulation slots for 90+° of rotation



Used With

• Q60



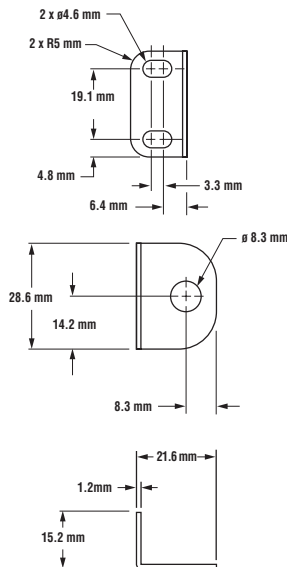
SMBF

- Right-angle bracket for glass fiber optics with 5/16" - 24 threaded tip
- 18-ga. stainless steel



Used With

• Glass fiber with 5/16" - 24 threaded tip



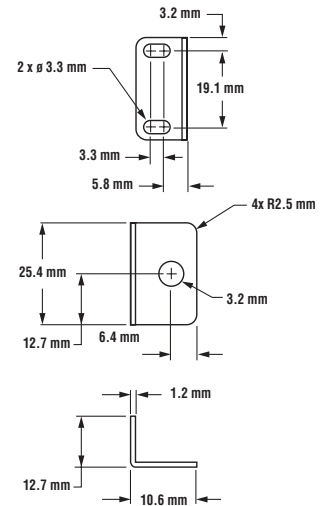
SMBFP3

- Right-angle bracket for plastic fiber optics with 3 mm threaded tip
- 18-ga. stainless steel



Used With

• Plastic fiber with M3 tip



ACCESSORIES

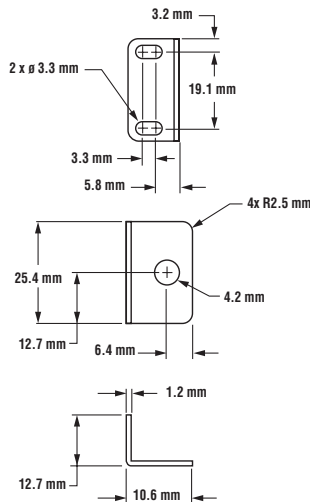
SMBFP4

- Right-angle bracket for plastic fiber optics with 4 mm threaded tip
- 18-ga. stainless steel



Used With

- Plastic fiber with M4 tip



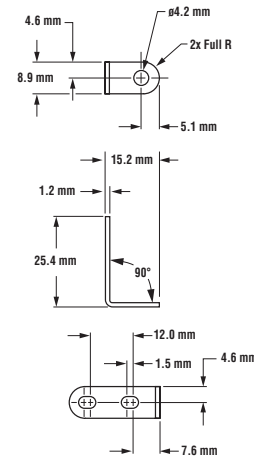
SMBFP4N

- Low-profile right-angle bracket for plastic fiber optics with 4 mm threaded tip
- 18-ga. stainless steel



Used With

- Plastic fiber with M4 tip



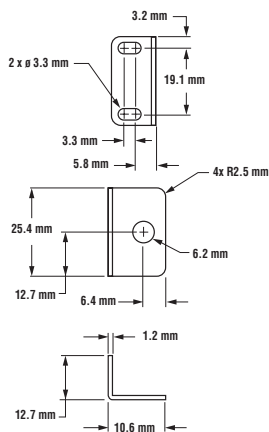
SMBFP6

- Low-profile right-angle bracket for plastic fiber optics with 6 mm threaded tip
- 18-ga. stainless steel



Used With

- Plastic fiber with M6 tip



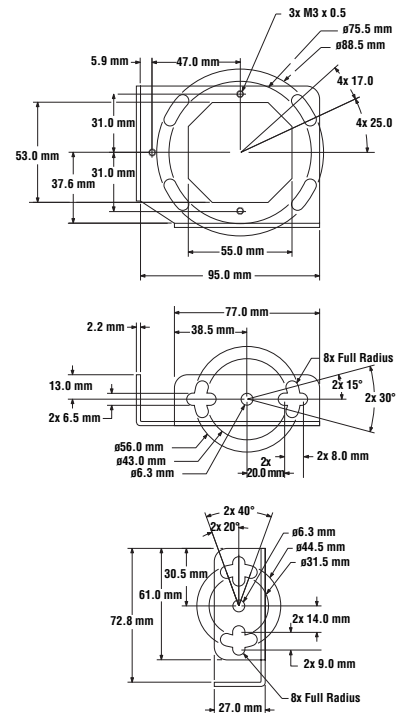
SMBLG

- LG Series sensor mounting bracket
- 304 stainless steel



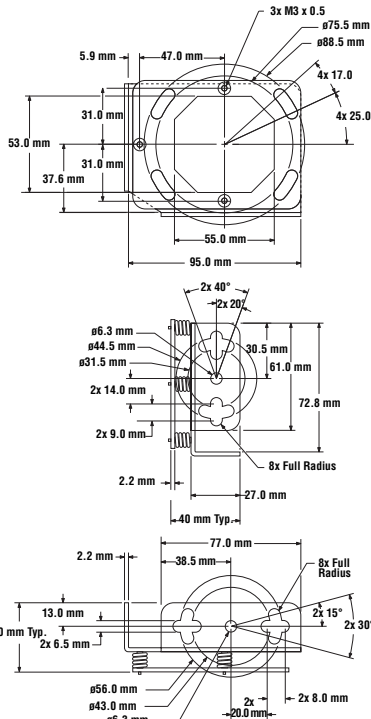
Used With

- LG5
- LG10



SMBLGA

- LG Series adjustable bracket assembly
- Precision adjustment screws
- 304 stainless steel



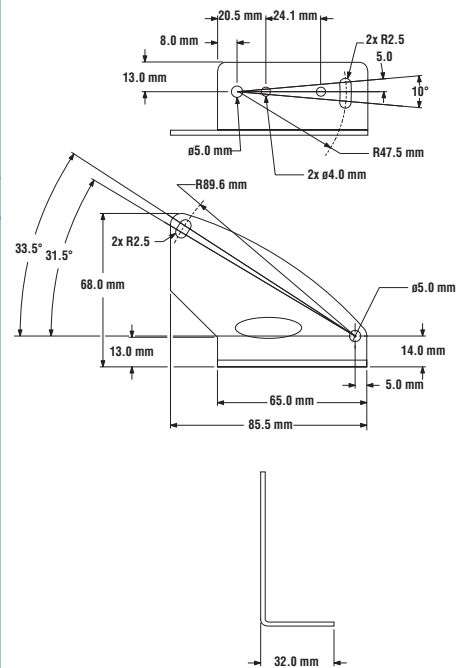
Used With

- LG5
- LG10



SMBLT31

- Right-angle bracket
- 300 stainless steel



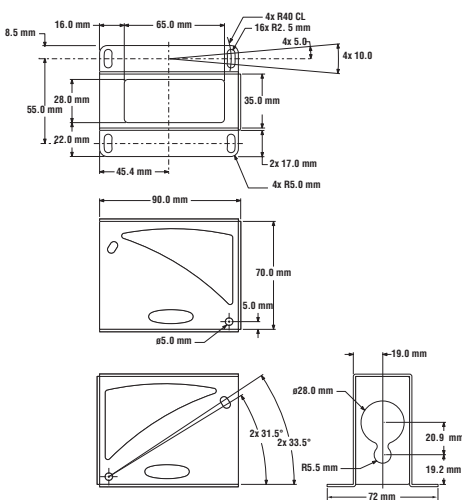
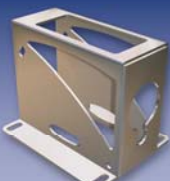
Used With

- LT3



SMBLT32

- Full protection bracket
- 300 stainless steel
- Includes mounting hardware



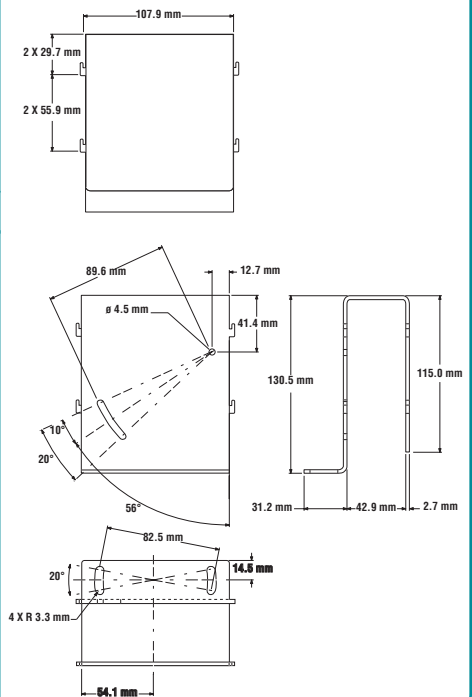
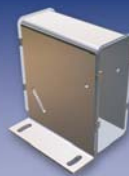
Used With

- LT3



SMBLT3IP

- Replaceable window for welding environments
- Stainless steel construction
- Includes 2 weld splatter replacement windows



Used With

- LT3



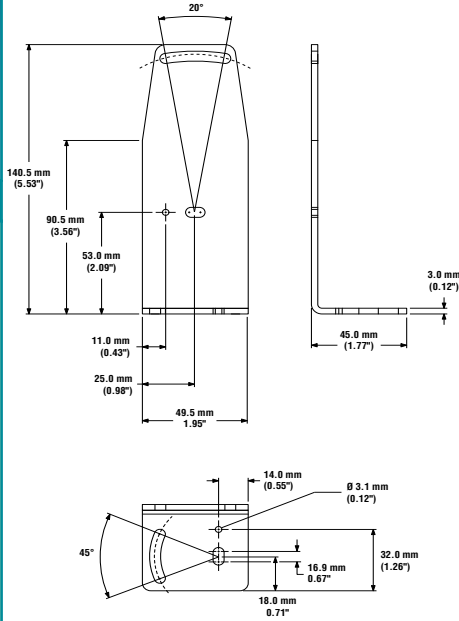
SMBLT7

- Right-angle bracket
- 300 series stainless steel
- Fine-adjust accessory available (model SMBLT7F)



Used With

- LT7



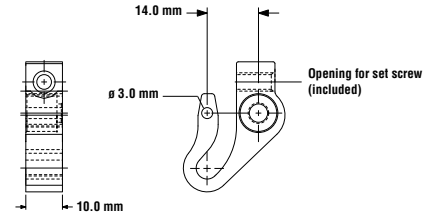
SMBLT7F

- Fine-adjust accessory bracket is available
- 304 series stainless steel
- Includes mounting hardware
- Requires SMBLT7 (sold separately)



Used With

- LT7*



* Shown mounted on SMBLT7 (not included)



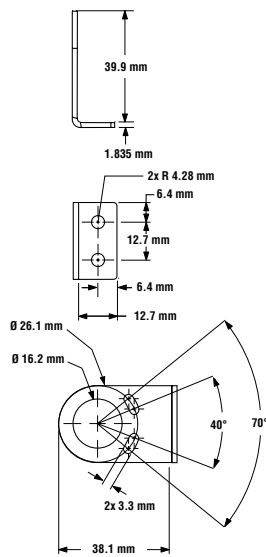
SMBLX

- End-cap brackets; set of 2
- Zinc-plated cold rolled steel



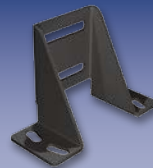
Used With

- LX



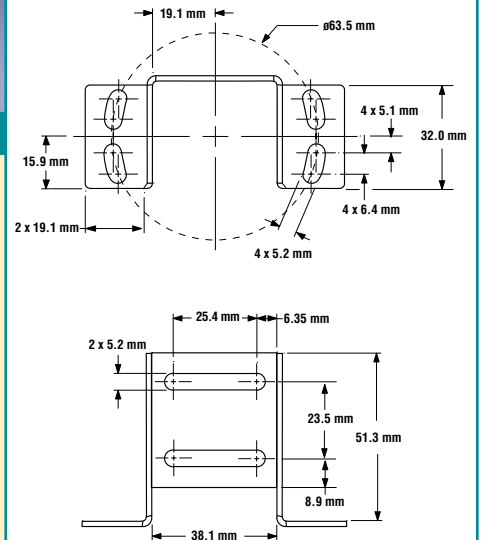
SMBLXR

- Back-mount bracket for secure one-end mounting
- Zinc-plated cold rolled steel



Used With

- LX

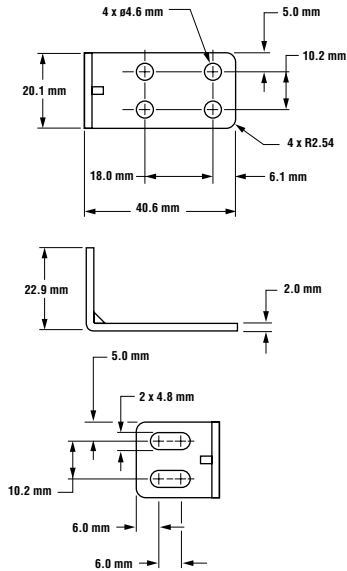


Brackets

Accessories

SMBPVA1

- Right-angle bracket for PVA and PVD products
- 303 stainless steel



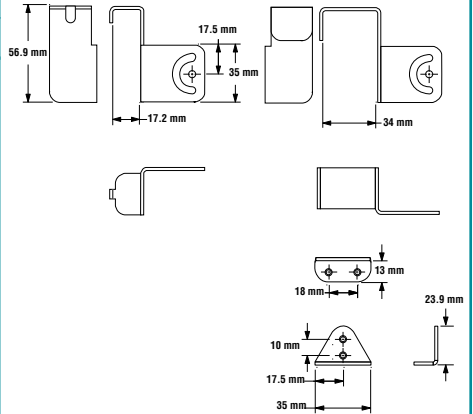
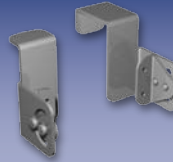
Used With

- PVA
- PVD



SMBPVA11

- Pair of two-piece swivel brackets for mounting to one 5/16" metal rack system
- Articulation slot for ±90° rotation
- May be used with SMBPVA..C bracket



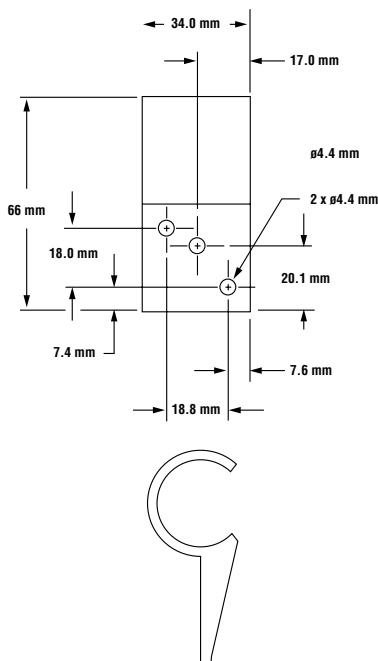
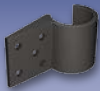
Used With

- PVD
- SMBPVD..A
- SMBPVD..AB



SMBPVA2

- Set of 4 molded brackets
- Snaps onto standard 28 mm diameter pipe
- 2 required per PVA or PVD sensor



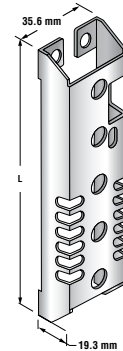
Used With

- PVA
- PVD
- SMBPVA..
- SMBPVA..A
- SMBPVA..AB
- SMBPVD..A
- SMBPVD..AB



SMBPVA.. SMBPVA..A SMBPVA..AB

- Protects sensor from impact; provides DIP-switch and/or indicator light exposure (depending on model)
- Heavy-duty, cold-rolled steel zinc finish
- May be used with SMPBVA..C for mounting to SMBPVA7 or SMBPVA8 brackets



Used With

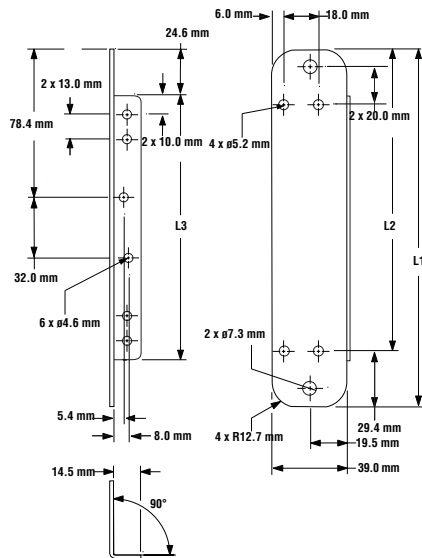
- PVA (See Chart)
- SMBPVA..C Bracket



Models	DIP Switch Access	Indicator Light Exposed	Length (L)	Used With
SMBPVA5	Yes	Yes	139.7 mm	PVA100
SMBPVA5A	Yes	No		
SMBPVA5AB	No	No		
SMBPVA10	Yes	Yes	268.2 mm	PVA225
SMBPVA10A	Yes	No		
SMBPVA10AB	No	No		
SMBPVA13	Yes	Yes	343.3 mm	PVA300
SMBPVA13A	Yes	No		
SMBPVA13AB	No	No		
SMBPVA16	Yes	Yes	418.2 mm	PVA375
SMBPVA16A	Yes	No		
SMBPVA16AB	Yes	No		

SMBPVA..C

- Back-mounted bracket for mounting to SMBPVA7 or SMBPVA8 brackets
- Cold-rolled steel zinc finish



Used With

- SMBPVA7*
- SMBPVA8*

* Sensor must be mounted to a SMBPVA..C bracket.



Model	L1	L2	L3
SMBPVA5C	188.7 mm	159.6 mm	139.5 mm
SMBPVA10C	317.2 mm	258.6 mm	268.0 mm

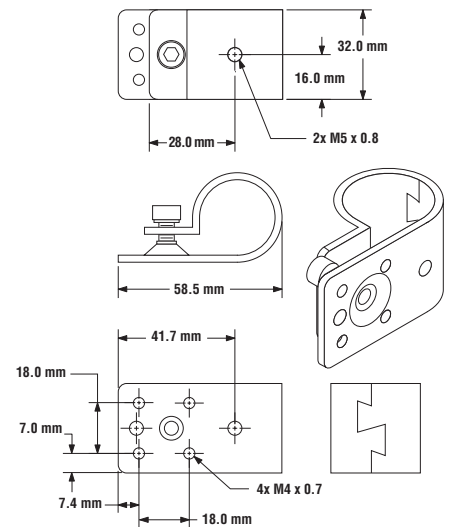
SMBPVA6

- Set of 4 molded brackets
- Brackets clamp onto 28 mm pipe for more information
- Request data sheet p/n 64900 for more information



Used With

- PVA
- PVD
- SMBPVA..
- SMBPVA..A
- SMBPVA..AB
- SMBPVD..A
- SMBPVD..AB



SMBPVA7

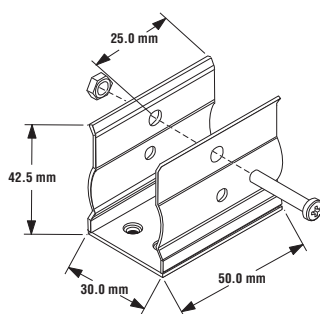
- One-piece bracket for mounting to 28 mm (11/8") dia. pipe
- Black-painted steel
- Requires SMBPVA..C for mounting at an angle $\pm 90^\circ$



Used With

- PVA*
- PVD*
- SMBPVA5C
- SMBPVA10C

* Sensor must be mounted to a SMBPVA..C bracket.



SMBPVA8

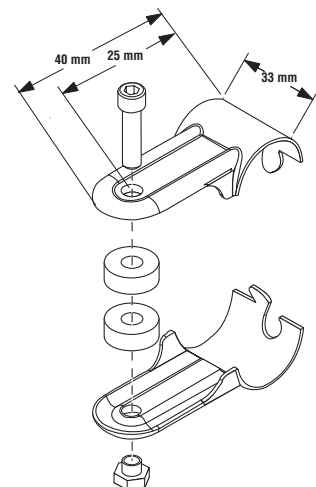
- Heavy-duty 2-part bracket mounts to 28 mm (11/8") dia. pipe
- Cold-rolled steel zinc finish
- Requires SMBPVA..C for mounting



Used With

- PVA*
- PVD*
- SMBPVA5C
- SMBPVA10C

* Sensor must be mounted to a SMBPVA..C bracket.

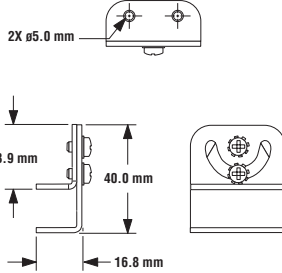
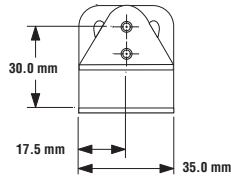
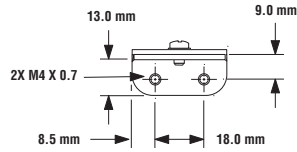


Brackets

Accessories

SMBPVA9

- Pair of 2-piece swivel brackets
- Mount directly to sensor or to SMBPVD100(225) protective brackets
- Designed for mounting sensor to "look down"



Used With

- PVA
- PVD
- SMBPVA..A
- SMBPVA..AB
- SMBPVD..
- SMBPVD..A
- SMBPVD..AB



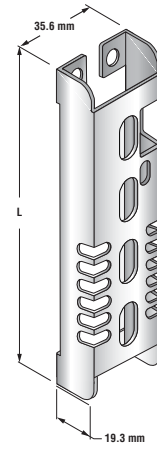
SMBPVD..A SMBPVD..AB

- Heavy-duty brackets for protection; DIP-switch access
- Cold-rolled steel zinc finish
- May be used with SMBPVA..C for mounting to SMBPVA7 or SMBPVA8 brackets



Used With

- PVD100
- PVD225
- SMBPVA9
- SMBPVA2



Model	DIP Switch Access	Length (L)	Used With
SMBPVD100A	Yes	140 mm	PVD100
SMBPVD100AB	No	140 mm	PVD100
SMBPVD225A	Yes	269 mm	PVD225
SMBPVD225AB	No	269 mm	PVD225



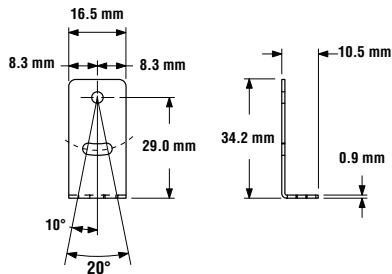
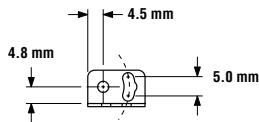
SMBQ12A

- Adjustable right-angle bracket
- 300 series stainless steel 20 gauge



Used With

- Q12



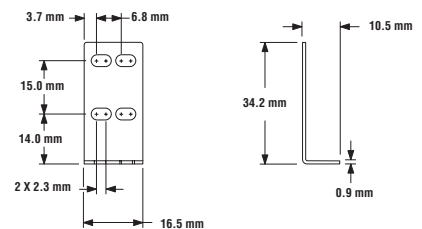
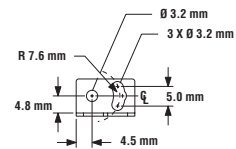
SMBQ12T

- Right-angle bracket
- 20-ga. 300 series stainless steel




Used With

- Q12



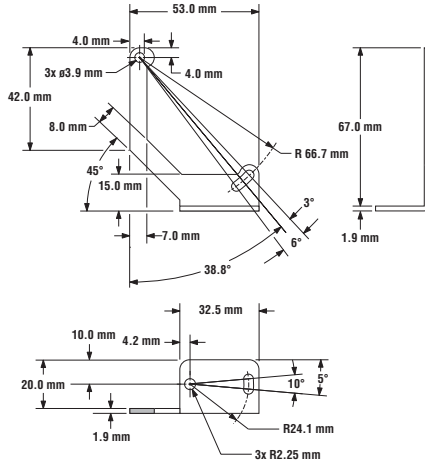
SMBQ50

- Right-angle bracket
- 14-ga. 304 stainless steel



Used With


- Q50



MORE INFO ONLINE

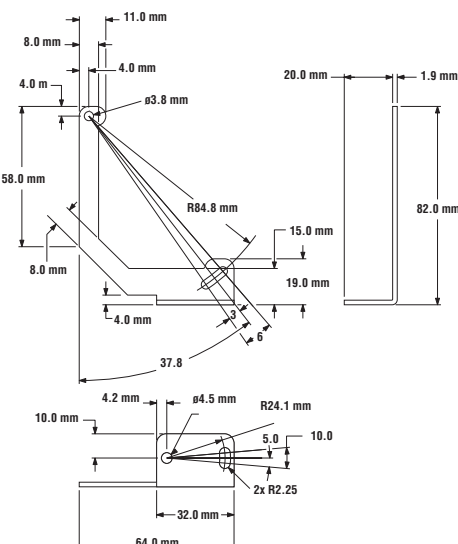
SMBQ60

- Right-angle bracket
- 14-ga. 304 stainless steel



Used With


- Q60



MORE INFO ONLINE

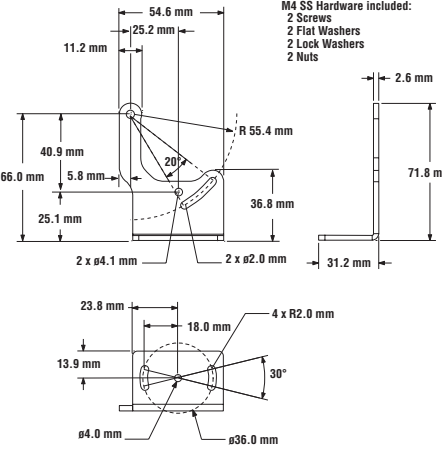
SMBQC50

- Multi-directional stainless steel L-bracket
- Variety of mounting options



Used With

- QC50
- QCX50




M4 SS Hardware included:
2 Screws
2 Flat Washers
2 Lock Washers
2 Nuts

MORE INFO ONLINE

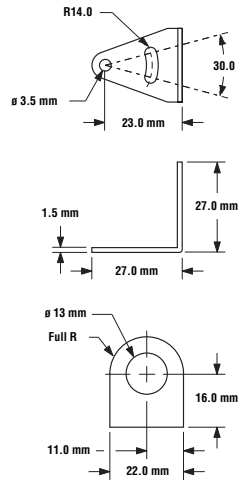
SMBQS12PD

- Right-angle, side-mount bracket
- 16-ga. 300 series stainless steel



Used With

- MINI-BEAM2



MORE INFO ONLINE

ACCESSORIES

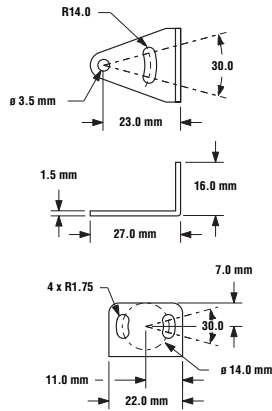
SMBQS12S

- Right-angle, 12 mm nose-mount bracket
- 16-ga. 300 series stainless steel



Used With

- MINI-BEAM2



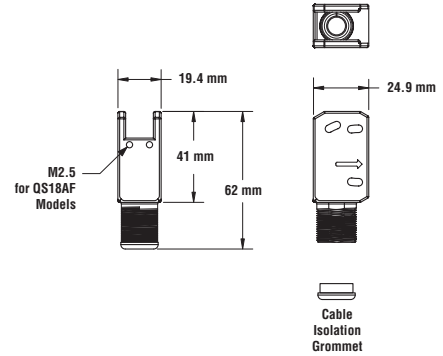
SMBQS18A

- Die-cast bracket for 18 mm holes or in combination with a swivel bracket
- Wrap-around bracket for protection
- Includes metal hex nut, lock washer and grommet



Used With

- QS18
- QS18U



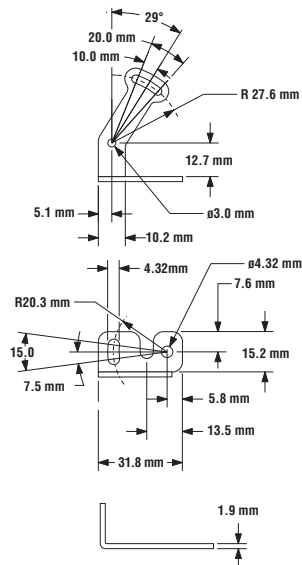
SMBQS18AF

- 14-ga. 304 stainless steel
- Right-angle mounting bracket



Used With

- QS18AF (only)



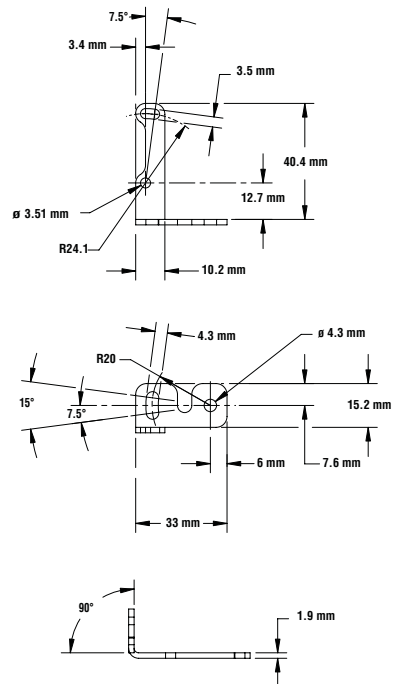
SMBQS18RA

- 14-ga. 304 stainless steel
- Right-angle mounting bracket




Used With

- QS18 (except QS18AF)
- QS18U



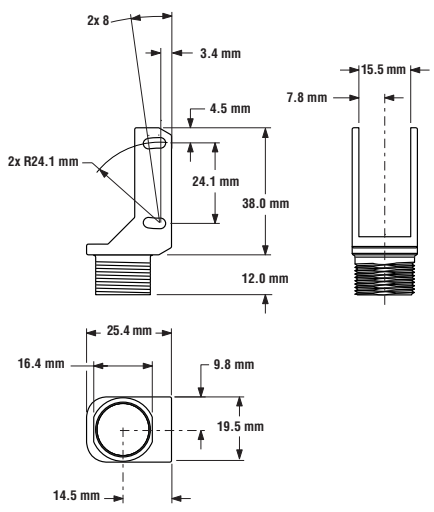

SMBQS18Y

- Die-cast bracket for 18 mm holes
- Includes metal hex nut and lock washer
- Cabled units tilt $\pm 8^\circ$




Used With

- QS18
- QS18U

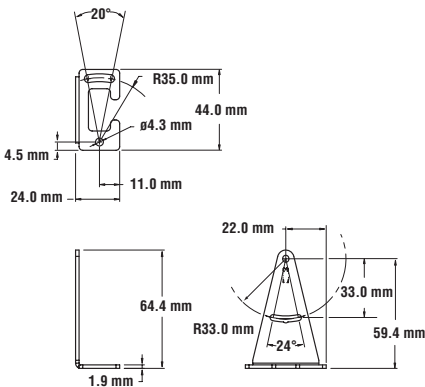

SMBQS30L

- 14-ga. stainless steel right-angle bracket for cable models
- Clearance for M4 (#8) hardware
- $\pm 12^\circ$ tilt adjustment




Used With

- QS30

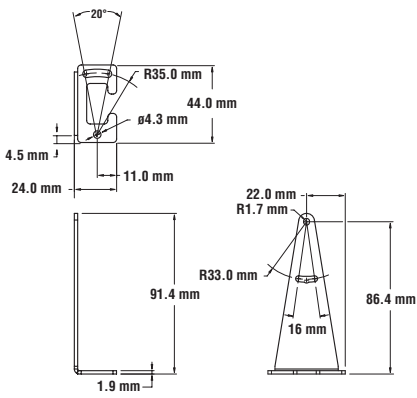

SMBQS30LT

- 14-ga. stainless steel tall right-angle bracket for QD models
- $\pm 8^\circ$ tilt adjustment




Used With

- QS30 with integral QDs

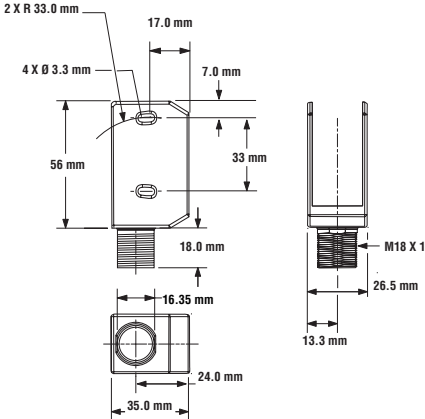

SMBQS30Y

- Heavy-duty die-cast bracket
- M18 vertical mounting option
- $\pm 8^\circ$ tilt adjustment with cabled units
- Includes nuts and lock washer



Used With

- QS30

ACCESSORIES

Brackets

Accessories

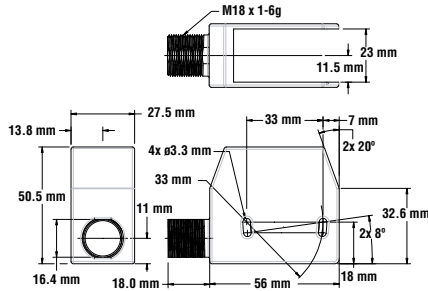
SMBQS30YL

- Heavy-duty die-cast bracket designed for industrial protection
- Replaceable window
- M18 vertical mount option
- Includes nuts and lock washer



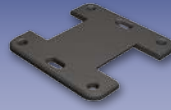
Used With

- QS30



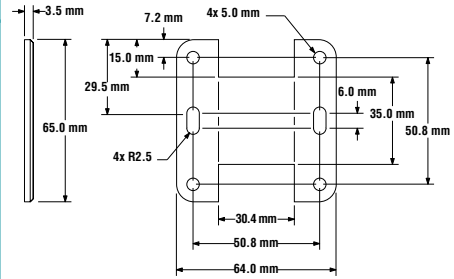
SMBR55F01

- Molded PBT polyester
- Flat-mounting bracket
- Eliminates need for DIN rail



Used With

- R55F
- D10
- D12



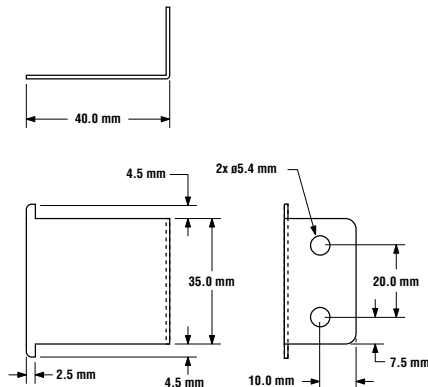
SMBR55FRA

- 19-ga. stainless steel
- Side-mounting bracket
- Eliminates need for DIN rail



Used With

- R55F
- D10
- D12



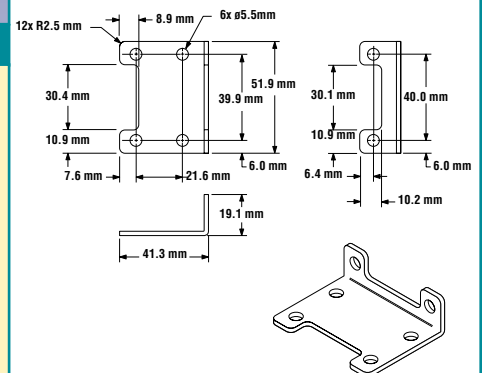
SMBSL

- 304 stainless steel angled bracket
- Includes hardware



Used With

- SL10
- SL30



ACCESSORIES

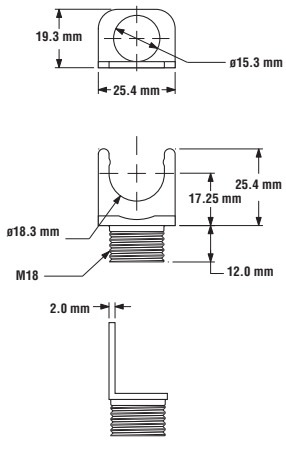
SMBT18Y

- Die-cast bracket for mounting into 18 mm holes
- Includes metal hex nut
- For use with Euro-style QD connectors and cabled versions



Used With

- T18
- T18U
- EZ-LIGHT T18



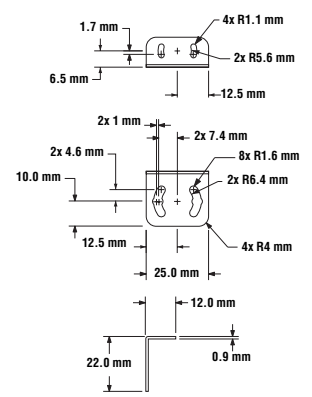
SMBVS1S

- Short bracket
- 18-ga. stainless steel



Used With

- VS1



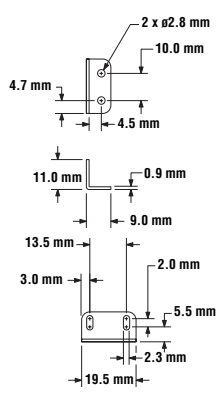
SMBVS1SC

- Short bracket
- 18-ga. stainless steel



Used With

- VS1



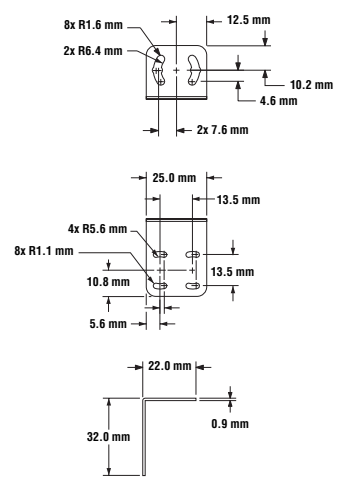
SMBVS1T

- Tall bracket
- Stainless steel



Used With

- VS1



ACCESSORIES

Brackets

Accessories

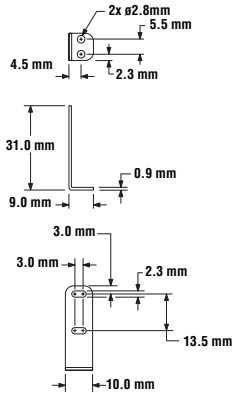
SMBVS1TC

- Tall compact bracket
- 300 stainless steel



Used With

- VS1



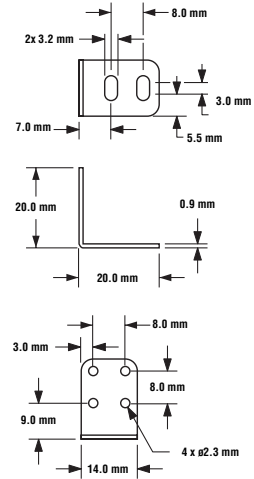
SMBVS2RA

- Right-angle bracket
- Stainless steel



Used With

- VS2



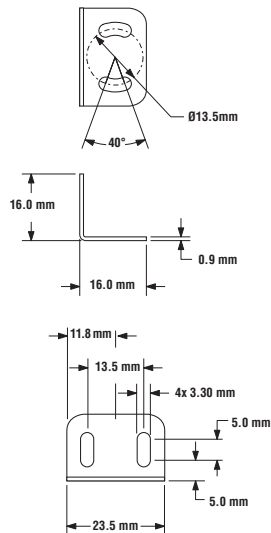
SMBVS3S

- Right-angle bracket
- 300 stainless steel



Used With

- VS3



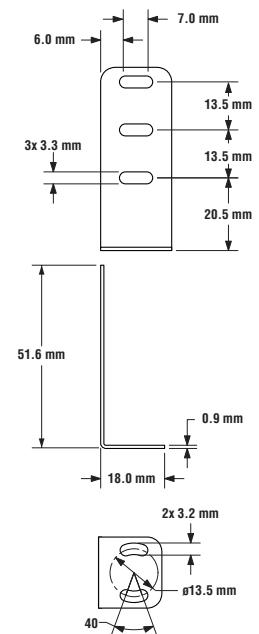
SMBVS3T

- Right-angle tall bracket
- 300 stainless steel



Used With

- VS3



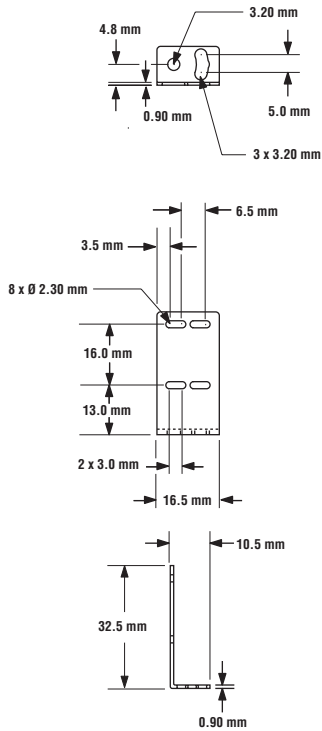
SMBVS4SRA

- Right-angle bracket
- 300 series stainless steel



Used With

- VS4



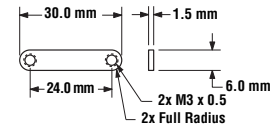
SMH241F

- Nut strap replaces two M3 mounting nuts and washers
- 16-ga. stainless steel



Used With

- QS18
- MINI-BEAM
- Q23/QH23
- QM42/QMT42
- QS18U



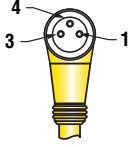
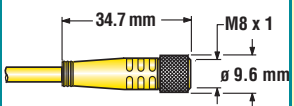
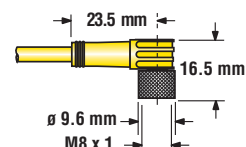
Quick-Disconnect Cables – Pico-Style (M8)

Accessories

3-Pin Threaded Pico-Style Cables

Cable: PVC jacket, 3 x 24 AWG
Connector: PUR body, nickel-plated brass coupling nut, gold-plated contacts
Voltage/Current Rating: 125V ac/dc, 4.0 A
Temperature: +105° C

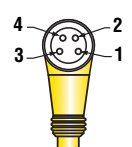
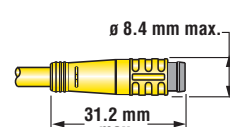


Female Pinout	Model	Style	Length	Dimensions	Used With
 1 = Brown 3 = Blue 4 = Black	PKG3M-2	Straight	2 m		<ul style="list-style-type: none"> • T8 • VS1 • VS2 • VS3 • VS4 • SLM
	PKG3M-9	Straight	9 m		
	PKW3M-2	Right-Angle	2 m		
	PKW3M-9	Right-Angle	9 m		

4-Pin Snap-On Pico-Style Cables

Cable: PVC jacket, 3 x 26 AWG
Connector: PUR body, snap lock, POM locking sleeve (right-angle only), gold-plated contacts
Voltage/Current Rating: 125V ac/dc, 4.0 A
Temperature: +105° C



Female Pinout	Model	Style	Length	Dimensions	Used With
 1 = Brown 2 = White 3 = Blue 4 = Black	PKG4-2	Straight	2 m		<ul style="list-style-type: none"> • MINI-BEAM 2 • QS18 • Q23 • D12 • D10A
	PKW4Z-2	Right-Angle	2 m		

ACCESSORIES

4-Pin Snap-On Pico-Style Cables with Shield

Cable: PVC jacket, 4 x 26 AWG with 26 AWG drain wire
Connector: PUR body, snap lock, POM locking sleeve (right-angle only), nickel-plated brass coupling nut, gold-plated contacts
Voltage/Current Rating: 125V ac/dc, 4.0 A **Temperature:** +105° C



Female Pinout	Model	Style	Length	Dimensions	Used With
 1 = Brown 2 = White 3 = Blue 4 = Black	PKG4S-2	Straight	2 m		• QS18U
	PKW4ZS-2	Right-Angle	2 m		

4-Pin Threaded Pico-Style Cables

Cable: PVC jacket, 4 x 26 AWG
Connector: PUR body, snap lock, nickel-plated brass coupling nut, gold-plated contacts
Voltage/Current Rating: 125V ac/dc, 4.0 A
Temperature: +105° C



Female Pinout	Model	Style	Length	Dimensions	Used With
 1 = Brown 2 = White 3 = Blue 4 = Black	PKG4M-2	Straight	2 m		• Q12
	PKG4M-9	Straight	9 m		
	PKW4M-2	Right-Angle	2 m		
	PKW4M-9	Right-Angle	9 m		

6-Pin Snap-On Pico-Style Cables

Cable: PVC jacket, 6 x 26 AWG
Connector: PUR body, POM locking sleeve, gold-plated contacts
Voltage/Current Rating: 125V ac/dc, 2.0 A
Temperature: +105° C



Female Pinout	Model	Style	Length	Dimensions	Used With
 1 = Brown 4 = Black 2 = White 5 = Gray 3 = Blue 6 = Pink	PKG6Z-2	Straight	2 m		• D10 • FI22
	PKG6Z-9	Straight	9 m		
	PKW6Z-2	Right-Angle	2 m		
	PKW6Z-9	Right-Angle	9 m		

ACCESSORIES

4-Pin Euro-Style Cables

Cable: PVC jacket, polyurethane connector body, chrome-plated brass coupling nut
Conductors: 22 or 20 AWG high-flex stranded, gold-plated contacts
Voltage Rating: 250V ac/300V dc
Temperature: -40° to +90° C



Female Pinout	Model	Style	Length	Dimensions	Used With
<p>1 = Brown 2 = White 3 = Blue 4 = Black</p>	MQDC-406	Straight	2 m		<ul style="list-style-type: none"> • QS18 • OMNI-BEAM (QDH suffix) • Q45 dc sensors (Q5 suffix) • MINI-BEAM dc SM312 sensors • S18, M18, T18, Q25, S30, T30, Q40 • QM42 • QL50/QL55 • SLM • T18U • K50 • PVA • VTB and STB • EZ-LIGHT
	MQDC-415	Straight	5 m		
	MQDC-430	Straight	9 m		
	MQDC-406RA	Right-Angle	2 m		
	MQDC-415RA	Right-Angle	5 m		
	MQDC-430RA	Right-Angle	9 m		

4-Pin Euro-Style Cables with Shield

Cable: PVC jacket, polyurethane connector body, chrome-plated brass coupling nut
Conductors: 22 or 20 AWG high-flex stranded, gold-plated contacts
Voltage Rating: 250V ac/300V dc
Temperature: -40° to +90° C

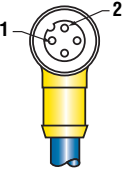
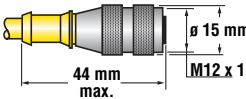
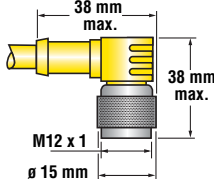


Female Pinout	Model	Style	Length	Dimensions	Used With
<p>1 = Brown 2 = White 3 = Blue 4 = Black</p>	MQDEC2-406	Straight	2 m		<ul style="list-style-type: none"> • QS18U
	MQDEC2-415	Straight	5 m		
	MQDEC2-430	Straight	9 m		
	MQDEC2-406RA	Right-Angle	2 m		
	MQDEC2-415RA	Right-Angle	5 m		
	MQDEC2-430RA	Right-Angle	9 m		

4-Pin Euro-Style Cables (for use with NAMUR sensors)

Cable: PVC jacket, polyurethane connector body, chrome-plated brass coupling nut
 Conductors: 22 or 20 AWG high-flex stranded, gold-plated contacts
 Voltage Rating: 250V ac/300V dc
 Temperature: -40° to +90° C

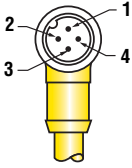
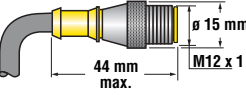
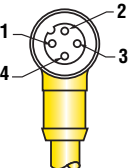
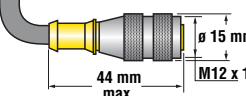
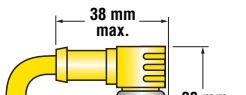
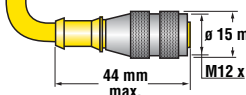


Female Pinout	Model	Style	Length	Dimensions	Used With
 <p>1 = Brown 2 = Blue</p>	MQD9-406	Straight	2 m		<ul style="list-style-type: none"> MINI-BEAM & Q45 NAMUR sensors
	MQD9-415	Straight	5 m		
	MQD9-406RA	Right-Angle	2 m		
	MQD9-415RA	Right-Angle	5 m		

4-Pin Euro-Style Cables - Double Ended

Cable: PVC jacket, polyurethane connector body, chrome-plated brass coupling nut
 Conductors: 22 or 20 AWG high-flex stranded, gold-plated contacts
 Voltage Rating: 250V ac/300V dc
 Temperature: -40° to +90° C



Pinout	Model	Style	Length	Dimensions	Used With	
<p>Male</p> 	MQDEC-403SS	Male Straight/ Female Straight	1 m		<ul style="list-style-type: none"> QS18 OMNI-BEAM (QDH suffix) Q45 dc sensors (Q5 suffix) MINI-BEAM dc SM312 sensors S18, M18, T18, Q25, S30, T30, Q40 QM42 T18U PVA VTB and STB EZ-LIGHT 	
	MQDEC-406SS		2 m			
	MQDEC-412SS		4 m			
	MQDEC-420SS		7 m			
	MQDEC-430SS		10 m			
<p>Female</p>  <p>1 = Brown 2 = White 3 = Blue 4 = Black</p>	MQDEC-450SS	15 m				
	MQDEC-403RS	Male Right Angle/ Female Straight		1 m		
	MQDEC-406RS			2 m		
	MQDEC-412RS			4 m		
	MQDEC-420RS			7 m		
	MQDEC-430RS			10 m		
	MQDEC-450RS			15 m		
MQDEC-430SS	10 m					
MQDEC-450SS	15 m					

ACCESSORIES

5-Pin Euro-Style Cables

Cable: PVC jacket, polyurethane connector body, chrome-plated brass coupling nut
Conductors: 22 or 20 AWG high-flex stranded, gold-plated contacts
Voltage Rating: 250V ac/300V dc
Temperature: -40° to +90° C



Female Pinout	Model	Style	Length	Dimensions	Used With
<p>1 = Brown 2 = White 3 = Blue 4 = Black 5 = Gray</p>	MQDC1-506	Straight	2 m		<ul style="list-style-type: none"> • MINI-BEAM <i>Expert</i> • QS30 • PicoDot • Q45 Laser Retro • R55F • SL30 & SL30E • SL10 & SL10E • SLC1 • Q60 • PVD • STB • VTB (2-color)
	MQDC1-515	Straight	5 m		
	MQDC1-530	Straight	9 m		
	MQDC1-506RA	Right-Angle	2 m		
	MQDC1-515RA	Right-Angle	5 m		
	MQDC1-530RA	Right-Angle	9 m		

5-Pin Euro-Style Cables with Shield

Cable: PVC jacket, polyurethane connector body, chrome-plated brass coupling nut
Conductors: 22 or 20 AWG high-flex stranded, gold-plated contacts
Voltage Rating: 250V ac/300V dc
Temperature: -40° to +90° C

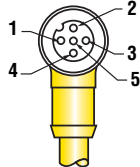
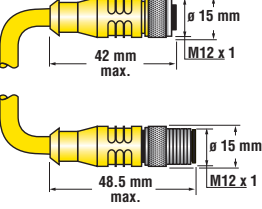
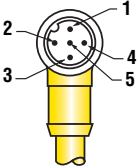


Female Pinout	Model	Style	Length	Dimensions	Used With
<p>1 = Brown 2 = White 3 = Blue 4 = Black 5 = Gray</p>	MQDEC2-506	Straight	2 m		<ul style="list-style-type: none"> • Q50 • R58E • M-GAGE Q7M • M-GAGE S18M • QT50U dc sensors • S18U • T30U • Q45U • Q45UR • T-GAGE M18T • LX
	MQDEC2-515	Straight	5 m		
	MQDEC2-530	Straight	9 m		
	MQDEC2-506RA	Right-Angle	2 m		
	MQDEC2-515RA	Right-Angle	5 m		
	MQDEC2-530RA	Right-Angle	9 m		

5-Pin Euro-Style Cables - Double Ended

Cable: PVC jacket, polyurethane connector body, chrome-plated brass coupling nut
Conductors: 22 or 20 AWG high-flex stranded, gold-plated contacts
Voltage Rating: 250V ac/300V dc
Temperature: -40° to +90° C



Pinout	Model	Style	Length	Dimensions	Used With
Female 	DEE2R-51D	Female Straight/ Male Straight	0.3 m		<ul style="list-style-type: none"> • MINI-BEAM Expert • QS30 • PicoDot • Q45 Laser Retro • R55F • SL30 & SL30E • SL10 & SL10E • SLC1 • Q60 • PVD • STB • VTB (2-color)
	DEE2R-53D		1 m		
	DEE2R-58D		2.4 m		
Male 	DEE2R-515D		4.5 m		
	DEE2R-525D		8 m		
	DEE2R-550D		15 m		
	DEE2R-575D		23 m		
	DEE2R-5100D		30 m		

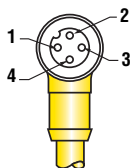
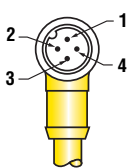
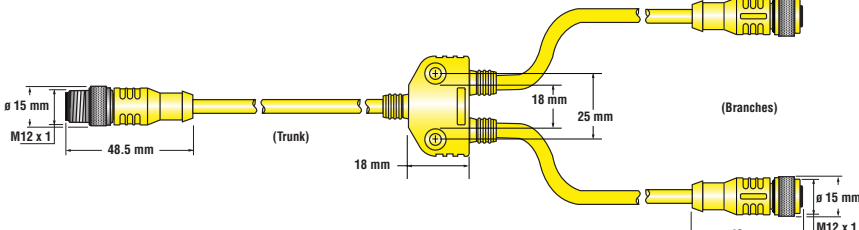
1 = Brown
 2 = White
 3 = Blue
 4 = Black
 5 = Gn/Ye



4-Pin Euro-Style Splitter Cables

Cable: PVC jacket, polyurethane connector body, chrome-plated brass coupling nut
Conductors: 22 AWG high-flex stranded, gold-plated contacts
Temperature: -40° to +90° C
Voltage Rating: 250V ac/300V dc



Connections				
Pinout	Model	Branches	Trunk	Used With
Female 	CSB-M1240M1240*	4-Pin Euro QD No Branch Female	No Trunk Male	<ul style="list-style-type: none"> • Sensors w/4-pin Euro QD • EZ-LIGHT
	CSB-M1241M1241		0.3 m Male	
	CSB-M1248M1241		2.5 m Male	
	CSB-M12415M1241		5 m Male	
	CSB-M12425M1241		8 m Male	
	CSB-UNT425M1241		8 m Unterminated	
Male 				
	Dimensions			
				

1 = Brown
 2 = White
 3 = Blue
 4 = Black



ACCESSORIES

* CSB-M1240M1240 replaces models number MDCVB4T.

8-Pin Euro-Style Cables with Shield

Cable: PVC jacket, polyurethane connector body, chrome-plated brass coupling nut
Conductors: 22 or 20 AWG high-flex stranded, gold-plated contacts
Voltage Rating: 250V ac/300V dc
Temperature: -40° to +90° C



Female Pinout	Model	Style	Length	Dimensions	Used With
<p>1 = White 5 = Gray 2 = Brown 6 = Pink 3 = Green 7 = Blue 4 = Yellow 8 = Shield</p>	<p>MQDC-806 MQDC-815 MQDC-830</p>	<p>Straight Straight Straight</p>	<p>2 m 5 m 9 m</p>		<ul style="list-style-type: none"> • LT3 • LG5 • LG10

8-Pin Euro-Style Cables with Open-Shield

Cable: PVC jacket, polyurethane connector body, chrome-plated brass coupling nut
Conductors: 22 or 20 AWG high-flex stranded, gold-plated contacts
Voltage Rating: 250V ac/300V dc
Temperature: -40° to +90° C

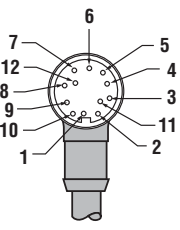



Female Pinout	Model	Style	Length	Dimensions	Used With
<p>1 = White 5 = Gray 2 = Brown 6 = Pink 3 = Green 7 = Blue 4 = Yellow 8 = Red</p>	<p>MQDC2S-806 MQDC2S-815 MQDC2S-830</p>	<p>Straight Straight Straight</p>	<p>2 m 5 m 9 m</p>		<ul style="list-style-type: none"> • QC50 • QCX50

12-Pin M16 Cable

Cable: PVC jacket, nickel-plated brass coupling nut
 Conductors: 22 AWG
 Voltage Rating: 250V ac
 Temperature: -30° to +80° C

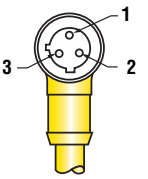
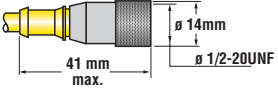
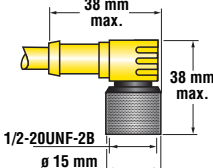


Female Pinout	Model	Style	Length	Dimensions	Used With
 <p>1 = White 7 = Red 2 = Brown 8 = Black 3 = Green 9 = Violet 4 = Yellow 10 = Gy/Pk 5 = Gray 11 = Rd/Bu 6 = Pink 12 = Blue</p>	<p>MQDC-1210ST MQDC-1230ST</p>	<p>Straight Straight</p>	<p>3 m 10 m</p>		<p>• LT7</p>

3-Pin Micro-Style Cables

Cable: PVC jacket, 3 x 22 AWG
 Connector: PUR body, nickel-plated brass coupling nut, gold-plated contacts
 Voltage/Current Rating: 250V ac/dc, 4.0 A
 Temperature: +105° C

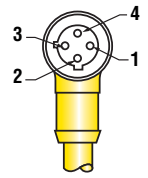
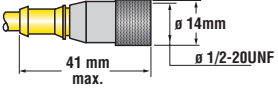
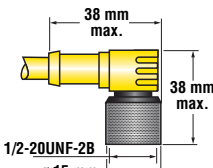


Female Pinout	Model	Style	Length	Dimensions	Used With
 <p>1 = Green 2 = Red/Black 3 = Red/White</p>	MQDC-306 MQDC-315 MQDC-330	Straight Straight Straight	2 m 5 m 9 m		<ul style="list-style-type: none"> • MINI-BEAM ac SM2A312 sensors
	MQDC-306RA MQDC-315RA MQDC-330RA	Right-Angle Right-Angle Right-Angle	2 m 5 m 9 m		

4-Pin Micro-Style Cables

Cable: PVC jacket, 4 x 22 AWG
 Connector: PUR body, nickel-plated brass coupling nut, gold-plated contacts
 Voltage/Current Rating: 250V ac/dc, 4.0 A
 Temperature: +105° C

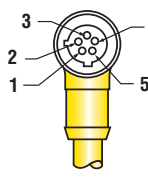
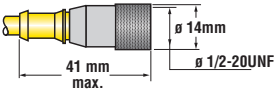
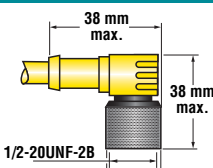


Female Pinout	Model	Style	Length	Dimensions	Used With
 <p>1 = Red/Black 2 = Red/White 3 = Red 4 = Green</p>	MQAC-406 MQAC-415 MQAC-430	Straight Straight Straight	2 m 5 m 9 m		<ul style="list-style-type: none"> • Q45 ac series (suffix Q1) • S18, M18, T18, Q25, S30, T30 & Q40 ac sensors (suffix Q1) • Q60
	MQAC-406RA MQAC-415RA MQAC-430RA	Right-Angle Right-Angle Right-Angle	2 m 5 m 9 m		

5-Pin Micro-Style Cables with Shield

Cable: PVC jacket, 5 x 22 AWG with 22 AWG drain wire
 Connector: PUR body, nickel-plated brass coupling nut, gold-plated contacts
 Voltage/Current Rating: 250V ac/dc, 4.0 A
 Temperature: +105° C

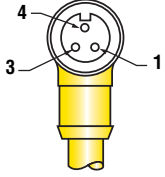
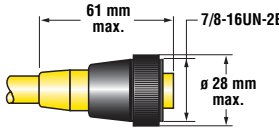


Female Pinout	Model	Style	Length	Dimensions	Used With
 <p>1 = Brown 2 = White 3 = Yellow 4 = Black 5 = Blue</p>	MQVR3S-506 MQVR3S-515 MQVR3S-530	Straight Straight Straight	2 m 5 m 9 m		<ul style="list-style-type: none"> • QT50U Universal Voltage
	MQVR3S-506RA MQVR3S-515RA MQVR3S-530RA	Right-Angle Right-Angle Right-Angle	2 m 5 m 9 m		

3-Pin Mini-Style Cables

Cable: PVC jacket, polyurethane connector body, nylon coupling nut
Conductors: 18 AWG high-flex stranded, PVC insulation, gold-plated contacts
Voltage Rating: 250V ac/300V dc
Temperature: -40° to +80° C



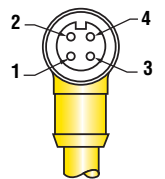
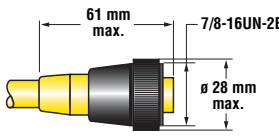
Female Pinout	Model	Style	Length	Dimensions	Used With
 <p>1 = Brown 3 = Blue 4 = Black</p>	MBCC-306 MBCC-312 MBCC-330	Straight Straight Straight	2 m 4 m 9 m		<ul style="list-style-type: none"> • Q45
	SMICC-306 SMICC-312 SMICC-330	Straight Straight Straight	2 m 4 m 9 m		<ul style="list-style-type: none"> • SMI30 Intrinsically Safe dc sensors
	1 = Red/Black 4 = Green 3 = Red/White	SM30CC-306 SM30CC-312	Straight Straight		2 m 4 m



4-Pin Mini-Style Cables

Cable: PVC jacket, polyurethane connector body, nylon coupling nut
Conductors: 18 AWG high-flex stranded, PVC insulation, gold-plated contacts
Voltage Rating: 250V ac/300V dc
Temperature: -40° to +80° C



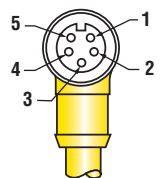
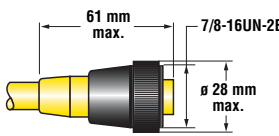
Female Pinout	Model	Style	Length	Dimensions	Used With
 <p>1 = Brown 2 = White 3 = Blue 4 = Black</p>	MBCC-406 MBCC-412 MBCC-430	Straight Straight Straight	2 m 4 m 9 m		<ul style="list-style-type: none"> • Q45 dc sensors (suffix Q) • OMNI-BEAM dc power blocks • SM30 dc sensors • OTB w/solid-state output • STB



5-Pin Mini-Style Cables

Cable: PVC jacket, polyurethane connector body, nylon coupling nut
Conductors: 18 AWG high-flex stranded, PVC insulation, gold-plated contacts
Voltage Rating: 250V ac/300V dc
Temperature: -40° to +80° C



Female Pinout	Model	Style	Length	Dimensions	Used With
 <p>1 = Black 2 = Blue 3 = Yellow 4 = Brown 5 = White</p>	MBCC-506 MBCC-512 MBCC-530	Straight Straight Straight	2 m 4 m 9 m		<ul style="list-style-type: none"> • Q45 Laser Retro • OMNI-BEAM ac power blocks • OMNI-BEAM dc w/ e/m relay • OTB & LTB w/ SPDT relay • Q45 5-wire ac • STB



ACCESSORIES

5-Pin Mini-Style Cables with Shield

Cable: PVC jacket, polyurethane connector body, nylon coupling nut
Conductors: 18 AWG high-flex stranded, PVC insulation, gold-plated contacts
Voltage Rating: 250V ac/300V dc
Temperature: -40° to +80° C



Female Pinout	Model	Style	Length	Dimensions	Used With
<p>1 = Black 2 = Blue 3 = Yellow 4 = Brown 5 = White</p>	MBCC2-506	Straight	2 m		<ul style="list-style-type: none"> • QT50U • Q45U • Q45UR
	MBCC2-512	Straight	4 m		
	MBCC2-530	Straight	9 m		

5-Pin Mini-Style Cables with Shield and "Twisted Pair"

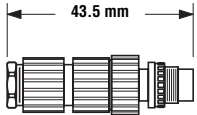
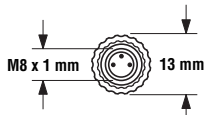
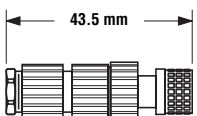
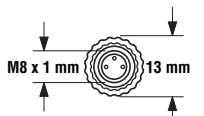
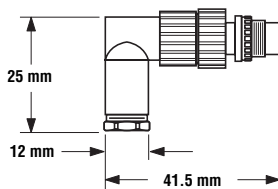
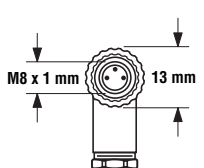
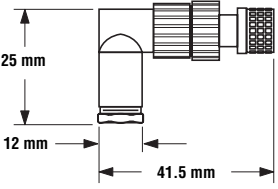
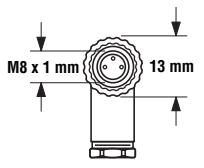
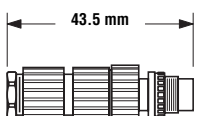
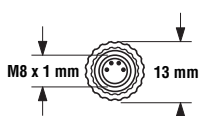
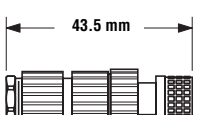
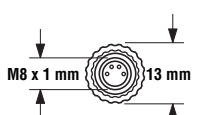
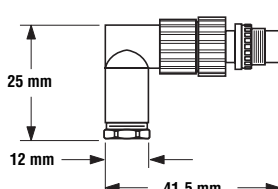
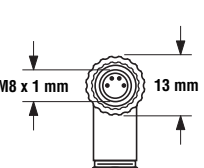
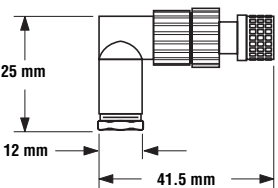
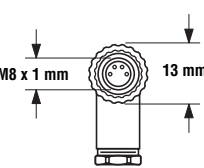
Cable: PVC jacket, polyurethane connector body, nylon coupling nut
Conductors: 18 AWG high-flex stranded, PVC insulation, gold-plated contacts
Temperature: -40° to +80° C
Voltage Rating: 250V ac/300V dc



Pinout	Model	Style	Length	Dimensions	Used With
<p>1 = Black 2 = Blue 3 = Drain 4 = Brown 5 = White</p>	QDC-515C	Female Straight	5 m		<ul style="list-style-type: none"> • MINI-ARRAY • High-Resolution MINI-ARRAY
	QDC-525C		8 m		
	QDC-550C		15 m		
	MAQDC-575C		22 m		
	MAQDC-5100C		30 m		
	MAQDC-5125C		38 m		
	MAQDC-5150C		45 m		

Pico-Style Field-Wireable Connectors (M8)

Contacts: Gold-plated, rated 60V ac/dc max., 4 A max.
 Cable Diameter: 4.0 to 5.0 mm
 Temperature: -25° to +70° C
 Environmental Rating: NEMA 6P, IP67

Style	Model	Gender	Dimensions	Pin-out
3-Pin Straight	FIC-M8M3	Male		
	FIC-M8F3	Female		
3-Pin Right-Angle	FIC-M8M3A	Male		
	FIC-M8F3A	Female		
4-Pin Straight	FIC-M8M4	Male		
	FIC-M8F4	Female		
4-Pin Right-Angle	FIC-M8M4A	Male		
	FIC-M8F4A	Female		

ACCESSORIES

Euro-Style Field-Wireable Connectors (M12)

Contacts: Gold-plated; 4-pin models rated 250V ac/dc max., 4 A max.; 5-pin models rated 50V ac/dc max., 4 A max.

Cable Diameter: 4.0 to 5.0 mm

Temperature: -25° to +90° C

Environmental Rating: NEMA 6P, IP67

Style	Model	Gender	Dimensions	Pin-out
4-Pin Straight	FIC-M12M4	Male		
	FIC-M12F4	Female		
4-Pin Right-Angle	FIC-M12M4A	Male		
	FIC-M12F4A	Female		
5-Pin Straight	FIC-M12M5	Male		
	FIC-M12F5	Female		
5-Pin Right-Angle	FIC-M12M5A	Male		
	FIC-M12F5A	Female		

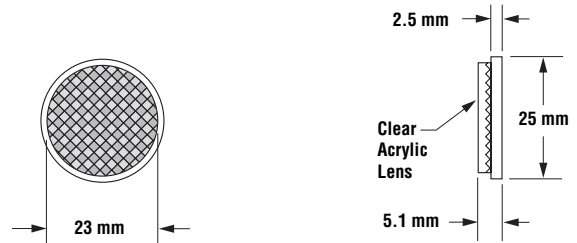
BRT-6

Description: Round, acrylic target
 Reflectivity Factor: 1.0
 Max. Temperature: 65° C



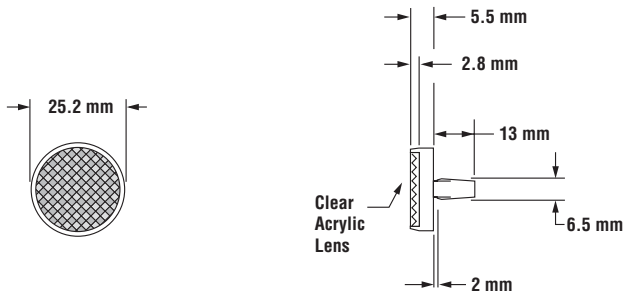
BRT-1

Description: Round, acrylic target
 Reflectivity Factor: 1.0
 Max. Temperature: 65° C



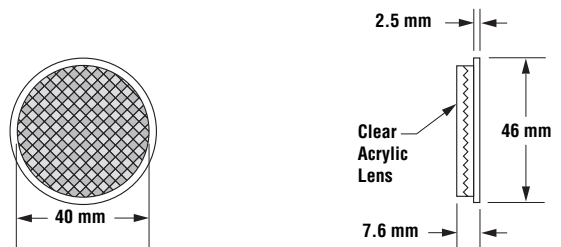
BRT-25R

Description: Round, rivet-secured acrylic target
 Reflectivity Factor: 1.0
 Max. Temperature: 50° C



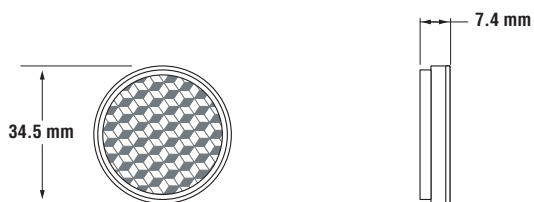
BRT-1.5

Description: Round, acrylic target
 Reflectivity Factor: 1.0
 Max. Temperature: 65° C



BRT-34

Description: Round, acrylic target
 Reflectivity Factor: 1.2
 Max. Temperature: 65° C



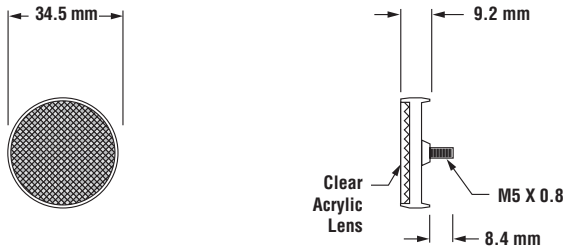
BRT-34T

Description: Round, acrylic target includes mounting tape
 Reflectivity Factor: 1.2
 Max. Temperature: 65° C



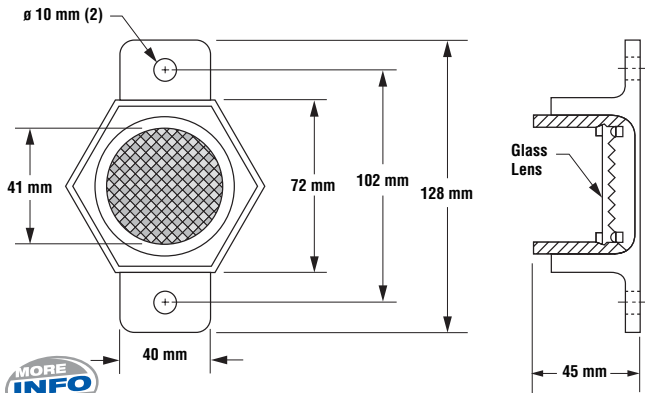
BRT-35DM

Description: Round, acrylic target
 Reflectivity Factor: 1.2
 Max. Temperature: 50° C
 Other: This target has micro-prism geometry.



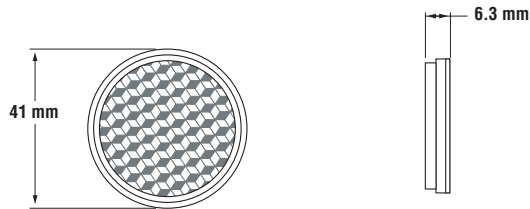
BRT-41AHT

Description: Round, borosilicate (Pyrex type) glass target
 Reflectivity Factor: 1.0
 Max. Temperature: 200° C



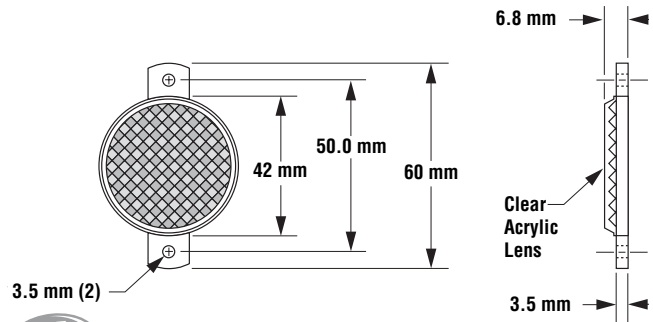
BRT-42

Description: Round, acrylic target
 Reflectivity Factor: 1.2
 Max. Temperature: 65° C



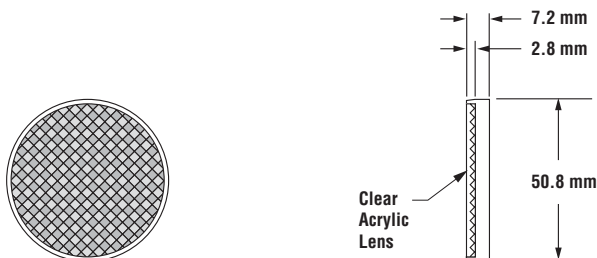
BRT-42A

Description: Round, acrylic target
 Reflectivity Factor: 1.2
 Max. Temperature: 50° C



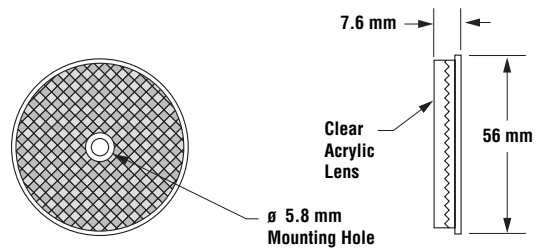
BRT-42D

Description: Round, acrylic target
 Reflectivity Factor: 1.2
 Max. Temperature: 50° C



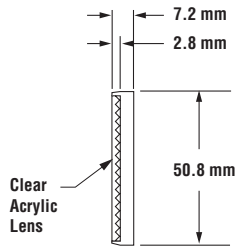
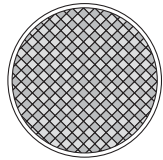
BRT-2A

Description: Round, acrylic target
 Reflectivity Factor: 1.0
 Max. Temperature: 65° C



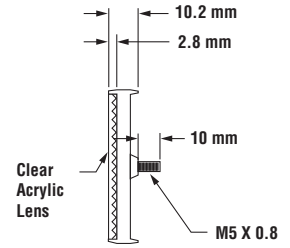
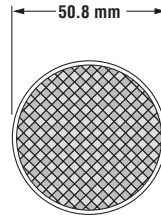
BRT-50

Description: Round, acrylic target
Reflectivity Factor: 1.0
Max. Temperature: 65° C



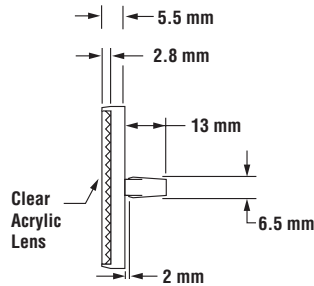
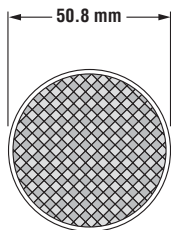
BRT-50D

Description: Round, acrylic target with mounting stud.
Reflectivity Factor: 1.0
Max. Temperature: 65° C
Other: Optional brackets are available. See Brackets on page 354.



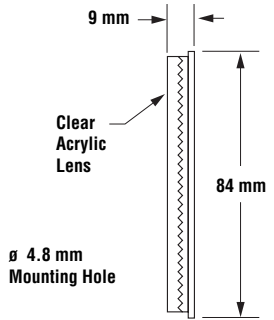
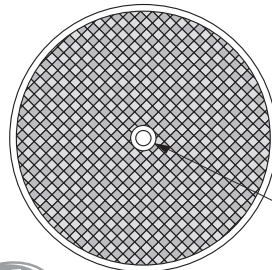
BRT-50R

Description: Round, rivet-secured acrylic target
Reflectivity Factor: 1.0
Max. Temperature: 50° C
Other: Optional brackets are available. See Brackets on page 354.



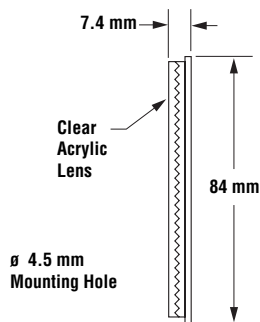
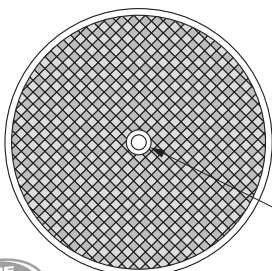
BRT-3

Description: Round, acrylic target
Reflectivity Factor: 1.0
Max. Temperature: 65° C
Other: Optional brackets are available. See Brackets on pages 354 and 355.



BRT-84

Description: Round, acrylic target
Reflectivity Factor: 1.4
Max. Temperature: 65° C
Other: Optional brackets are available. See Brackets on pages 354 and 355.

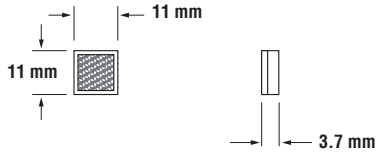


Reflectors

Accessories

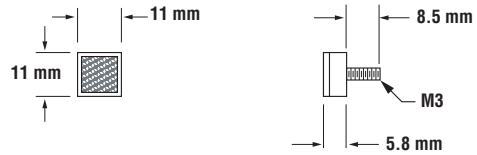
BRT-11X11M

Description: Square, acrylic target
Reflectivity Factor: 1.2
Max. Temperature: 65° C
Other: This target has micro-prism geometry.



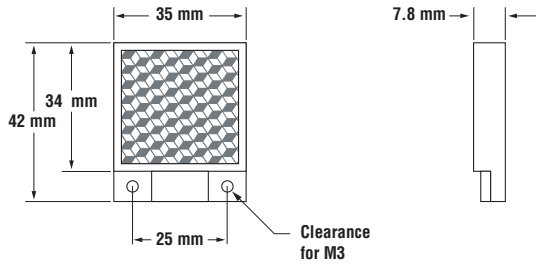
BRT-11X11MD

Description: Square, acrylic target with mounting stud
Reflectivity Factor: 1.2
Max. Temperature: 65° C
Other: This target has micro-prism geometry.



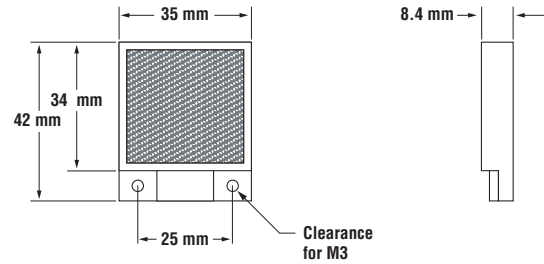
BRT-35X35B

Description: Square, acrylic target
Reflectivity Factor: 1.3
Max. Temperature: 65° C



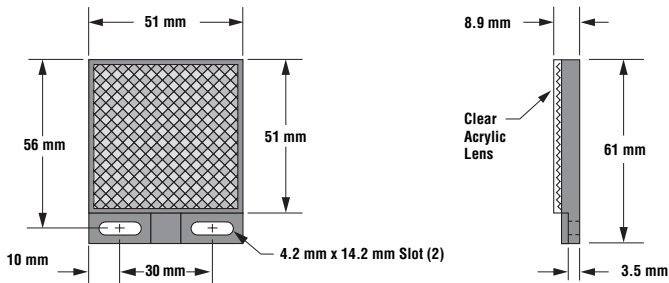
BRT-35X35BM

Description: Square, acrylic target
Reflectivity Factor: 1.2
Max. Temperature: 65° C
Other: This target has micro-prism geometry.



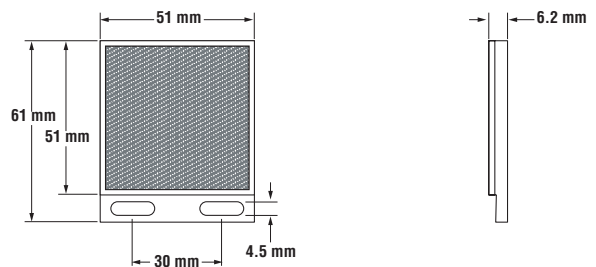
BRT-2X2

Description: Square, acrylic target
Reflectivity Factor: 1.0
Max. Temperature: 50° C
Other: Optional brackets are available. See Brackets on page 354.



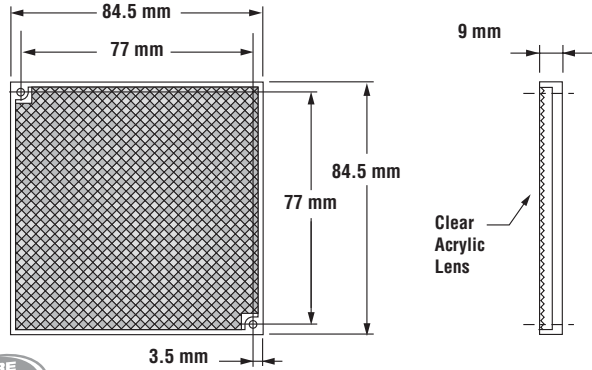
BRT-51X51BM

Description: Square, acrylic target
Reflectivity Factor: 1.5
Max. Temperature: 50° C
Other: This target has micro-prism geometry. Optional brackets are available on page 354. Replaces reflector BRT-36X40BM.



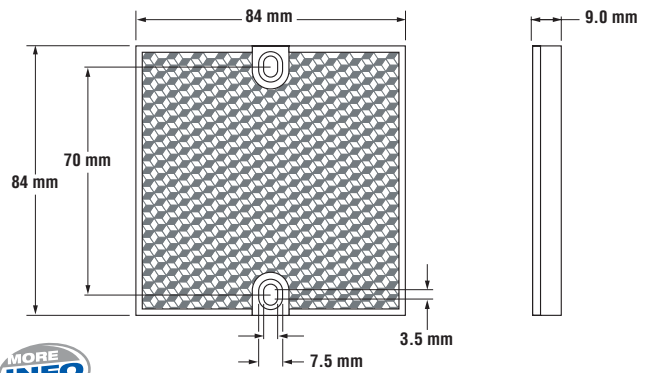
BRT-77X77C

Description: Square, acrylic target
Reflectivity Factor: 2.0
Max. Temperature: 50° C
Other: Optional brackets are available. See Brackets on pages 354 and 355.



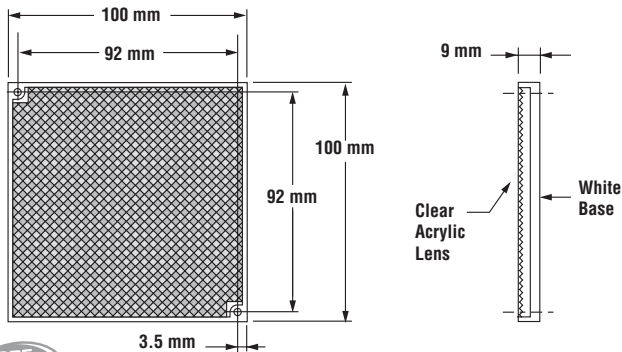
BRT-84X84A

Description: Square, acrylic target
Reflectivity Factor: 2.0
Max. Temperature: 50° C



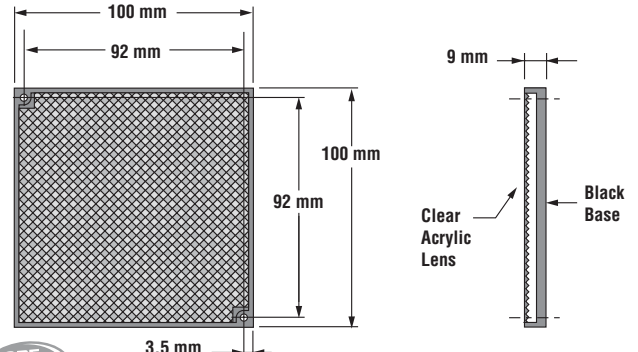
BRT-92X92C

Description: Square, acrylic target
Reflectivity Factor: 3.0
Max. Temperature: 50° C
Other: Optional brackets are available. See Brackets on page 355.



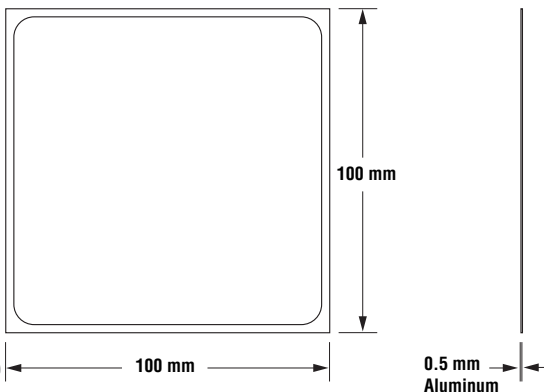
BRT-92X92CB

Description: Square, acrylic target with black mounting base
Reflectivity Factor: 3.0
Max. Temperature: 50° C
Other: Optional brackets are available. See Brackets on page 355.



BRT-4HT

Description: Square, aluminum target
Reflectivity Factor: 0.15
Max. Temperature: 480° C
Other: This target is not recommended for polarized retroreflective sensors.



BRT-250
BRT-540
BRT-700

• 250 x 250 mm
 • 540 x 540 mm
 • 700 x 700 mm
Other: Square reflector with rigid aluminum backing for use with LT7



Reflectors

Accessories

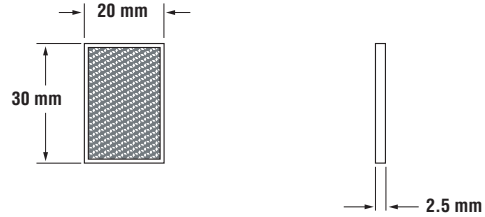
BRT-23X14CM

Description: Rectangular, acrylic target
 Reflectivity Factor: 1.2
 Max. Temperature: 65° C
 Other: This target has micro-prism geometry.



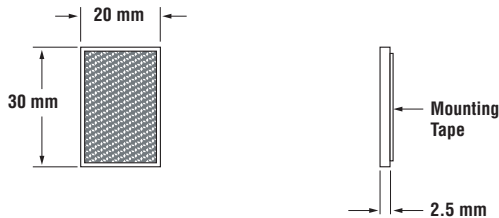
BRT-30X20M

Description: Rectangular, acrylic target
 Reflectivity Factor: 1.2
 Max. Temperature: 65° C



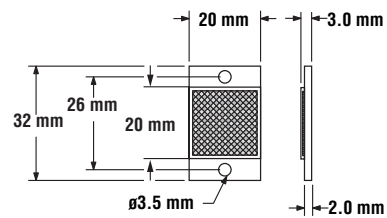
BRT-30X20MT

Description: Rectangular, acrylic target includes mounting tape
 Reflectivity Factor: 1.2
 Max. Temperature: 65° C



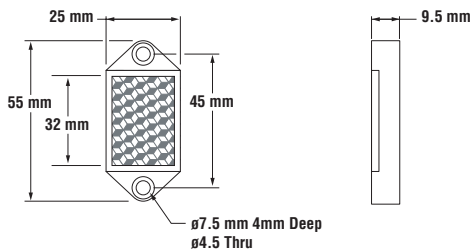
BRT-32X20AM

Description: Rectangular, thin profile acrylic target
 Reflectivity Factor: 1.2
 Max. Temperature: 65° C
 Other: This target has micro-prism geometry.



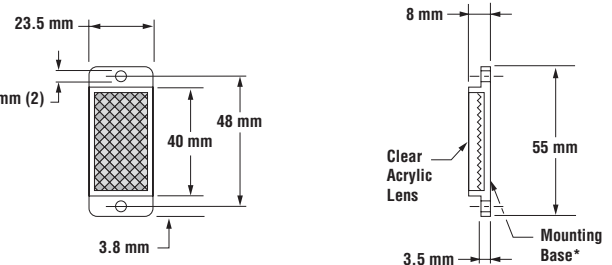
BRT-32X22A

Description: Rectangular, acrylic target
 Reflectivity Factor: 1.3
 Max. Temperature: 65° C



BRT-35X20A BRT-35X20AB

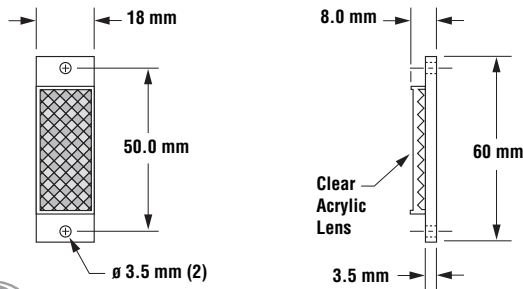
Description: Rectangular, acrylic target
 Reflectivity Factor: 1.4
 Max. Temperature: 50° C
 Other: White mounting base (SMB-35X20A) or black mounting base (SMB-35X20AB)



* Mounting base available in white (model BRT-35X20A) or black (model BRT-35X20AB).

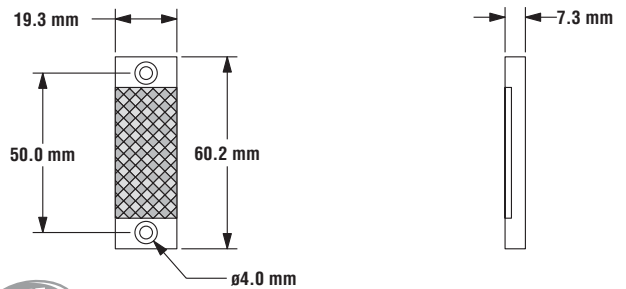
BRT-40X18A

Description: Rectangular, acrylic target
 Reflectivity Factor: 1.0
 Max. Temperature: 50° C



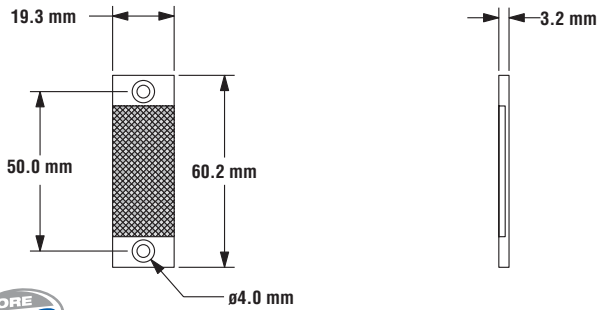
BRT-40X19A

Description: Rectangular, acrylic target
 Reflectivity Factor: 1.3
 Max. Temperature: 50° C



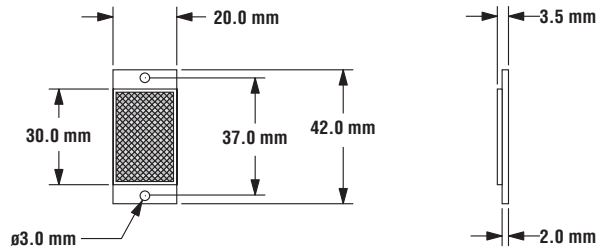
BRT-40X19AM

Description: Rectangular, thin profile acrylic target
 Reflectivity Factor: 1.2
 Max. Temperature: 50° C
 Other: This target has micro-prism geometry.



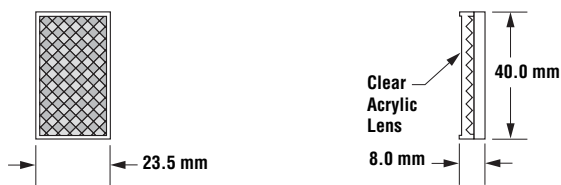
BRT-40X20AM

Description: Rectangular, thin profile acrylic target
 Reflectivity Factor: 1.2
 Max. Temperature: 50° C
 Other: This target has micro-prism geometry.



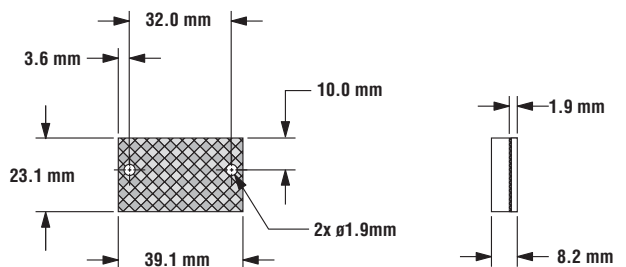
BRT-40X23

Description: Rectangular, acrylic target
 Reflectivity Factor: 1.4
 Max. Temperature: 50° C



BRT-40X23A

Description: Rectangular, acrylic target
 Reflectivity Factor: 1.4
 Max. Temperature: 50° C

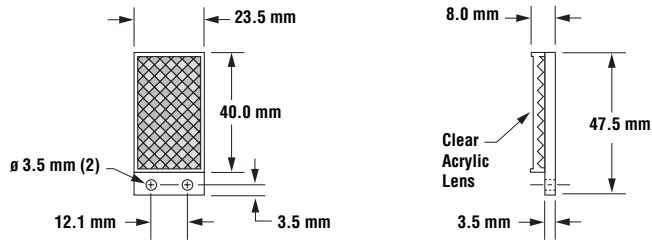


Reflectors

Accessories

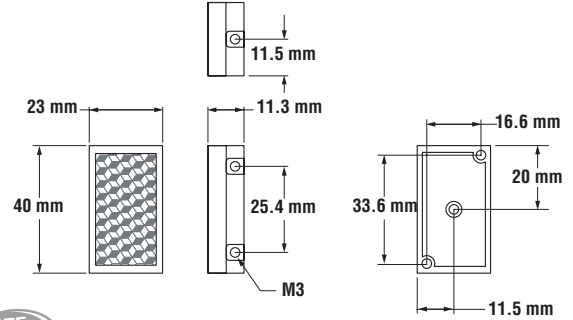
BRT-40X23B

Description: Rectangular, acrylic target
 Reflectivity Factor: 1.4
 Max. Temperature: 50° C



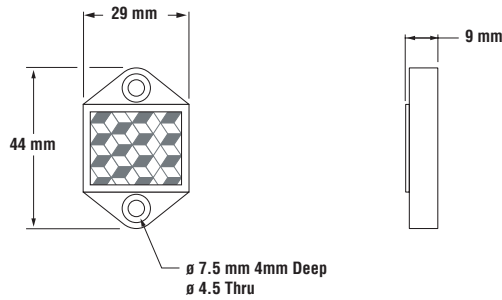
BRT-40X23ABC

Description: Rectangular, acrylic target
 Reflectivity Factor: 1.4
 Max. Temperature: 50° C



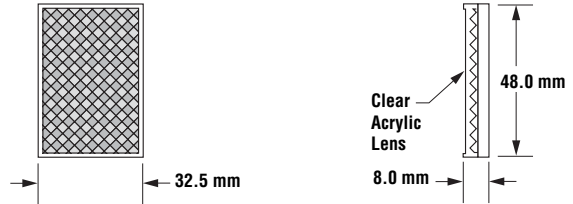
BRT-44X29A6

Description: Rectangular, acrylic target
 Reflectivity Factor: 1.1
 Max. Temperature: 50° C
 Other: 6 mm facets; close to the face retroreflective sensing with bifurcated lenses.



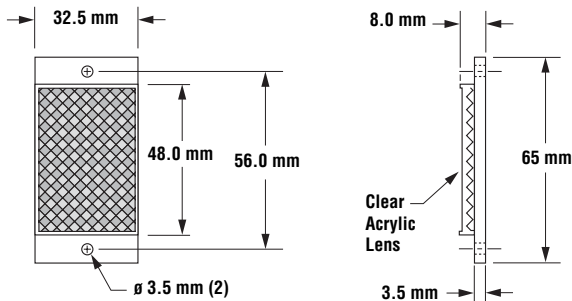
BRT-48X32

Description: Rectangular, acrylic target
 Reflectivity Factor: 1.0
 Max. Temperature: 50° C



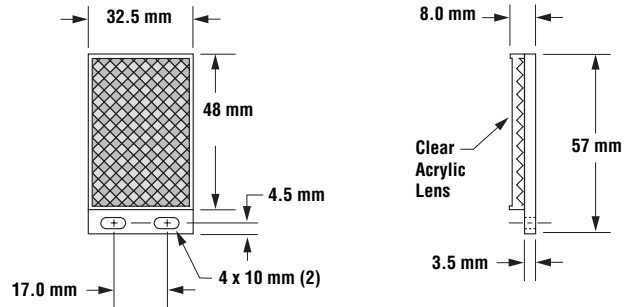
BRT-48X32A

Description: Rectangular, acrylic target
 Reflectivity Factor: 1.0
 Max. Temperature: 50° C



BRT-48X32B

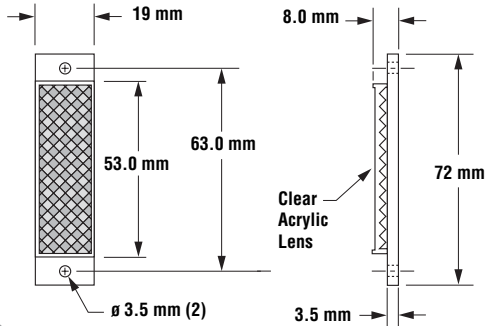
Description: Rectangular, acrylic target
 Reflectivity Factor: 1.0
 Max. Temperature: 50° C



ACCESSORIES

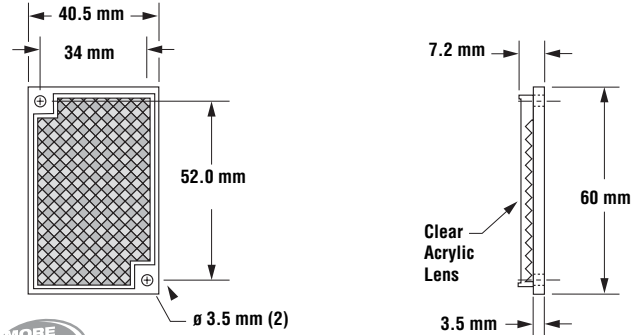
BRT-53X19A

Description: Rectangular, acrylic target
 Reflectivity Factor: 1.4
 Max. Temperature: 50° C



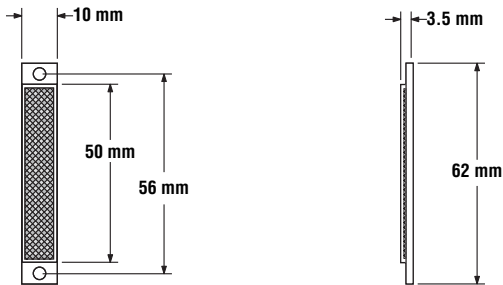
BRT-60X40C

Description: Rectangular, acrylic target
 Reflectivity Factor: 1.4
 Max. Temperature: 50° C
 Other: This target has micro-prism geometry. Optional brackets are available. See page 354.



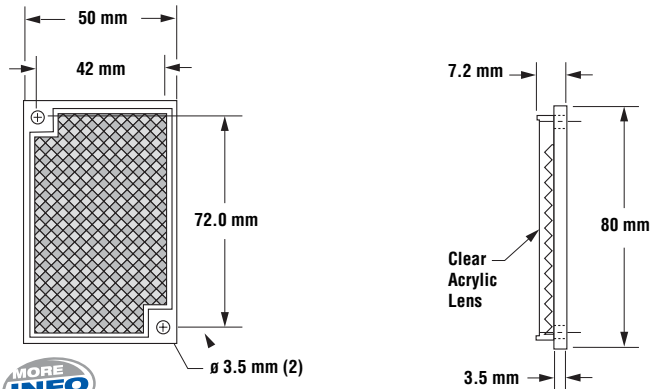
BRT-62X10AM

Description: Rectangular, thin profile acrylic target
 Reflectivity Factor: 1.2
 Max. Temperature: 65° C
 Other: This target has micro-prism geometry.



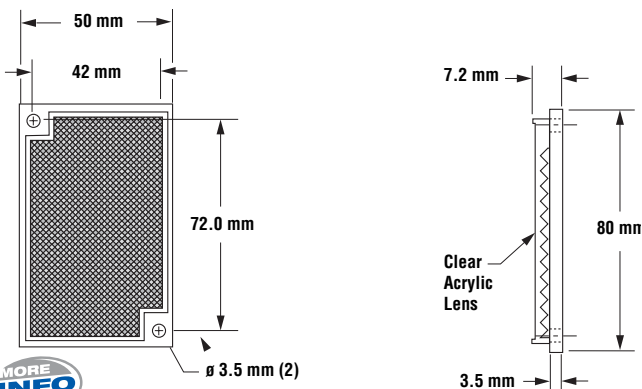
BRT-80X50C

Description: Rectangular, acrylic target
 Reflectivity Factor: 1.4
 Max. Temperature: 65° C



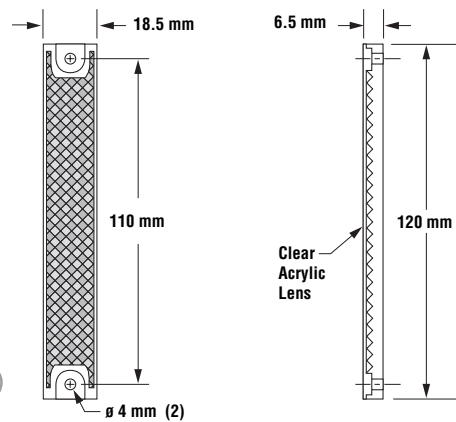
BRT-80X50CM

Description: Rectangular, acrylic target
 Reflectivity Factor: 1.4
 Max. Temperature: 65° C
 Other: This target has micro-prism geometry.



BRT-100X18A

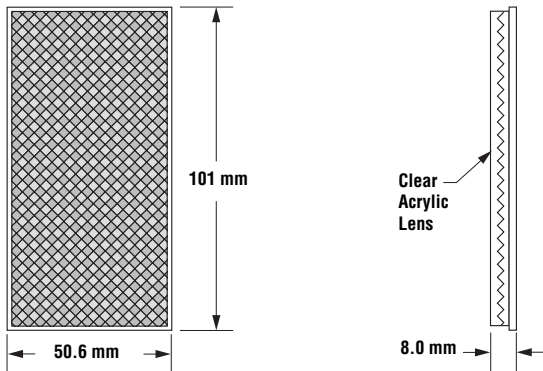
Description: Rectangular, acrylic target
 Reflectivity Factor: 1.4
 Max. Temperature: 50° C



ACCESSORIES

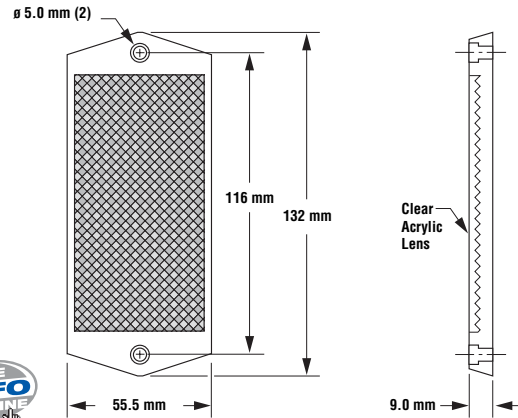
BRT-100X50

Description: Rectangular, acrylic target
 Reflectivity Factor: 1.5
 Max. Temperature: 50° C



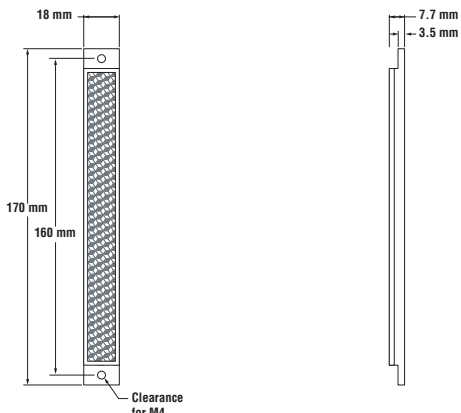
BRT-100X55A

Description: Rectangular, acrylic target
 Reflectivity Factor: 1.5
 Max. Temperature: 50° C



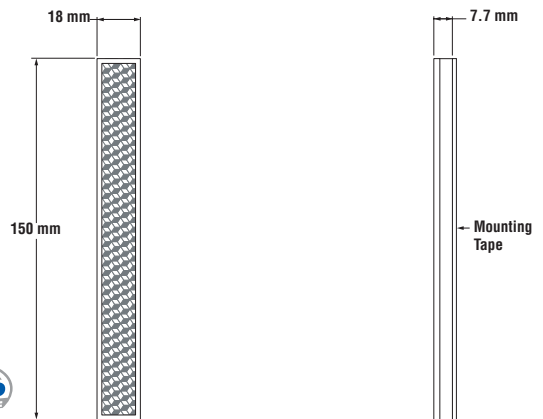
BRT-150X18A

Description: Rectangular, acrylic target
 Reflectivity Factor: 1.4
 Max. Temperature: 65° C



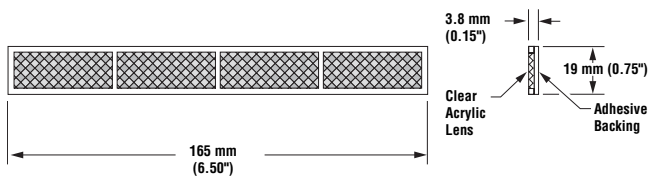
BRT-150X18T

Description: Rectangular, acrylic target includes mounting tape
 Reflectivity Factor: 1.4
 Max. Temperature: 65° C



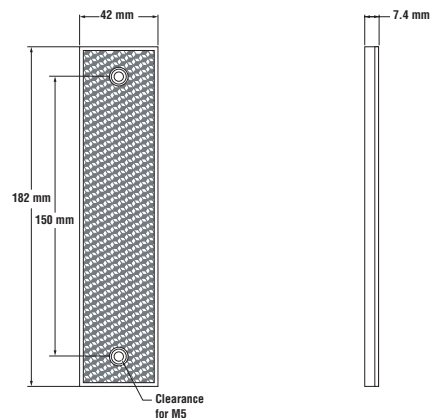
BRT-L

Description: Rectangular, acrylic target
 Reflectivity Factor: 0.8
 Max. Temperature: 65° C



BRT-180X40A

Description: Rectangular, acrylic target
 Reflectivity Factor: 1.4
 Max. Temperature: 50° C



Retroreflective Tape

NOTE: Sensing range and signal strength at any given sensor-to-target distance will vary due to target reflectivity and target area. A "Reflectivity Factor" is included for each target model to help predict sensor performance, relative to the excess gain curve plotted for target model BRT-3. Consider, also, target area when predicting performance. Changing to a high reflectivity reflector (like BRT-92x92C) may also extend sensor range and/or reduce the need for frequent reflector maintenance. A high reflectivity factor AND large surface area are needed for maximum range.

Model	Reflectivity Factor	Maximum Temperature	Size	Unit
BRT-THG-3X3-10	0.7	60° C	75 x 75 mm	10 per pack
BRT-THG-4X4-5	0.7	60° C	100 x 100 mm	5 per pack
BRT-THG-8.5X11-2	0.7	60° C	216 x 280 mm	2 per pack
BRT-THG-18X36	0.7	60° C	457 x 914 mm	Single sheet
BRT-THG-1-100	0.7	60° C	25 mm wide	2.5 m length
BRT-THG-2-100	0.7	60° C	50 mm wide	2.5 m length
BRT-THG-3-100	0.7	60° C	75 mm wide	2.5 m length
BRT-T-100 [†]	0.2	65° C	25 mm wide	2.5 m length
BRT-THT-100 [†]	0.07	175° C	25 mm wide	2.5 m length
BRT-TVHG2X2*	0.8	60° C	50 x 50 mm	4 per pack
BRT-TVHG-8X10P	0.8	60° C	203 x 254 mm	1 per pack



NOTE: Retroreflective material has a pressure-sensitive adhesive. For maximum adhesion, surfaces must be clean and dry before applying. For best results, use full size; target may be trimmed as necessary.

- [†] These targets are not recommended for polarized retroreflective sensors.
- * These are sealed micro-prism style pieces and may not be cut.
Suitable for use with Laser sensors, VS3 sensors and SME312LPC model sensors.
Not suggested for close range (less than 102 mm) except with VS3 sensors.

EZ-LIGHT™

Indicator Lights for Industrial Environments

- Displays the status of remote or inaccessible sensors
- Replaces cumbersome post or stack lights with a single compact, unobtrusive and inexpensive unit
- Installs without certified personnel, conveniently near the operator
- Available in straight, right-angle and dome-shaped housings
- Displays one, two, or three colors, depending on model
- Eliminates bulb replacement with long-lasting LEDs
- Compatible with PLC or other logic-level control outputs
- Features IP67-rated water- and oil-tight housing for direct machine mounting



**GOOD Part
or RUN Mode**



**BAD Part
or STOP Mode**

ACCESSORIES



3 Color General Purpose

- Red/yellow/green multifunction display
- 18 mm barrel, dome-shaped and 18 or 30 mm T-style housing
- Optional custom LED colors
- NPN or PNP input
- 4-pin Euro-style integral QD



3 Color 7 Function

- Multiple colors and flashing multifunction display
- 18 mm barrel, dome-shaped and 30 mm T-style housing
- NPN or PNP input
- 4-pin Euro-style integral QD

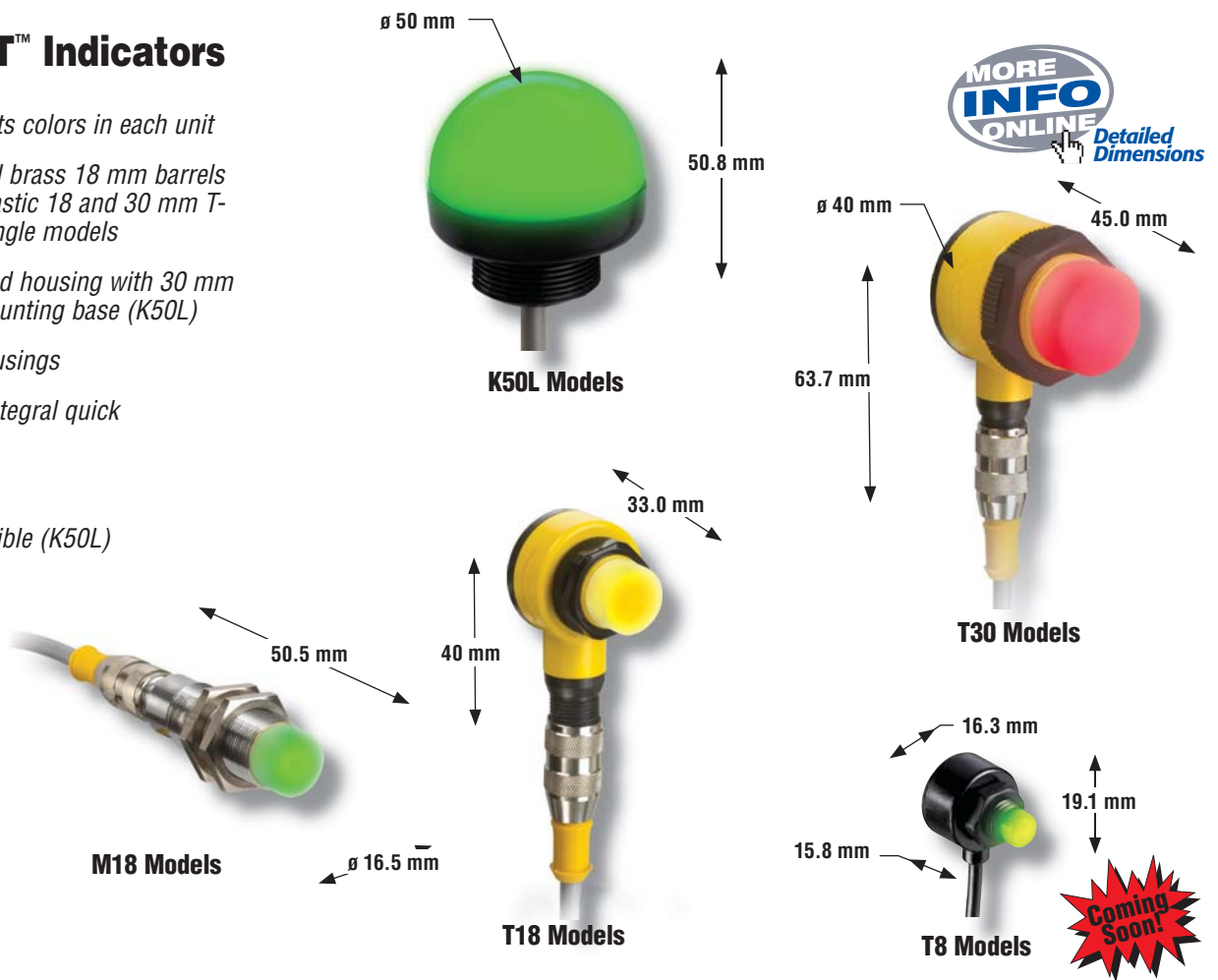


2 Color for Use with Sensors

- Yellow and green remote indicator
- 18 mm barrel, dome-shaped and 18 or 30 mm T-style housing
- NPN or PNP input
- 4-pin Euro-style integral QD





EZ-LIGHT™ Indicators

- Multiple lights colors in each unit
- Nickel-plated brass 18 mm barrels or thermoplastic 18 and 30 mm T-style right-angle models
- Dome-shaped housing with 30 mm threaded mounting base (K50L)
- IEC IP67 housings
- Euro-style integral quick disconnect
- DC operated
- AS-i compatible (K50L)



EZ-LIGHT™, 3-Color General Purpose



Model	Construction	Connection*	LED Function**	Inputs	Data Sheet
 M18GRYPQ M18GRYNQ	18 mm mount Nickel-plated brass	4-pin Euro QD	Lights independently selected: • Green • Red • Yellow	PNP	121899
				NPN	
 T18GRYPQ T18GRYNQ	18 mm mount Thermoplastic polyester			PNP	
				NPN	
 T30GRYPQ T30GRYNQ	30 mm mount Thermoplastic polyester			PNP	
				NPN	
 K50LGRYPQ K50LGRYNQ	30 mm mount Thermoplastic polyester			PNP	
				NPN	

* QD models are listed. For 2 m cable model, omit suffix **Q** from model number (example, **M18GRYP**). A model with a QD requires a mating cable (see page 380).
 ** Contact factory for other colors and color combinations.

EZ-LIGHT™, 3-Color, 7-Function



	Model	Construction	Connection*	LED Function**	Inputs	Data Sheet						
	M18GRY2PQ	18 mm mount Nickel-plated brass	4-pin Euro QD†	Choose Red, Yellow or Green ON, flashing or alternating	PNP	121902						
	M18GRY2NQ				NPN							
	T30GRY2PQ	30 mm mount Thermoplastic polyester			4-pin Euro QD†		Choose Red, Yellow or Green ON, flashing or alternating	PNP	121902			
	T30GRY2NQ							NPN				
	K50LGRY2PQ	30 mm mount Thermoplastic polyester						4-pin Euro QD†		Choose Red, Yellow or Green ON, flashing or alternating	PNP	121902
	K50LGRY2NQ										NPN	

EZ-LIGHT™, 2-Color for Use with Sensors



	Model	Construction	Connection*	LED Function**	Inputs	Data Sheet						
	M18GYX7PQ	18 mm mount Nickel-plated brass	4-pin Euro QD††	Use with binary photoelectric and proximity sensors to duplicate the sensor's indicator function. When the sensor is powered, the indicator is Green. When the sensor's output is energized, the indicator is Yellow.	PNP	121900						
	M18GYX7NQ				NPN							
	T18GYX7PQ	18 mm mount Thermoplastic polyester			4-pin Euro QD††		Use with binary photoelectric and proximity sensors to duplicate the sensor's indicator function. When the sensor is powered, the indicator is Green. When the sensor's output is energized, the indicator is Yellow.	PNP	121900			
	T18GYX7NQ							NPN				
	T30GYX7PQ	30 mm mount Thermoplastic polyester						4-pin Euro QD††		Use with binary photoelectric and proximity sensors to duplicate the sensor's indicator function. When the sensor is powered, the indicator is Green. When the sensor's output is energized, the indicator is Yellow.	PNP	121900
	T30GYX7NQ										NPN	
	K50LGYX7PQ	30 mm mount Thermoplastic polyester	4-pin Euro QD††	Use with binary photoelectric and proximity sensors to duplicate the sensor's indicator function. When the sensor is powered, the indicator is Green. When the sensor's output is energized, the indicator is Yellow.		PNP					121900	
	K50LGYX7NQ					NPN						

* QD models are listed. For 2 m cable model, omit suffix Q from model number (example, M18GRY2P). A model with a QD requires a mating cable (see page 380).

** Contact factory for other colors and color combinations.

† If cables other than Banner 4-pin Euro QD are used, a 5-pin cable may be required.

†† For use with 4-pin Euro-style QD cables or with Splitter cable (CSB-M12...).

EZ-LIGHT™ Indicator Light Specifications

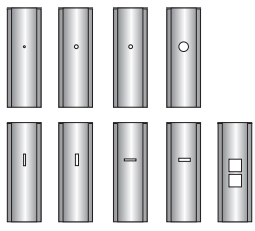
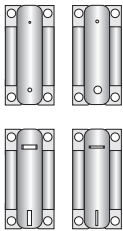
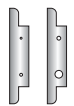
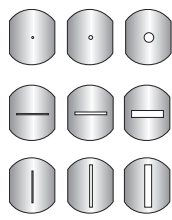
Supply Voltage and Current	K50L models: 18 to 30V dc at 75 mA max. M18 and T18 models: 10 to 30V dc at 50 mA max. T30 models: 10 to 30V dc at 75 mA max.
Indicators	3-color General Purpose and 3-Color, 7-Function models: 3 independently selected LEDs: Green, Red, Yellow 2-color for Use with Sensors: Green and Yellow, when connected to binary 3-wire or 4-wire sensors. For other colors/combinations, contact Factory for availability.
Input Response Time	3-Color, 7-Function models only: Indicator ON: 250 milliseconds max. Indicator OFF: 10 milliseconds max.
Indicator Flash Rate	3-Color, 7-Function models only: Single color: 1 second flash rate (500 milliseconds ON) Three color: 1.5 second rotation rate (500 milliseconds per color)
Environmental Rating	Fully encapsulated, IEC IP67
Connections	4-pin Euro-style QD or 4-wire, 2 m integral cable.
Operating Temperature	-20° to +50° C
Wiring Diagrams	SP11 (p. 491)

Apertures and Aperture Kits

Opposed-mode sensors may be fitted with apertures which narrow or shape the effective beam of the sensor to more closely match the size of profile of the object to be sensed. A common example is the use of "line" or "slit" type aperture when wire or thread is being sensed.

Model	Aperture Description	Units	Product	Used With
APQS18-020	Circular, 0.5 mm dia.	6		<ul style="list-style-type: none"> • QS18 Opposed-mode
APQS18-040	Circular, 1.0 mm dia.	6		
APQS18-100	Circular, 2.5 mm dia.	6		
APQS18-020H	Horizontal, slotted, 0.5 x 6.4 mm	6		
APQS18-040H	Horizontal, slotted, 1.0 x 6.4 mm	6		
APQS18-100H	Horizontal, slotted, 2.5 x 6.4 mm	6		
APQS18-020V	Vertical, slotted, 0.5 x 12.7 mm	6		
APQS18-040V	Vertical, slotted, 1.0 x 12.7 mm	6		
APQS18-100V	Vertical, slotted, 2.5 x 12.7 mm	6		
APQS18-DVHX2	Kit with 2 of each aperture	18		
AP19-00	Blank	2		<ul style="list-style-type: none"> • Q23 Opposed-mode
AP23-04S [†]	Slot, 1.0 mm	2		
AP23-06S [†]	Slot, 1.5 mm	2		
AP23-10S [†]	Slot, 2.5 mm	2		
AP23-12S [†]	Slot, 3.0 mm	2		
AP23-0203 ^{††}	Round, 0.5 & 0.8 mm dia.	2		
AP23-0404 ^{††}	Round, 1.0 & 1.0 mm dia.	2		
AP23-0406 ^{††}	Round, 1.0 & 1.5 mm dia.	2		
AP23-1012 ^{††}	Round, 2.5 & 3.0 mm dia.	2		
[†] Slotted apertures have a vertical and horizontal slot of equal width. ^{††} Round apertures have two circular holes of different diameters.				
AP31-020	Circular, 0.5 mm dia.	20		<ul style="list-style-type: none"> • MINI-BEAM Opposed-mode
AP31-040	Circular, 1.0 mm dia.	20		
AP31-100	Circular, 2.5 mm dia.	20		
AP31-020H	Horizontal, slotted, 0.5 x 6.4 mm	20		
AP31-040H	Horizontal, slotted, 1.0 x 6.4 mm	20		
AP31-100H	Horizontal, slotted, 2.5 x 6.4 mm	20		
AP31-200H	Horizontal, slotted, 5.1 x 6.4 mm	20		
AP31-020V	Vertical, slotted, 0.5 x 12.7 mm	20		
AP31-040V	Vertical, slotted, 1.0 x 12.7 mm	20		
AP31-100V	Vertical, slotted, 2.5 x 12.7 mm	20		
AP31-200V	Vertical, slotted, 5.1 x 12.7 mm	20		
AP31-DVHX2	Kit with 2 of each aperture above	22		
AP18SC*	Kit includes 3 round apertures of: 0.5, 1.0 & 2.5 mm dia.	3		• S18 & M18
AP18SR*	Kit includes 3 rectangular apertures of: 0.5, 1.0 & 2.5 mm dia.	3		• S18 & M18
AP18SCN*	Kit includes 3 round apertures of: 0.5, 1.0 & 2.5 mm dia.	3		• T18
AP18SRN*	Kit includes 3 rectangular apertures of: 0.5, 1.0 & 2.5 mm dia.	3		• T18
APG18S	Kit with glass lens to protect plastic sensor lens from chemical environments	1		• S18, M18 & T18
* Kits include Teflon FEP [®] lens, o-ring and thread-on housing.				
APG30S	Kit includes: a thread-on stainless steel housing, a flat glass lens, two quad-ring seals, and 3 round and 3 slotted aperture disks	1		• SM30


Apertures and Aperture Kits (cont'd)

Model	Aperture Description	Units	Product	Used With
APQ12-5	Circular, 0.5 mm dia.	10		• Q12 Opposed-mode
APQ12-1	Circular, 1.0 mm dia.	10		
APQ12-1.5	Circular, 1.5 mm dia.	10		
APQ12-2	Circular, 2.0 mm dia.	10		
APQ12-.5H	Horizontal, slotted, 0.5 mm dia.	10		
APQ12-1H	Horizontal, slotted, 1.0 mm dia.	10		
APQ12-.5V	Vertical, slotted, 0.5 mm dia.	10		
APQ12-1V	Vertical, slotted, 1.0 mm dia.	10		
APQ12-4S	Protective jacket, 4 mm square	10		
APKQ12	Kit containing 2 of each aperture above	18		
APVS2-0204	Circular, 2 openings, 0.5 & 1.0 mm dia.	2		• VS2 Opposed-mode
APVS2-0608	Circular, 2 openings, 1.5 and 2.0 mm dia.	2		
APVS2-02R	Horizontal (1) and vertical (1), slotted, 0.5 mm wide	2		
APVS2-04R	Horizontal (1) and vertical (1), slotted, 1.0 mm wide	2		
APVS4-0206	Circular, 2 openings, 0.5 & 1.5 mm dia.	2		• VS4 Opposed-mode
APVS4-0408	Circular, 2 openings, 1.0 & 2.0 mm dia.	2		
APQS30-040	Circular, 1.0 mm dia.	6		• QS30 Opposed-mode
APQS30-100	Circular, 2.5 mm dia.	6		
APQS30-200	Circular, 5 mm dia.	6		
APQS30-040H	Horizontal, slotted, 1 x 12 mm	6		
APQS30-100H	Horizontal, slotted, 2.5 x 12 mm	6		
APQS30-200H	Horizontal, slotted, 5 x 12 mm	6		
APQS30-040V	Vertical, slotted, 1 x 17 mm	6		
APQS30-100V	Vertical, slotted, 2.5 x 17 mm	6		
APQS30-200V	Vertical, slotted, 5 x 17 mm	6		
APQS30-DVHX2	Kit with 3 of each aperture above	18		

Replacement Lens Assemblies

Lens assemblies are field-replaceable. In addition, some lenses may be used to convert from one sensing mode to another, or to change the sensing range of a particular sensor. The possible conversions are listed in the table below.

Model	Replacement Lens for	Possible Sensing Mode or Range Changes	Used With
UC-300AG UC-300BZ UC-300C.7 UC-300C2 UC-300E UC-300EL UC-300EPD UC-300F UC-300FP UC-300FP2 UC-300L UC-300LP UC-300RPD	LVAG W and DBZ C, CV and CVG C2 and CV2 E and R EL and RL EPD F and FV FP (old style) FP LV and D LP RPD	Change LV to LVAG Change D to DBZ and F to DBZ Change CV2 to CV Change CV to CV2 — Extend range of E/R — Change D to F and DBZ to F — — Change F to D, LVAG to LV and DBZ to D — —	• MINI-BEAM
UC-45L UC-45LL UC-45LLP UC-45LP UC-45D UC-45F UC-45FP UC-45C UC-45C4	E, R, DL, DX and LV LL LLP LP D F and FV FP CV CV4	N/A	• Q45
OUC-C OUC-D OUC-F OUC-FP OUC-L OUC-LAG	CV, CVB and CVG D F, FAC, FV, FVB, FVG, FX, EF and RF FP, FPB and FPG DX, LV, E and R LVAG and LVAGC	N/A	• OMNI-BEAM

Laser Alignment Tools					
Model	Description	Supply Voltage	Used With	Data Sheet	
LAT-1	 <ul style="list-style-type: none"> Simplifies the alignment of any opposed-mode sensor pair Class 2 visible red laser beam Aluminum housing with black anodized finish Rated NEMA 1; IEC IP50 	9V battery for 20 hours of continuous use	• Opposed-mode sensors	54599	
LAT-2	 <p>LAT-2 shown with LT7</p> <ul style="list-style-type: none"> Allows for long distance alignment greater than 50 m Clip-on attachment for sensor 	—	• LT7	120244	
LAT1812	 <ul style="list-style-type: none"> Enables easy sensor alignment at long distances Kit includes one SMB1812 bracket and M12 laser emitter (Class 2 visible red laser) Clip-on attachment for 18 mm threaded barrel sensors 	10 to 30V dc	• 18 mm threaded barrel sensors	—	
LAT3012	 <ul style="list-style-type: none"> Enables easy sensor alignment at long distances Kit includes one SMB3012 bracket and M12 laser emitter (Class 2 visible red laser) Clip-on attachment for 30 mm threaded barrel sensors 	10 to 30V dc	• 30 mm threaded barrel sensors	—	


BEAM-TRACKER™ Alignment Tool

The BEAM-TRACKER is a low-cost, wireless, battery-operated, and completely self-contained photoelectric diagnostic sensor. It is a quick and simple way to evaluate photoelectric system performance. It receives light from all modulated photoelectric emitters and transmits light to receivers to check the system operation. It has a built-in frequency emitter that will be detected by any Banner photoelectric receiver, as well as by those of most other photoelectric manufacturers. It is a valuable tool for locating the center of the beam when installing long-range opposed-mode photoelectric sensor pairs and for locating sources of severe EMI and RFI noise.

Model	Supply Voltage	Beam	Construction	Data Sheet	
BT-1	9V battery for 10 hours of continuous use	70 kHz infrared	Cyclac® T case	03490	

Portable Demo Box


The Portable Demo Box is used to power dc self-contained photoelectric sensors for testing purposes. It is battery-powered and features bicolor LEDs which indicate not only sensor output status, but also output type (NPN or PNP). It is designed around the 4-pin Euro-style connector, but cable adapters are available to convert to Pico-style or Mini-style connectors. A 4-pin wiring barrier is mounted on the top of the box to allow connection of cabled dc sensors.

Model	Supply Voltage	Cable Type	Cable Adapters	Data Sheet
DBQ5 	3 - 9V battery	4-pin Euro	Euro-to-Pico p/n 39536 Euro-to-Mini p/n 39537	—

Portable Programming Box

The handheld Portable Programming Box communicates with the M-GAGE and T-GAGE, enabling you to remotely configure a sensor that is underground or otherwise inaccessible.






Model	Supply Voltage	Optional 115V ac Adapter	Used With	Data Sheet
DPB1 	2 - 9v battery	p/n 111367	<ul style="list-style-type: none"> • M-GAGE • T-GAGE 	—

Power Supplies and Interface Modules

The power supplies provide a low-cost interface between ac power supply and dc-operated sensors. They can source up to 100 milliamps. All models are available with integral TEACH push button and remote TEACH function. The interface module is a passive module that allows additional status indicators to be located in the user's control cabinet. It provides remote indication and TEACH capability.



Model	Description	Sensor Input	Input Supply	Sensor Supply	Data Sheet
PS24-1N 	Power Supply e/m relay output, status lights, and TEACH button	NPN	24V ac	15V dc	123566
PS24-1P		PNP			
PS115-1N 		NPN	115V ac		
PS115-1P		PNP			
SIM-525T 	Passive Interface Module Status lights and TEACH button	—	10-30V dc	—	123240

X-ON Electronics

Largest Supplier of Electrical and Electronic Components

Click to view similar products for [Banner manufacturer](#):

Other Similar products are found below :

[Q45VR2FPQ](#) [BTA23S](#) [L16F](#) [2LM3](#) [2PBA](#) [LM8-1](#) [LMT](#) [SM312CV](#) [SM31RQD](#) [LS4ELQ](#) [FX1](#) [Q45BB6LLQ](#) [D12SP6FP](#) [MBCC-412](#)
[BA23S](#) [BT21S](#) [BTA13S](#) [LM4-2](#) [T183E](#) [TL50GYR](#) [SM312DQDP-68020](#) [SLSP30-600Q88](#) [SLSP30-1200Q88](#) [OTC-1-YW](#) [OPBA5](#) [PBAT](#)
[SBLV1](#) [SMA91EQD](#) [SMA91E](#) [SMA912LVQD](#) [SMA912DQD](#) [SM2A312CVQD](#) [SM2A912LVQD](#) [SM312F](#) [SM31RL](#) [Q60BB6AFV1000Q](#)
[TL70GYRAQ](#) [TL70RQ](#) [SM312FMHSQD](#) [SM312W](#) [MMD-TA-11B](#) [LED70X70-78587](#) [T18-2VNDL-Q8](#) [T18-2VPFF200-Q8](#) [T18-](#)
[2VPLP-Q8](#) [SLC4P14-160P44](#) [SLC4P24-160P44](#) [SLLP14-1190P88](#) [SM312CUQD](#) [BR-2](#)