

## Three Phase Rectifier Bridge

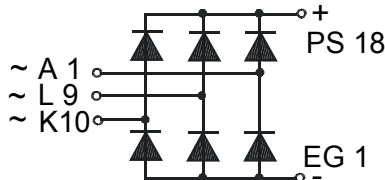
## PSD 108

$$I_{dAV} = 117 \text{ A}$$

$$V_{RRM} = 800-1600 \text{ V}$$

Preliminary Data Sheet

$V_{RSM}$ $V_{DSM}$ (V)	$V_{RRM}$ $V_{DRM}$ (V)	Type
800	800	PSD 108/08
1200	1200	PSD 108/12
1400	1400	PSD 108/14
1600	1600	PSD 108/16



Symbol	Test Conditions	Maximum Ratings
$I_{dAVM}$	$T_C = 100^\circ\text{C}$ , (per module)	117 A
$I_{FSM}$	$T_{VJ} = 45^\circ\text{C}$ t = 10 ms (50 Hz), sine	900 A
	$V_R = 0$ t = 8.3 ms (60 Hz), sine	990 A
	$T_{VJ} = T_{VJM}$ t = 10 ms (50 Hz), sine	770 A
	$V_R = 0$ t = 8.3 ms (60 Hz), sine	850 A
$\int i^2 dt$	$T_{VJ} = 45^\circ\text{C}$ t = 10 ms (50 Hz), sine	4050 A <sup>2</sup> s
	$V_R = 0$ t = 8.3 ms (60 Hz), sine	4050 A <sup>2</sup> s
	$T_{VJ} = T_{VJM}$ t = 10 ms (50 Hz), sine	2950 A <sup>2</sup> s
	$V_R = 0$ t = 8.3 ms (60 Hz), sine	2950 A <sup>2</sup> s
$T_{VJ}$		-40... + 150 °C
$T_{VJM}$		150 °C
$T_{stg}$		-40... + 125 °C
$V_{ISOL}$	50/60 Hz, RMS t = 1 min	2500 V~
	$I_{ISOL} \leq 1 \text{ mA}$ t = 1 s	3000 V~
$M_4$	Mounting torque (M4)	1.5 - 2.0 Nm
<b>Weight</b>	typ.	22 g

### Features

- Package with DCB ceramic base plate
- Isolation voltage 3000 V~
- Planar glass passivated chips
- Low forward voltage drop
- Leads suitable for PC board soldering
- UL registered, E 148688

### Applications

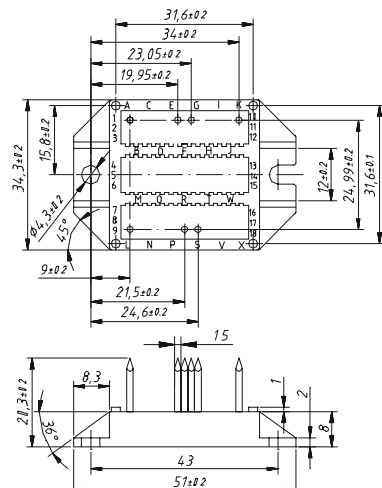
- Supplies for DC power equipment
- Input rectifier for PWM inverter
- Battery DC power supplies
- Field supply for DC motors

### Advantages

- Easy to mount with two screws
- Space and weight savings
- Improved temperature and power cycling capability
- High power density
- Small and light weight

### Package style and outline

Dimensions in mm (1mm = 0.0394")



Symbol	Test Conditions	Characteristic Value
$I_R$	$V_R = V_{RRM}$ , $T_{VJ} = 25^\circ\text{C}$	$\leq 0.5$ mA
	$V_R = V_{RRM}$ , $T_{VJ} = T_{VJM}$	$\leq 5$ mA
$V_F$	$I_F = 200 \text{ A}$ , $T_{VJ} = 25^\circ\text{C}$	$\leq 1.75$ V
$V_{TO}$	For power-loss calculations only	0.8 V
$r_T$		4.0 mΩ
$R_{thJC}$	per diode; DC current	0.85 K/W
	per module	0.142 K/W
$R_{thJK}$	per diode; DC current	1.15 K/W
	per module	0.192 K/W
$d_s$	Creeping distance on surface	11.2 mm
$d_A$	Creeping distance in air	9.7 mm
$a$	Max. allowable acceleration	50 m/s <sup>2</sup>

Data according to IEC 60747 refer to a single diode unless otherwise stated

## X-ON Electronics

Largest Supplier of Electrical and Electronic Components

*Click to view similar products for [Bridge Rectifiers](#) category:*

*Click to view products by [Powersem](#) manufacturer:*

Other Similar products are found below :

[G3SBA60-E351](#) [GBJ1504-BP](#) [GBU10B-BP](#) [GBU15J-BP](#) [GBU15K-BP](#) [GBU4A-BP](#) [GBU4D-BP](#) [GBU6B-E3/45](#) [GSIB680-E3/45](#) [DB101-BP](#) [DF10SA-E345](#) [RMB2S](#) [RCG](#) [APT30DF100HJ](#) [APT60DF20HJ](#) [B2S-E3/80](#) [BU1506-E351](#) [BU15085S-E345](#) [BU1508-E3/45](#) [BU1510-E3/45](#) [RS404GL-BP](#) [RS405GL-BP](#) [G3SBA20-E3/51](#) [G5SBA20-E3/51](#) [G5SBA60-E3/51](#) [GBJ1502-BP](#) [GBL02-E351](#) [GBL10-E3/45](#) [GBU10J-BP](#) [GBU4J-BP](#) [GBU4K-BP](#) [GBU8B-E3/45](#) [GBU8D-BP](#) [GBU8J-BP](#) [GSIB1520-E3/45](#) [MB1510](#) [MB352W](#) [MB6M-G](#) [B2M-E345](#) [B40C7000A](#) [B500C7000A](#) [MP5010W-BP](#) [MP501W-BP](#) [MP502-BP](#) [BR1005-BP](#) [BR101-BP](#) [BU1006-E345](#) [BU12065S-E3/45](#) [BU1508-E3/51](#) [BU2006-E3/45](#) [BU2008-E345](#)