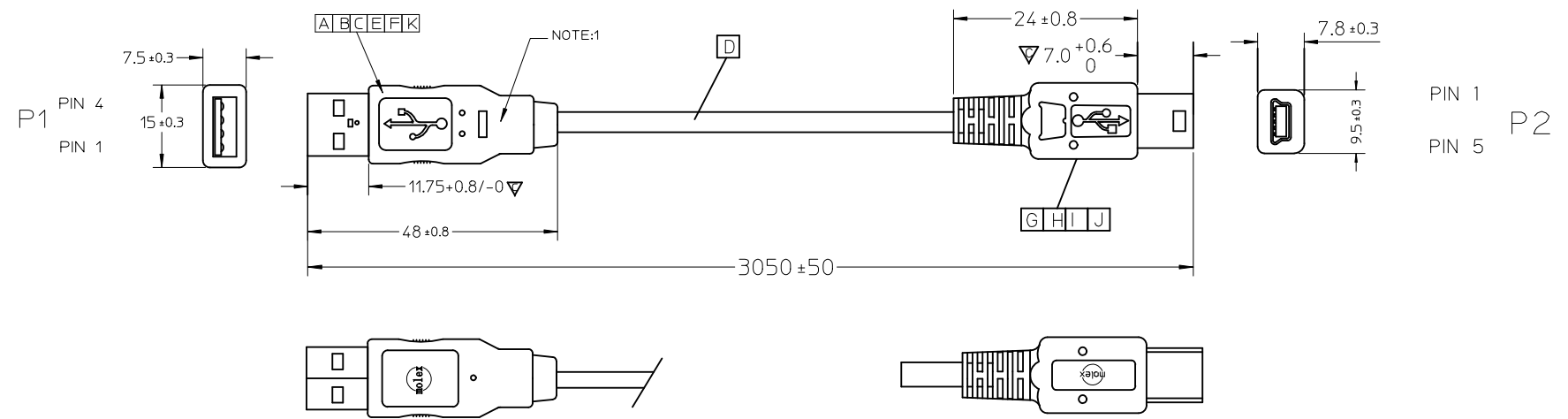


REVISIONS				CHANGER
ECN NO	DATE	REV	DESCRIPTION	SANLY
CY12-7061	2011/07/20	C	UPDATE NOTE 3	



NOTE:

1. OUTER MOLDED WITH BLK PVC RESIN
2. ALL COMPONENT MUST MEET RoHS REQUIREMENT.
3. ELECTRICAL PERFORMANCE REFER TO USB 2.0 SPECIFICATION.

ITEM	DESCRIPTION	L	QTY.
L	COPPER FOIL		1
K	COPPER FOIL		1
J	USB SERIES MINI-B PLUG COVER SHIELD		1
H	USB SERIES MINI-B PLUG SHIELD CASE		1
G	MINI-B PLUG		1
F	TERMINAL (AWG24)		2
E	TERMINAL (AWG28)		2
D	USB #28/#24 BLK CABLE	3050ref	
C	REAR SHELL		1
B	FRONT SHELL		1
A	CRIMP HOUSING		1

SHELL	SHELL	SHIELDING	BRAID WIRE
4	5	GROUND	BLACK
3	3	+DATA	GREEN
2	2	-DATA	WHITE
1	1	VCC	RED
P 1	P 2	SIGNAL NAME	WIRE COLOR

CONNECTION DIAGRAM		ITEM	DESCRIPTION	L	QTY.

<b>ENTER DESCRIPTION</b> EC NO: DG2012-0243 DRW: FZHANG01 2011/09/03 CHKD: SHUANG04 2011/09/03 APPR: ZXDENG 2011/09/09	QUALITY SYMBOLS ▽=0 ◻=0	GENERAL TOLERANCES (UNLESS SPECIFIED) mm INCH 4 PLACES ± --- ± --- 3 PLACES ± --- ± --- 2 PLACES ± --- ± --- 1 PLACE ± --- ± --- ANGULAR ± ---°	DIMENSION STYLE <b>MM ONLY</b> DRAWN BY PHZHU DATE 2005/10/13 CHECKED BY ZXDENG DATE 2005/10/13 APPROVED BY DQLUO DATE 2005/10/13 MATERIAL NO. 688060029	SCALE -- DESIGN UNITS METRIC THIRD ANGLE PROJECTION	TITLE <b>USB 2.0 TYPE A TO MINI-B BLACK 10' CABLE ASS'Y</b> MOLEX INCORPORATED DOCUMENT NO. SD-68806-029 SHEET NO. 1 OF 1
	DRAFT WHERE APPLICABLE MUST REMAIN WITHIN DIMENSIONS			SIZE A3 THIS DRAWING CONTAINS INFORMATION THAT IS PROPRIETARY TO MOLEX INCORPORATED AND SHOULD NOT BE USED WITHOUT WRITTEN PERMISSION	

## X-ON Electronics

Largest Supplier of Electrical and Electronic Components

*Click to view similar products for [USB Cables / IEEE 1394 Cables](#) category:*

*Click to view products by [Molex](#) manufacturer:*

Other Similar products are found below :

[68768-0173](#) [FNY-W6003-01](#) [88764-0800](#) [13805532](#) [148700-1](#) [17-200621](#) [17-250051P](#) [954](#) [AC102012-2](#) [IP-USB1\(C10\)S-RW](#)  
[CABLE/RTP/USB/DT](#) [0847290003](#) [10115240-12200LF](#) [RS232-GTD](#) [USBFTVX2SA2N03A](#) [USBFTV2SA2N03A](#) [1689404-1](#) [FTP-](#)  
[629Y401](#) [FTP-628Y402](#) [943301-001](#) [FNY-W6022](#) [FNY-W6003-03](#) [1310-1015-05](#) [1310-1018-04](#) [1310-1019-04](#) [0887283402](#) [UA-](#)  
[30AMFM-SL7B02](#) [UA-30AMFM-SL7B01](#) [UA-30AFM-LD7B03](#) [UA-30AMFM-SL7B03](#) [USBAPSCC7202A](#) [UES-1001A160](#) [UES-](#)  
[1003A160](#) [USBFTVX7SA2N20A](#) [USBFTVX2SA2N20A](#) [USBFTV2PEMSA2N10A](#) [FTP-629Y602](#) [USBCAMCM100](#) [USB A/F\\*2 to 2.54](#)  
[2\\*5P-SH L=400mm](#) [EP-CBUSB10P2FLT](#) [1310-1033-01](#) [1310-1037-04](#) [ASR-USB](#) [68784-0075](#) [17-241361](#) [17-230471](#) [217B-BC02](#) [USB-29](#)  
[19800-010500-200-RS](#) [USB+MINI DIN 6P WITH BKT](#)