



TSF70 Series

Compact External Mount with Temperature Sensing



- Compact design with temperature sensing
- Available in Nylon, Polypropylene or PPS
- 25VA & 100VA versions
- Many variants are UL recognised components File No. E171218
- WRAS Approved versions

The TSF70 series is a compact external fitting device, with a high specification thermistor so capable of sensing both liquid level and temperature.

Mounting of this series is with the use of a compression seal, so does not require access to the inside of the tank.

Typical applications include vending machines, commercial washing machines and evaporator units.

They are manufactured in a variety of materials with a choice of gasket materials, to suit most commonly used liquids.

The switch action may be reversed by rotating the device through 180°.

Technical Specification	TSF73	TSF74	TSF78	TSF76
Material	Nylon	Polypropylene WRAS approved	Polypropylene UL approved	Polyphenylene Sulphide (PPS)
Colour	Black	Opaque	White	Grey
Temp. Range °C	-20 / +75	-20 / +100	-20 / +100	-10 / +120 *
°F	-4 / +167	-4 / +212	-4 / +212	+14 / +248 *
Min. Fluid SG	0.85	0.85	0.85	0.85
Must close level (SG=1)	7mm	8mm	8mm	9mm
Must open level (SG=1)	20mm	20mm	20mm	24mm

* Maximum temperature requires ETFE cable to be specified.

Electrical Specification		25W (Y code)	100W (H code)
Contact Form		N/O (N/C)	N/O (N/C)
Switching Power Max	VA	25	100
Switching Voltage AC Max	V	240	300
Switching Voltage DC Max	V	120	300
Switching Current Max	A	0.6	1

All ratings are for resistive load only.

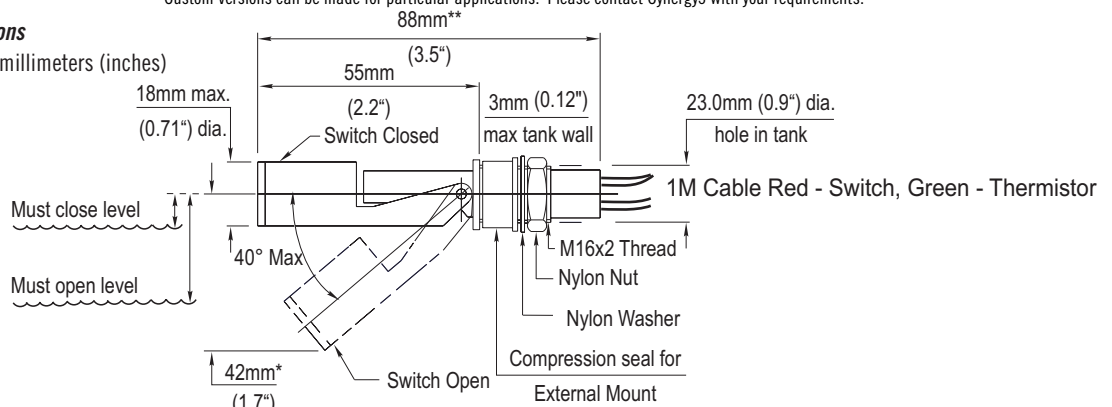
Thermistor Specification	
Nominal Temperature Resistance	10k Ohm at 25°C
Resistance Tolerance	+/- 1% (25°C) to +/- 4.3% (120°C)
Operating Temperature Range	-20°C to +120°C
Temperature Sensing Accuracy	+/-0.2°C (0°C to +70°C)
Beta Value	3892K (0/50°C)
Response Time	<1 sec
Dissipation Constant	0.75mW/K

Standard Parts	Material	Temperature	Max Power	Leadouts	Gasket	Approvals
TSF73H100DN	Nylon	-20°C to +75°C	100VA	100cm PVC 16/0.2	Nitrile	WRAS
TSF73Y100DN	Nylon	-20°C to +75°C	25VA	100cm PVC 16/0.2	Nitrile	WRAS
TSF74H100DN	PP	-20°C to +100°C	100VA	100cm PVC 16/0.2	Nitrile	WRAS
TSF74Y100DN	PP	-20°C to +100°C	25VA	100cm PVC 16/0.2	Nitrile	WRAS
TSF76H050TV	PPS	-10°C to +120°C	100VA	50cm ETFE 19/0.2	Viton	WRAS & UL
TSF76H100DN	PPS	-10°C to +100°C	100VA	100cm PVC 16/0.2	Nitrile	WRAS & UL
TSF76Y050TV	PPS	-10°C to +120°C	25VA	50cm ETFE 19/0.2	Viton	WRAS & UL
TSF76Y100DN	PPS	-10°C to +105°C	25VA	100cm PVC 16/0.2	Nitrile	WRAS & UL
TSF78H100DN	PP (UL)	-20°C to +100°C	100VA	100cm PVC 16/0.2	Nitrile	UL
TSF78Y100DN	PP (UL)	-20°C to +100°C	100VA	100cm PVC 16/0.2	Nitrile	UL

Custom versions can be made for particular applications. Please contact Cynergy3 with your requirements.

Mechanical Dimensions

All dimensions are in millimeters (inches)



Cynergy3 Components Ltd.
7 Cobham Road
Ferndown Industrial Estate
Wimborne, Dorset BH21 7PE
Telephone +44 (0) 1202 897969

Email: sales@cynergy3.com

* 49mm TSF76

** Add 10mm t dims TSF76

ISO9001 CERTIFIED

www.cynergy3.com

X-ON Electronics

Largest Supplier of Electrical and Electronic Components

Click to view similar products for [Liquid Level Sensors](#) category:

Click to view products by [Cynergy3](#) manufacturer:

Other Similar products are found below :

[F03-16PT-1M](#) [FSH-21](#) [FSH-25](#) [FSH-34](#) [FSH-35](#) [FSV-31](#) [FSV-35](#) [LRNH31S41](#) [FSH-31](#) [RSF14Y100RF](#) [F03-16PT-10M](#) [LL01-1AB01](#)
[F03-16PS-F](#) [F03-16SF-5M](#) [F03-16PE-5M](#) [F03-16PT-5M](#) [K7L-U](#) [LBFS 1151](#) [LL8951T5](#) [SCN-1518SC](#) [LL103000](#) [LRNR31N01](#) [K7L-](#)
[AT50DB](#) [F03-16PT-2M](#) [14102](#) [RSF107H100GV](#) [MS03-PP](#) [KSL-100-1](#) [LS01-1A66-PP-2000W](#) [LS01-1B66-PP-500W](#) [LS02-1A66-S-500W](#)
[LS02-1B66-S-500W](#) [LS02-1B85-PP-5000W](#) [LS03-1A85-PP-500W](#) [LS03/DL-1A85-PA-500W](#) [RSF26H050TG](#) [EL-3N](#) [LL01-1AA01](#)
[LRNH31S42](#) [MS10C](#) [SSH66XE34N100](#) [SSH66TE34N100S](#) [TSF76H100DN](#) [TSF76H050TV](#) [OLS500D3L](#) [RSF88Y100R](#) [RSF76Y100RN](#)
[RSF54Y100RC](#) [RSF53Y100RC](#) [OLS200D3LSH](#)