

DIN rail holder TSH 35

Order designation

Model	Order no.
TSH 35	22035000

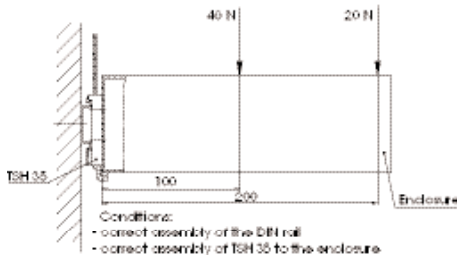
TSH 35

You can use this universal DIN rail holder with its variable-length insertable bolt to clip or unclip enclosures with an extremely wide range of dimensions onto or from the DIN rail.

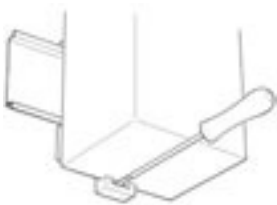
Scope of delivery:

Base, bolt, screws

Carrying capacity (dead weight)



Unlocking



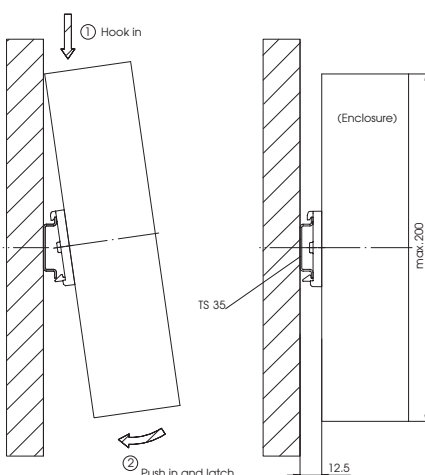
DIN rail holder TSH 35-2

Order designation

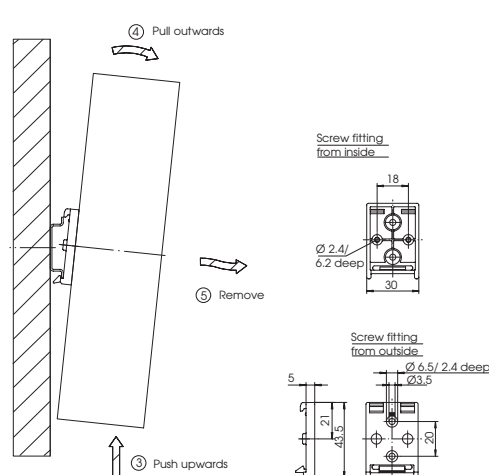
Model	Order no.	Description
TSH 35-2	20035000	1 set = 2 pieces

Scope of delivery: 2 DIN rail holders, 4 screws

Assembly



Disassembly

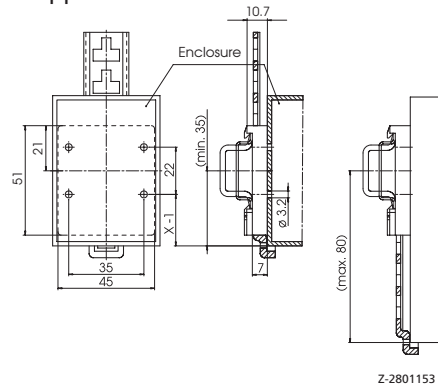


Processing dimension X-1 (see illus. on right)

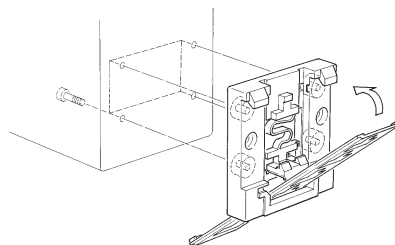
24	The adjacent processing
39	dimensions must be taken
54	into consideration by snapping
69	the bolt into different parts of the base to match the enclosure height.

Important:

Minimum wall thickness for screws as supplied: 2.5 mm



Fitting TSH 35 to the enclosure



TSH 35

This DIN rail holder consists of a base and a bolt. The bolt can be snapped into the base in different positions. This makes it ideal for use with enclosure heights between 70 mm and 160 mm. It is fitted approximately in the middle of the enclosure, and the bolt projecting from the enclosure base can be disconnected from the rail by means of a screwdriver in the normal way.

For assembly, insert the screws (enclosed) from the inside of the enclosure. This guarantees full insulation protection. On small enclosures, the part of the bolt which projects upwards can be pinched off. In the case of very wide enclosures, it may be necessary to fit two DIN rail holders.



TSH 35-2

You can use this universal DIN rail holder to clip or unclip enclosures with an extremely wide range of dimensions onto or from the DIN rail.

This DIN rail holder can be screwed universally to every enclosure. It is necessary to process the enclosure (2 x Ø 3.2 mm – clearance 18 mm). The required self-tapping screws are included in the scope of delivery.

X-ON Electronics

Largest Supplier of Electrical and Electronic Components

Click to view similar products for [bopla](#) manufacturer:

Other Similar products are found below :

[62240000](#) [63233000](#) [82600124](#) [82703124](#) [94242200.MT1](#) [96033125](#) [96036335](#) [ATPH1850-100 MT6](#) [ATPH1850-250 MT1](#) [ATPH1865-250 MT6](#) [94122150.MT2](#) [34501000](#) [34700000](#) [34751000](#) [34910002](#) [ATPH1850-200 MT6](#) [ATPH1865-200 MT6](#) [46400000](#) [46300000](#) [46600000](#) [1124000](#) [1123000](#) [62221000](#) [82200124](#) [82600135](#) [84680100 MT1](#) [02244000](#) [B 080805 ABS GRAPHITE GREY](#) [B 140806 ABS GRAPHITE GREY](#) [ATPH 1850-150](#) [EG1240P](#) [B 140806 ABS LIGHT GREY](#) [B 261706 PC-V0-G GRAPHITE GREY](#) [82200135](#) [T890](#) [02208000](#) [02250000](#) [94122150](#) [41250109](#) [01123000](#) [01104000](#) [92800200](#) [BOP 500 BE4MC-9005](#) [BOP 500 BE4MC-9016](#) [BOP 7.0-9016](#) [BOP 700 BE4MN-9016](#) [BOP 900-9016](#) [BOP 900 BE4MN-9016](#) [ABP 1600-200](#) [96031115](#)