



SIZE :

80x80x25mm (3.15"x3.15"x0.98")

CONSTRUCTION :

Glass fiber reinforced plastic:
Impeller and housing PBT are UL 94V-0 rating

OPERATING TEMPERATURE :

Ball bearing - 30°C to + 75°C
Sleeve bearing - 10°C to + 70°C

INSULATION RESISTANCE :

10meg Ohm min. at 500 VDC
(between frame and terminal)

DIELECTRIC STRENGTH :

5mA max. at 500 VAC 60Hz one minute
(between frame and terminal)

FUNCTION :

auto-restart option
frequency generator or rotation detection signal option

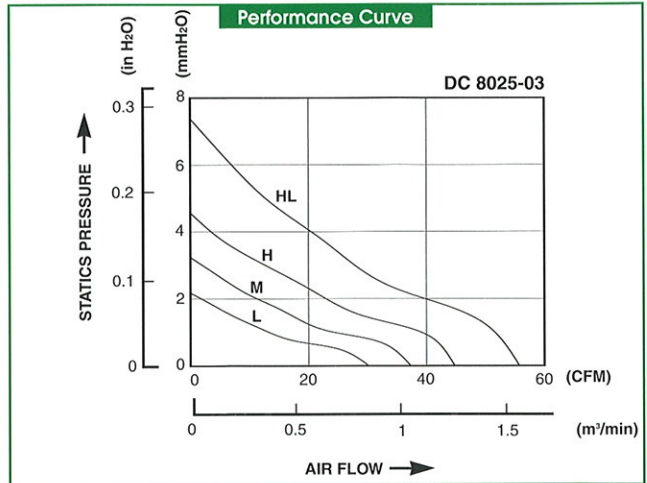
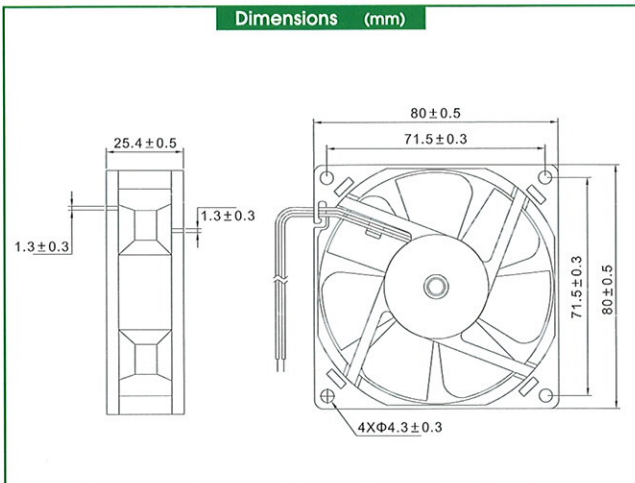
WEIGHT :

85 grams

Specifications

Specifications are subject to change without notice

MODEL NO.	BEARING	RATED VOLTAGE	OPERATING VOLTAGE RANGE	RATED CURRENT	RATED INPUT POWER	SPEED R.P.M.	MAX. AIR FLOW		MAX. AIR PRESSURE		NOISE dB-A
		VDC	V	A	W		m ³ min	CFM	mmH ₂ O	IN H ₂ O	
BP802512L-03	Ball	12	10.2-13.8	0.15	1.8	2100	0.75	26.4	2.13	0.08	23.7
SP802512L-03	Sleeve										
BP802512M-03	Ball	12	10.2-13.8	0.2	2.4	2700	0.96	34	3.16	0.12	32
SP802512M-03	Sleeve										
BP802512H-03	Ball	12	10.2-13.8	0.3	3.6	3300	1.17	41.37	4.38	0.17	36.8
SP802512H-03	Sleeve										
BP802512HL-03	Ball	12	10.2-13.8	0.4	4.8	4000	1.48	52.5	7.1	0.28	41.88
SP802512HL-03	Sleeve										





DC 8025-03



SIZE :

80x80x25mm (3.15"x3.15"x0.98")

CONSTRUCTION :

Glass fiber reinforced plastic:
Impeller and housing PBT are UL 94V-0 rating

OPERATING TEMPERATURE :

Ball bearing - 30°C to + 75°C
Sleeve bearing - 10°C to + 70°C

INSULATION RESISTANCE :

10meg Ohm min. at 500 VDC
(between frame and terminal)

DIELECTRIC STRENGTH :

5mA max. at 500 VAC 60Hz one minute
(between frame and terminal)

FUNCTION :

auto-restart option
frequency generator or rotation detection signal option

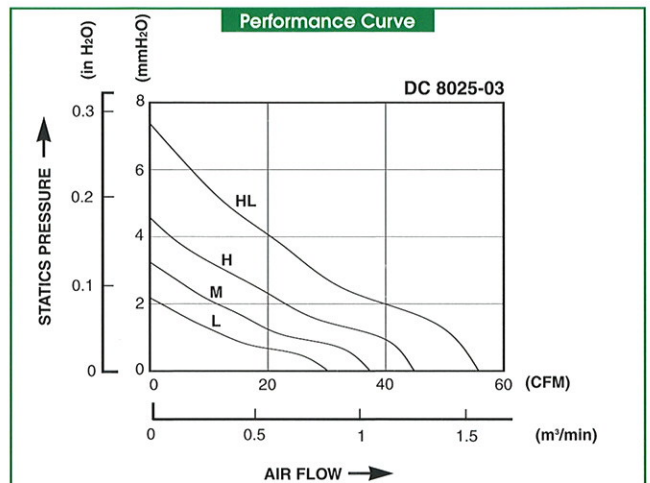
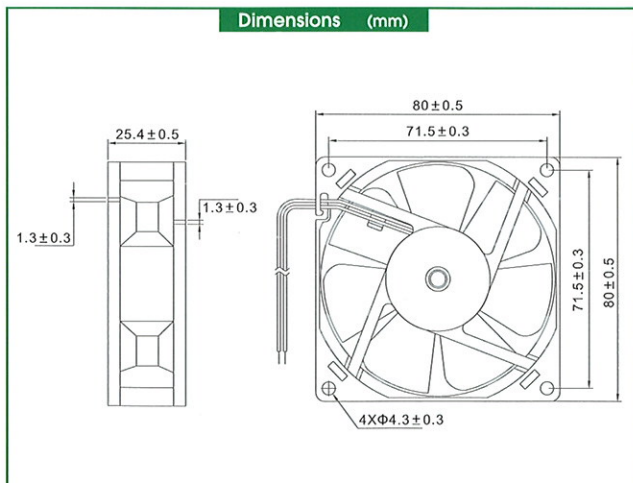
WEIGHT :

85 grams

Specifications

Specifications are subject to change without notice

MODEL NO.	BEARING	RATED VOLTAGE	OPERATING VOLTAGE RANGE	RATED CURRENT	RATED INPUT POWER	SPEED R.P.M.	MAX. AIR FLOW		MAX. AIR PRESSURE		NOISE dB-A
		VDC	V	A	W		m ³ /min	CFM	mmH ₂ O	IN H ₂ O	
BP802524L-03	Ball	24	20.4-27.6	0.12	2.88	2100	0.8	26.4	2.1	0.9	23.7
SP802524L-03	Sleeve										
BP802524M-03	Ball	24	20.4-27.6	0.17	4.08	2700	1.0	34.0	3.2	0.1	32.0
SP802524M-03	Sleeve										
BP802524H-03	Ball	24	20.4-27.6	0.21	5.04	3300	1.2	41.4	4.4	0.2	36.8
SP802524H-03	Sleeve										
BP802524HL-03	Ball	24	20.4-27.6	0.25	6.00	4000	1.5	52.5	7.1	0.3	41.9
SP802524HL-03	Sleeve										
BP802548M-03	Ball	48	40.8-55.2	0.12	5.76	2700	1.0	34.0	3.2	0.1	32.0
SP802548M-03	Sleeve										
BP802548H-03	Ball	48	40.8-55.2	0.15	7.20	3300	1.2	41.4	4.4	0.2	36.8
SP802548H-03	Sleeve										
BP802548HL-03	Ball	48	40.8-55.2	0.18	8.64	4000	1.5	52.5	7.1	0.3	41.9
SP802548HL-03	Sleeve										



X-ON Electronics

Largest Supplier of Electrical and Electronic Components

Click to view similar products for [DC Fans](#) category:

Click to view products by [Bi-Sonic](#) manufacturer:

Other Similar products are found below :

[614R](#) [6424/2HP-210](#) [8312R](#) [DV4118/2NP-183](#) [AFB0948HH-S687](#) [PFB0824DHE-8B72](#) [G2E085-AA05-10](#) [RD20S-4/210660](#) [4318/12T](#)
[4418HH](#) [AUB0912H-F00](#) [3412N/2ME](#) [K2E225-RA92-09](#) [4184N/2XR](#) [5214N2HH](#) [614J2HHPR-010](#) [8412NGL-12](#) [4114N/12HHR-297](#)
[4656](#) [ZWR-903](#) [4112N12GL-175](#) [KD2406PKB2.\(2\).GN](#) [AFB1248HHE](#) [AFB1212LE-F00](#) [FAN-SCH-1](#) [MF60151V1-1000U-G99](#)
[PF80252V1-1000U-G99](#) [PF92252V1-1000U-G99](#) [4112N/2H6P](#) [4114N/17-251](#) [6212NH](#) [622/2N](#) [712F-011](#) [8218J/2NP-181](#) [W1G180-AB47-](#)
[15](#) [FAA1-12038NBKW31-A](#) [6318N/2TDP](#) [6318N/2H3PU](#) [6318HU](#) [424JMU](#) [PMD1206PTVX-A.U.GN](#) [PF80251B2-000U-F99](#)
[EF40101BX-1000U-G99](#) [AD1224LB-A71GL](#) [9GA0924L4021](#) [9GA0924M4021](#) [9GA0924M4011](#) [9GA0824B20011](#) [9GA0812A2D0011](#)
[9GA0912M4D011](#) [9GA0924W4D01](#)