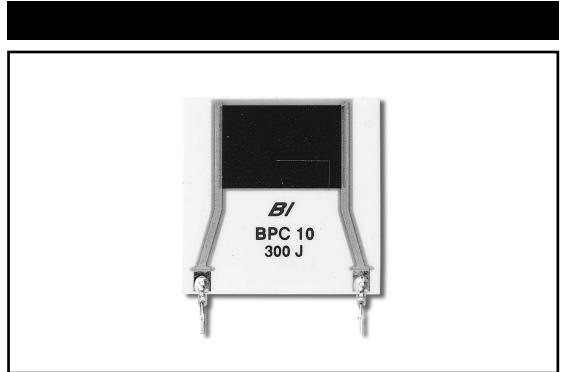


MODEL BPC SERIES

Noninductive Planar Thick Film Power Resistor Network



STANDARD TYPES

BPC 3	3 Watts
BPC 5	5 Watts
BPC 7	7.5 Watts
BPC 10	10 Watts

FEATURES

- High power density
- Power is dissipated above circuit board
- Low temperature solder
- Board layout flexibility

APPLICATIONS

- Inrush current limiters
- Power supply preloads
- Snubber circuits
- UPS systems

ELECTRICAL

Resistance Range, Ohms	BPC 3, BPC 5, BPC 7: 1 to 200K BPC 10: 3 to 200K
Resistance Tolerances	±10% Optional: ±1%, ±2%, ±5% (<10 Ohms = ±2%, ±5%)
Operating Temperature Range	-55°C to +125°C
Temperature Coefficient of Resistance, Maximum	±100ppm/°C
Power Ratings, Watts	3W, 5W, 7.5W, 10W
Operating Voltage, Maximum	300 Vac, 500 Vdc
Peak Current	20 x rated current up to 8 ms ($\Delta R \pm 0.5\%$)

Specifications subject to change without notice.

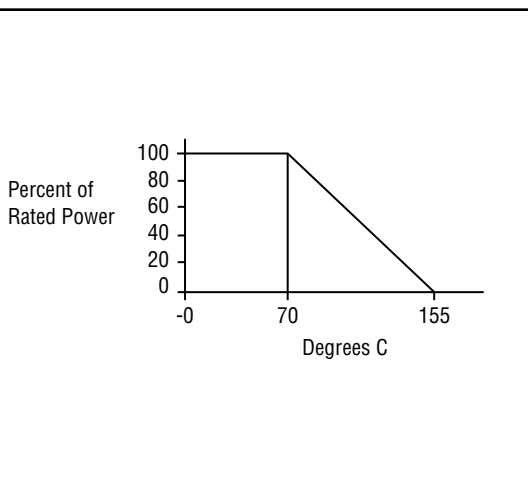
MECHANICAL

Lead Material	Solder Tinned Copper Alloy
Substrate Material	96% Alumina
Resistor Material	Ruthenium Oxide

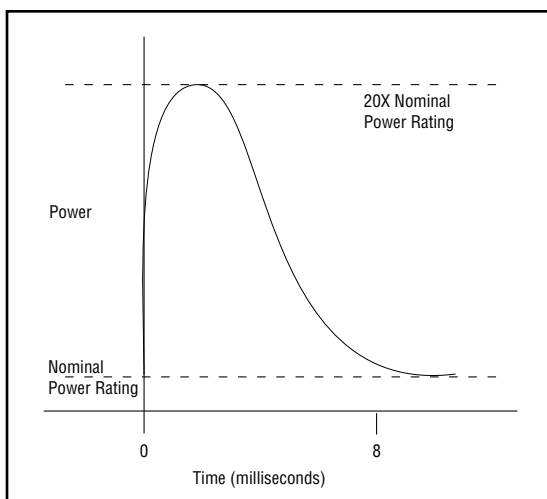
ENVIRONMENTAL (PER MIL-R-83401)

Thermal Shock	ΔR 0.50%
Terminal Strength	ΔR 0.25%
Moisture Resistance	ΔR 0.25%
Mechanical Shock	30G's, ΔR 0.25%
Vibration	10G's, 10 to 500 Hz ΔR 0.25%
Low Temperature Storage	ΔR 0.25%
High Temperature Exposure	ΔR 0.25%
Load Life, 1,000 Hours	ΔR 1.00%
Resistance to Solder Heat	ΔR 0.25%
Dielectric Withstanding Voltage, Minimum	5,000 Vdc
Marking Permanency	MIL-STD-202, Method 215
Lead Solderability	MIL-STD-202, Method 208
Flammability	UL 94V-0 Rated
Storage	-55°C to +155°C

POWER DERATING CURVE

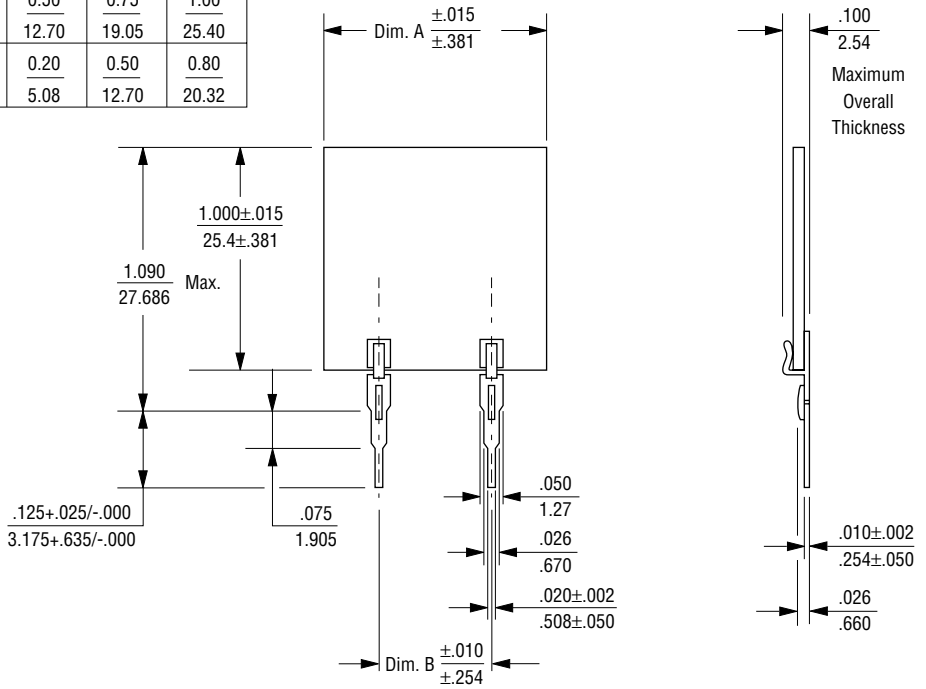


OVERLOAD CHARACTERISTICS



OUTLINE DIMENSIONS (Inch/mm)

Model	BPC 3	BPC 5	BPC 7	BPC 10
Dim. A	$\frac{0.40}{10.16}$	$\frac{0.50}{12.70}$	$\frac{0.75}{19.05}$	$\frac{1.00}{25.40}$
Dim. B	$\frac{0.20}{5.08}$	$\frac{0.20}{5.08}$	$\frac{0.50}{12.70}$	$\frac{0.80}{20.32}$



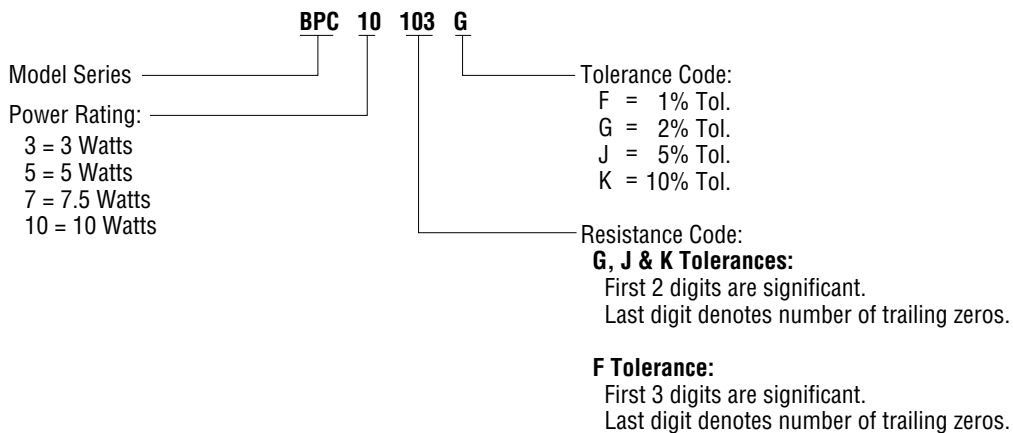
STANDARD RESISTANCE VALUES (OHMS)

Value	1	2	5	10	20	50	100	200	500	1K	2K	5K	10K	20K	50K
Code	1R0	2R0	5R0	100	200	500	101	201	501	102	202	502	103	203	503

PACKAGING

Standard: 50 per tray

ORDERING INFORMATION



X-ON Electronics

Largest Supplier of Electrical and Electronic Components

Click to view similar products for [tt electronics](#) manufacturer:

Other Similar products are found below :

[L083S392LF](#) [L061S391LF](#) [L091S224LF](#) [L061S220LF](#) [BCN164A562J7](#) [62PR25KLF](#) [CHP1501R00FLF](#) [BCN164AB470J7](#) [898-3-R150K](#)
[66XR10](#) [66XR200K](#) [66XR2K](#) [66XR50](#) [67WR1MEG](#) [67WR200KLFTB](#) [67ZR200](#) [68WR5K](#) [68XR2MEG](#) [72PXR10K](#) [72XR2.5K](#) [8109](#)
[82PR25K](#) [84WR10KTR](#) [PWC2512-330RJI](#) [OPB660N](#) [OPB748WZ](#) [OPB842W51Z](#) [OPB870T55](#) [OPF430](#) [P110KV1-0Y20BR50K](#) [P170SP1-](#)
[FC15AR10K](#) [89XHR10K](#) [L083C101](#) [91XR5K](#) [SML100M12MSF](#) [PFC-W0805LF-03-2870-B](#) [2627](#) [CR200L.5](#) [RC07GF220J](#) [RC55LF-D-](#)
[196R-B-B](#) [3371R5KL.5](#) [HM00-01800](#) [HM71-10220LFTR](#) [3371R5KL.25](#) [L083C122](#) [WH25-47RJI](#) [WH5-100RJI](#) [040585XM](#) [6679-420-0](#)
[CHP1-100-1R00-F](#)