

Speaker Miniature

pro-SIGNAL



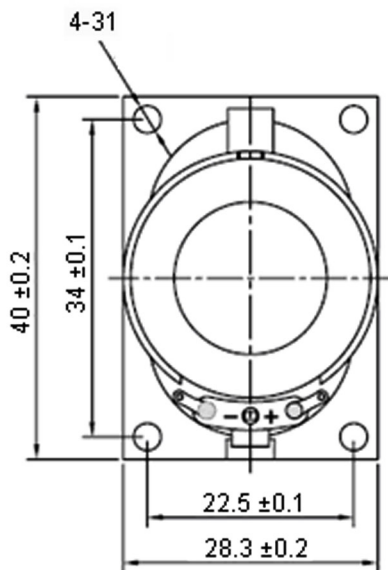
Features:

- Cone material : Black cloth edge paper cone
- Housing materials : ABS (Black)

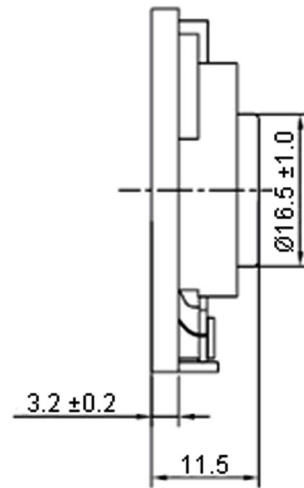


Specifications:

Transducer Function	: Speaker
Power Rating RMS	: 4W
Impedance	: 4Ω
Resonant Frequency	: 380Hz
Frequency Response	: 0Hz to 20,000kHz
External Width	: 28.3mm
Length	: 40mm
Sound Level SPL	: 84dB



Tolerance: ±0.5mm



Dimensions: Millimetres

pro-SIGNAL

Speaker Miniature

pro-SIGNAL

All data at 25°C unless otherwise specified

Specifications	ABS-230-RC
Nominal Power	2W
Maximum Power	4W
Impedance	4 ±15% Ω
Resonant Frequency	380 ±20%Hz
Sound Pressure Level (Average at 1W, 1M-0.8, 1, 1.2, 1.5KHz)	84 ±dB
Frequency Range	F 0-20,000 KHz
Operating Temperature	-20 to +60°C
Storage Temperature	-30 to +70°C
Weight	12g ±5%

Part Number Table

Description	Part Number
Speaker, Miniature, 4Ω, 4W	ABS-230-RC

Important Notice : This data sheet and its contents (the "Information") belong to the members of the Premier Farnell group of companies (the "Group") or are licensed to it. No licence is granted for the use of it other than for information purposes in connection with the products to which it relates. No licence of any intellectual property rights is granted. The Information is subject to change without notice and replaces all data sheets previously supplied. The Information supplied is believed to be accurate but the Group assumes no responsibility for its accuracy or completeness, any error in or omission from it or for any use made of it. Users of this data sheet should check for themselves the Information and the suitability of the products for their purpose and not make any assumptions based on information included or omitted. Liability for loss or damage resulting from any reliance on the Information or use of it (including liability resulting from negligence or where the Group was aware of the possibility of such loss or damage arising) is excluded. This will not operate to limit or restrict the Group's liability for death or personal injury resulting from its negligence. pro-SIGNAL is the registered trademark of the Group. © Premier Farnell plc 2012.

www.element14.com
www.farnell.com
www.newark.com
www.cpc.co.uk

pro-SIGNAL

X-ON Electronics

Authorized Distributor

Click to view similar products for [Pro Signal](#) manufacturer.

Other Similar products are found below :

[11998795](#) [11998870](#) [11998871](#) [11W3S61106IN](#) [1260B](#) [2413485](#) [2413486](#) [2415620](#)
[2415621](#) [2415622](#) [2415623](#) [2415624](#) [2415625](#) [2415626](#) [2415627](#) [2415628](#) [271450](#)
[275915](#) [277942](#) [278076](#) [278155](#) [278159](#) [278160](#) [278162](#) [278174](#)