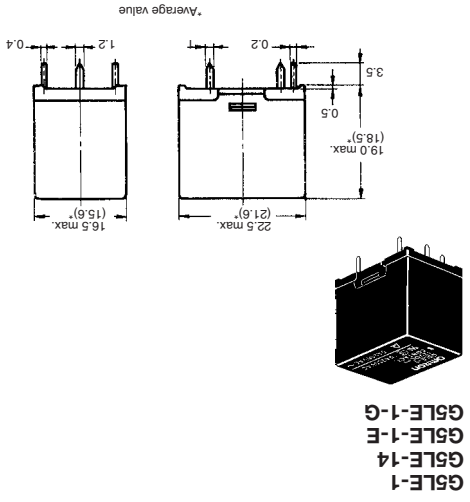


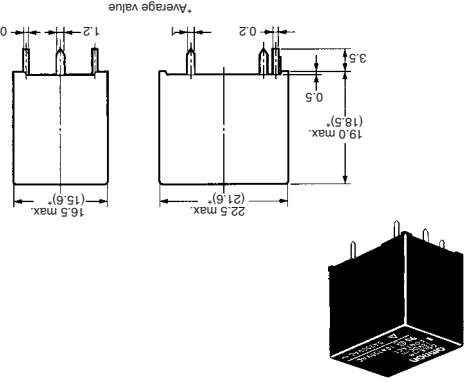
PCB Power Relay – G5LE

Dimensions

Note: 1. All units are in millimetres unless otherwise indicated.
2. Orientation marks are indicated as follows:



G5LE-1
G5LE-14
G5LE-1E
G5LE-1-G

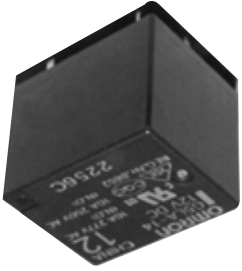


G5LE-1A
G5LE-1A4
G5LE-1A-E
G5LE-1A-G

PCB Relay – G5LA

A Cubic, Single-pole 10A Power Relay

- Small size and light weight
- 19.6 x 15.6 x 15.6 mm, 7.5g
- High insulation
- Dielectric strength 2,000V
- Withstand impulse voltage 4,500V
- High heat resistance and tracking performance
- UL class-F available (-CF model)
- IEC60335 GWT compliant
- Tracking resistance CTI>250
- Environmental friendly
- ROHS compliant.



Power Relays

Ordering Information

| Contact form | Switching capacity | Flux protection | | Model number |
|--------------|--------------------|-----------------|-------------------------|--------------|
| | | Standard | High capacity (NC side) | |
| SPDT | Fully sealed | G5LA-14 | G5LA-14-CF | G5LA-14 |
| | | G5LA-14-CF | G5LA-14-E-CF | G5LA-14-CF |
| | | G5LA-14-E | G5LA-14-E | G5LA-14-E |
| | | G5LA-14-E-CF | G5LA-14-E-CF | G5LA-14-E-CF |
| SPST-NO | Fully sealed | G5LA-1A | G5LA-1A-CF | G5LA-1A |
| | | G5LA-1A-CF | G5LA-1A4-CF | G5LA-1A4 |
| | | G5LA-1A4 | G5LA-1A4 | G5LA-1A4 |
| | | G5LA-1A4-CF | G5LA-1A4-CF | G5LA-1A4-CF |

Note: When ordering, add the rated coil voltage to the model number.

Examples : G5LA-1 12VDC

Rated Coil Voltage

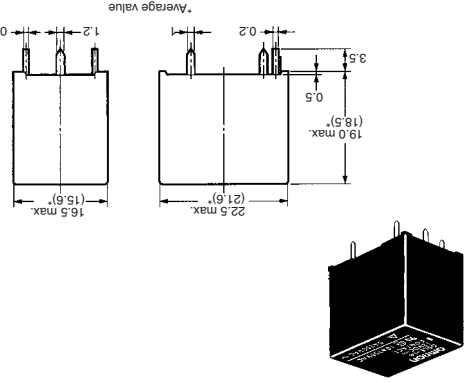
Model Number Legend
G5LA □ □ □ □ - □ □ □ □ VDC

1. Number of Poles
1: 1 pole
2. Contact Type
None: Standard
E: High capacity (NC side)
3. Contact Form/Contact Construction
None: SPDT
A: SPST-NO
4. UL Insulation System
None: Standard
CF: Class F
5. Sealing/Protective Construction
None: Flux protection
4: Fully sealed
6. Rated Coil Voltage

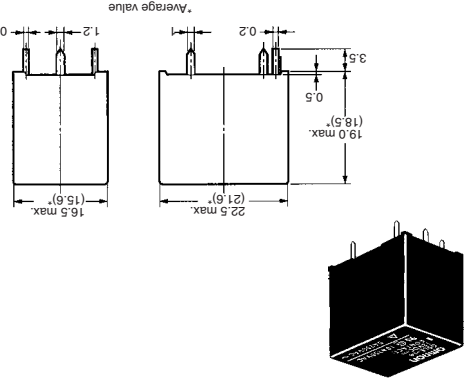
PCB Power Relay – G5LE

Dimensions

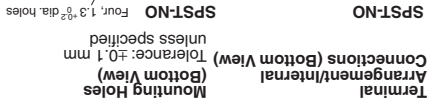
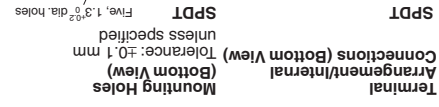
Note: 1. All units are in millimetres unless otherwise indicated.
2. Orientation marks are indicated as follows:



G5LE-1
G5LE-14
G5LE-1E
G5LE-1-G



G5LE-1A
G5LE-1A4
G5LE-1A-E
G5LE-1A-G

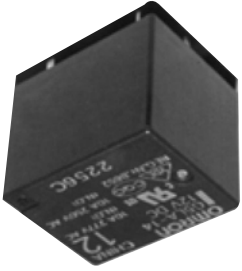


ALL DIMENSIONS SHOWN ARE IN MILLIMETRES.
To convert millimetres into inches, multiply by 0.03937. To convert grams into ounces, multiply by 0.03527.

PCB Relay – G5LA

A Cubic, Single-pole 10A Power Relay

- Small size and light weight
- 19.6 x 15.6 x 15.6 mm, 7.5g
- High insulation
- Dielectric strength 2,000V
- Withstand impulse voltage 4,500V
- High heat resistance and tracking performance
- UL class-F available (-CF model)
- IEC60335 GWT compliant
- Tracking resistance CTI>250
- Environmental friendly
- ROHS compliant.



Power Relays

Ordering Information

| Contact form | Switching capacity | Flux protection | | Model number |
|--------------|--------------------|-----------------|-------------------------|--------------|
| | | Standard | High capacity (NC side) | |
| SPDT | Fully sealed | G5LA-14 | G5LA-14-CF | G5LA-14 |
| | | G5LA-14-CF | G5LA-14-E-CF | G5LA-14-CF |
| | | G5LA-14-E | G5LA-14-E | G5LA-14-E |
| | | G5LA-14-E-CF | G5LA-14-E-CF | G5LA-14-E-CF |
| SPST-NO | Fully sealed | G5LA-1A | G5LA-1A-CF | G5LA-1A |
| | | G5LA-1A-CF | G5LA-1A4-CF | G5LA-1A4 |
| | | G5LA-1A4 | G5LA-1A4 | G5LA-1A4 |
| | | G5LA-1A4-CF | G5LA-1A4-CF | G5LA-1A4-CF |

Note: When ordering, add the rated coil voltage to the model number.

Examples : G5LA-1 12VDC

Rated Coil Voltage

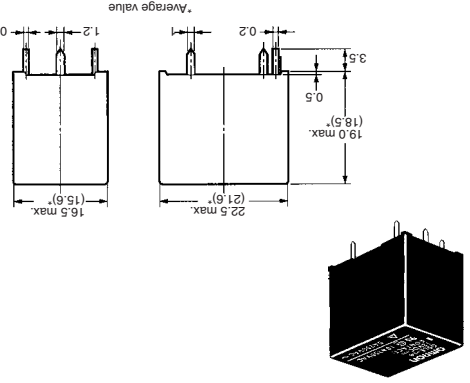
Model Number Legend
G5LA □ □ □ □ - □ □ □ □ VDC

1. Number of Poles
1: 1 pole
2. Contact Type
None: Standard
E: High capacity (NC side)
3. Contact Form/Contact Construction
None: SPDT
A: SPST-NO
4. UL Insulation System
None: Standard
CF: Class F
5. Sealing/Protective Construction
None: Flux protection
4: Fully sealed
6. Rated Coil Voltage

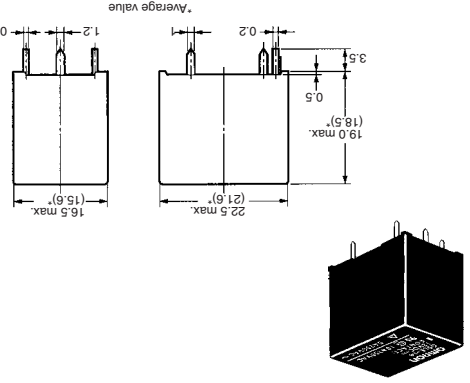
PCB Power Relay – G5LE

Dimensions

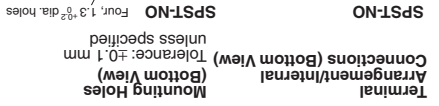
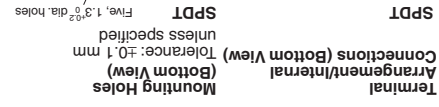
Note: 1. All units are in millimetres unless otherwise indicated.
2. Orientation marks are indicated as follows:



G5LE-1
G5LE-14
G5LE-1E
G5LE-1-G



G5LE-1A
G5LE-1A4
G5LE-1A-E
G5LE-1A-G

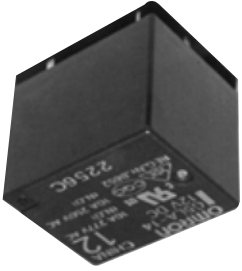


ALL DIMENSIONS SHOWN ARE IN MILLIMETRES.
To convert millimetres into inches, multiply by 0.03937. To convert grams into ounces, multiply by 0.03527.

PCB Relay – G5LA

A Cubic, Single-pole 10A Power Relay

- Small size and light weight
- 19.6 x 15.6 x 15.6 mm, 7.5g
- High insulation
- Dielectric strength 2,000V
- Withstand impulse voltage 4,500V
- High heat resistance and tracking performance
- UL class-F available (-CF model)
- IEC60335 GWT compliant
- Tracking resistance CTI>250
- Environmental friendly
- ROHS compliant.



Power Relays

Ordering Information

| Contact form | Switching capacity | Flux protection | | Model number |
|--------------|--------------------|-----------------|-------------------------|--------------|
| | | Standard | High capacity (NC side) | |
| SPDT | Fully sealed | G5LA-14 | G5LA-14-CF | G5LA-14 |
| | | G5LA-14-CF | G5LA-14-E-CF | G5LA-14-CF |
| | | G5LA-14-E | G5LA-14-E | G5LA-14-E |
| | | G5LA-14-E-CF | G5LA-14-E-CF | G5LA-14-E-CF |
| SPST-NO | Fully sealed | G5LA-1A | G5LA-1A-CF | G5LA-1A |
| | | G5LA-1A-CF | G5LA-1A4-CF | G5LA-1A4 |
| | | G5LA-1A4 | G5LA-1A4 | G5LA-1A4 |
| | | G5LA-1A4-CF | G5LA-1A4-CF | G5LA-1A4-CF |

Note: When ordering, add the rated coil voltage to the model number.

Examples : G5LA-1 12VDC

Rated Coil Voltage

Model Number Legend
G5LA □ □ □ □ - □ □ □ □ VDC

1. Number of Poles
1: 1 pole
2. Contact Type
None: Standard
E: High capacity (NC side)
3. Contact Form/Contact Construction
None: SPDT
A: SPST-NO
4. UL Insulation System
None: Standard
CF: Class F
5. Sealing/Protective Construction
None: Flux protection
4: Fully sealed
6. Rated Coil Voltage

PCB Relay – G5LA

Specifications

■ Coil Ratings

| Rated voltage | Rated current | Coil resistance | Must operate voltage | Must release voltage | Max. voltage | Power consumption |
|---------------|---------------|-----------------|---------------------------|---------------------------|--|-------------------|
| 5 VDC | 72 mA | 69.4 Ω | 75% max. of rated voltage | 10% min. of rated voltage | 130% of rated voltage at 85°C, 170% of rated voltage at 23°C | 360 mW |
| 9 VDC | 40 mA | 225 Ω | | | | |
| 12 VDC | 30 mA | 400 Ω | | | | |
| 24 VDC | 15 mA | 1600 Ω | | | | |
| 48 VDC | 10 mA | 4800 Ω ±2 | | | | 480mW |

Note: The rated current and coil resistance are measured at a coil temperature of 23°C with a tolerance of ±10%.

■ Contact Ratings

| Item | Standard model | | High capacity (-E) model |
|--------------------------------|-----------------|-------------------|--------------------------|
| | NO | NO/NC | |
| Rated load | 10A at 24VDC | 5A/5A at 125VAC | 5A/5A at 24VDC |
| Rated carry current | 10A(NO), 5A(NC) | 10A | 5A/5A at 24VDC |
| Max. switching voltage | 250VAC, 24VDC | 10A(NO), 5A(NC) | 5A/5A at 24VDC |
| Max. switching current | 10A(NO), 5A(NC) | 10A | 5A/5A at 24VDC |
| Max. switching power | NO | AC2,500VA, DC240W | AC1,250VAC, DC120W |
| Failure rate (reference value) | NO/NC | AC625VA, DC120W | AC1,250VAC, DC120W |

Note: P level: λ.60 = 0.1 x 10⁶/operation

■ Characteristics

| | |
|--------------------------|---|
| Contact resistance | 100 mΩ max. |
| Operate time | 10 ms max. |
| Release time | 5 ms max. |
| Max. switching frequency | Mechanical: 1,800 operations/hr (under rated load) Electrical: 1,000,000 operations typical |
| Insulation resistance | 1,000MΩ min. (at 500 VDC) |
| Dielectric strength | 2,000 VAC, 1mA 50/60Hz for 1 min between coil and contacts 750 VAC 1mA 50/60Hz for 1 min between contacts of same polarity |
| Vibration resistance | Destruction: 10 to 55Hz, 1.5mm double amplitude Malfunction: 10 to 55Hz, 1.5mm double amplitude |
| Shock resistance | Destruction: 1,000 m/s ² (approx. 100G) Malfunction: 100 m/s ² (approx. 10G) |
| Endurance | Mechanical: 10,000,000 operations min. Electrical: 100,000 operations typical |
| Ambient temperature | Operating: -40° to 85° (with no icing) Storage: -40° to 85° (with no icing) |
| Ambient humidity | Operating: 35% to 85% Storage: 35% to 85% |
| Weight | Approx. 7.5g |

Note: Values in the above table are the initial values.

PCB Relay – G5LA

■ Approved Standards

UL508 (UL File No. E41643)

EN61810-1 (VDE Reg. No. B652)

| Model | Coil ratings | Contact ratings |
|-------|--------------|--|
| G5LA | 5 to 48 VDC | NO: 10A, 277VAC, general use, 100,000 cycles 10A, 277VAC, general use, 85°C, 50,000 cycles (-CF model) 15A, 125VAC, general use, 50,000 cycles 1/2Hp, 125VAC 1/2Hp, 250VAC 200W tungsten, 125VAC, 100,000 cycles NC: 10A, 125VAC, resistive 10A, 277VAC, general use, 100,000 cycles (-E model) |

EN61810-1 (VDE Reg. No. B652)

| Model | Coil ratings | Contact ratings |
|-------|-----------------------|---|
| G5LA | 5,6,9,12,18,24,48 VDC | NO: 10A, 250VAC, cosφ=1, 85°C, 1 sec - flux protection: 50,000 cycles 10A, 250VAC, cosφ=1, 85°C, 5 sec 12A, 125VAC, cosφ=1, 85°C, 10,000 NC: 10A, 250VAC, cosφ=1, 85°C, 25,000 5A, 250VAC, cosφ=1, 85°C - flux protection: 10,000 cycles - fully sealed: 10,000 cycles |

GB15092.1 (CQC File No. CQC6001015477)

| Model | Coil ratings | Contact ratings |
|-------|------------------|---|
| G5LA | 5,9,12,24,48 VDC | NO: 10A, 250VAC, resistive, 10,000 cycles 12A, 120VAC, resistive, 10,000 cycles NO/NC: 10A, 250VAC, resistive, 10,000 cycles (-E model) 12A, 250VAC, resistive, 10,000 cycles (-E model) |

Power Relays

PCB Relay – G5LA

Specifications

■ Coil Ratings

| Rated voltage | Rated current | Coil resistance | Must operate voltage | Must release voltage | Max. voltage | Power consumption |
|---------------|---------------|-----------------|---------------------------|---------------------------|--|-------------------|
| 5 VDC | 72 mA | 69.4 Ω | 75% max. of rated voltage | 10% min. of rated voltage | 130% of rated voltage at 85°C, 170% of rated voltage at 23°C | 360 mW |
| 9 VDC | 40 mA | 225 Ω | | | | |
| 12 VDC | 30 mA | 400 Ω | | | | |
| 24 VDC | 15 mA | 1600 Ω | | | | |
| 48 VDC | 10 mA | 4800 Ω ±2 | | | | 480mW |

Note: The rated current and coil resistance are measured at a coil temperature of 23°C with a tolerance of ±10%.

■ Contact Ratings

| Item | Standard model | | High capacity (-E) model |
|--------------------------------|-----------------|-------------------|--------------------------|
| | NO | NO/NC | |
| Rated load | 10A at 24VDC | 5A/5A at 125VAC | 5A/5A at 24VDC |
| Rated carry current | 10A(NO), 5A(NC) | 10A | 5A/5A at 24VDC |
| Max. switching voltage | 250VAC, 24VDC | 10A(NO), 5A(NC) | 5A/5A at 24VDC |
| Max. switching current | 10A(NO), 5A(NC) | 10A | 5A/5A at 24VDC |
| Max. switching power | NO | AC2,500VA, DC240W | AC1,250VAC, DC120W |
| Failure rate (reference value) | NO/NC | AC625VA, DC120W | AC1,250VAC, DC120W |

Note: P level: λ.60 = 0.1 x 10⁶/operation

■ Characteristics

| | |
|--------------------------|---|
| Contact resistance | 100 mΩ max. |
| Operate time | 10 ms max. |
| Release time | 5 ms max. |
| Max. switching frequency | Mechanical: 1,800 operations/hr (under rated load) Electrical: 1,000 operations/hr |
| Insulation resistance | 1,000MΩ min. (at 500 VDC) |
| Dielectric strength | 2,000 VAC, 1mA 50/60Hz for 1 min between coil and contacts 750 VAC 1mA 50/60Hz for 1 min between contacts of same polarity |
| Vibration resistance | Destruction: 10 to 55Hz, 1.5mm double amplitude Malfunction: 10 to 55Hz, 1.5mm double amplitude |
| Shock resistance | Destruction: 1,000 m/s ² (approx. 100G) Malfunction: 100 m/s ² (approx. 10G) |
| Endurance | Mechanical: 10,000,000 operations min. Electrical: 100,000 operations typical |
| Ambient temperature | Operating: -40° to 85° (with no icing) Storage: -40° to 85° (with no icing) |
| Ambient humidity | Operating: 35% to 85% Storage: 35% to 85% |
| Weight | Approx. 7.5g |

Note: Values in the above table are the initial values.

PCB Relay – G5LA

■ Approved Standards

UL508 (UL File No. E41643)

EN61810-1 (VDE Reg. No. B652)

| Model | Coil ratings | Contact ratings |
|-------|--------------|--|
| G5LA | 5 to 48 VDC | NO: 10A, 277VAC, general use, 100,000 cycles 10A, 277VAC, general use, 85°C, 50,000 cycles (-CF model) 15A, 125VAC, general use, 50,000 cycles 1/2Hp, 125VAC 1/2Hp, 250VAC 200W tungsten, 125VAC, 100,000 cycles NC: 10A, 125VAC, resistive 10A, 277VAC, general use, 100,000 cycles (-E model) |

EN61810-1 (VDE Reg. No. B652)

| Model | Coil ratings | Contact ratings |
|-------|-----------------------|---|
| G5LA | 5,6,9,12,18,24,48 VDC | NO: 10A, 250VAC, cosφ=1, 85°C, 1 sec - flux protection: 50,000 cycles 10A, 250VAC, cosφ=1, 85°C, 5 sec 12A, 125VAC, cosφ=1, 85°C, 10,000 NC: 10A, 250VAC, cosφ=1, 85°C, 25,000 5A, 250VAC, cosφ=1, 85°C - flux protection: 10,000 cycles - fully sealed: 10,000 cycles |

GB15092.1 (CQC File No. CQC6001015477)

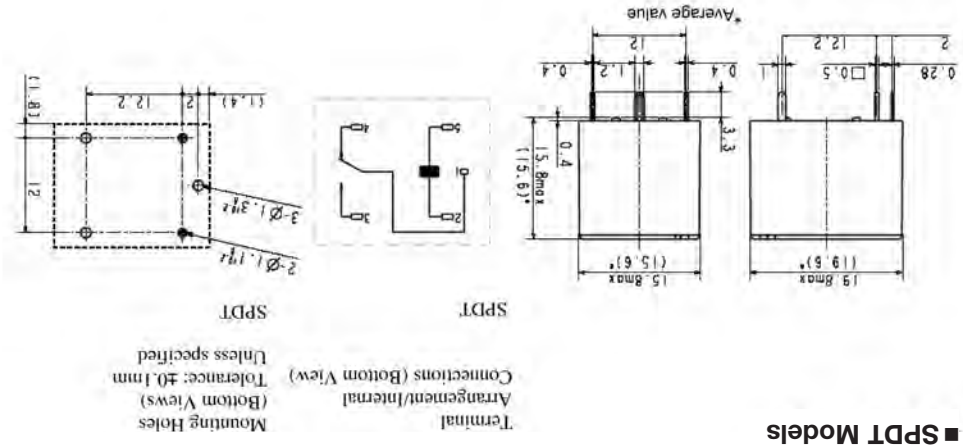
| Model | Coil ratings | Contact ratings |
|-------|------------------|---|
| G5LA | 5,9,12,24,48 VDC | NO: 10A, 250VAC, resistive, 10,000 cycles 12A, 120VAC, resistive, 10,000 cycles NO/NC: 10A, 250VAC, resistive, 10,000 cycles (-E model) 12A, 250VAC, resistive, 10,000 cycles (-E model) |

Power Relays

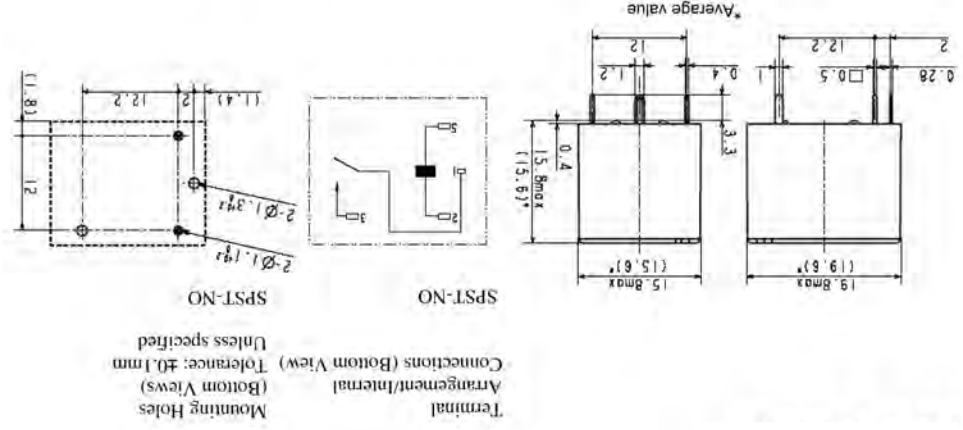
PCB Relay - G5LA

Dimensions

Note: All units are in millimeters unless otherwise indicated.



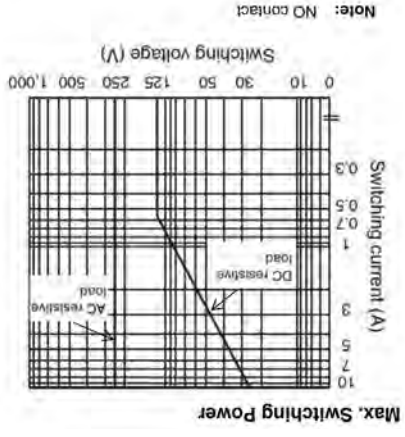
■ SPDT Models



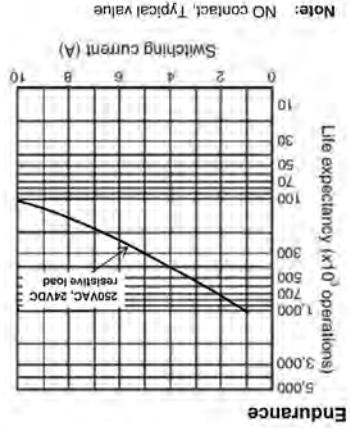
■ SPST-NO Models

PCB Relay - G5LA

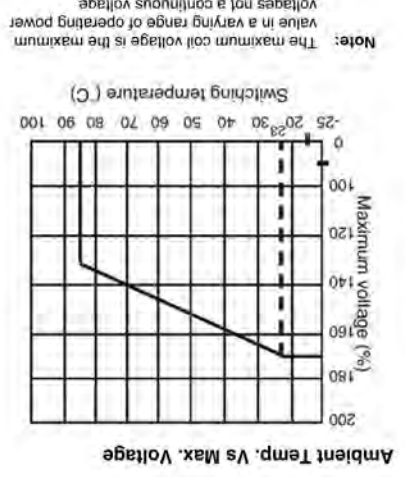
Engineering Data



Note: NO contact



Note: NO contact, typical value



Note: The maximum coil voltage is the maximum value in a varying range of operating power voltages not a continuous voltage

ALL DIMENSIONS SHOWN ARE IN MILLIMETRES.
To convert millimetres into inches, multiply by 0.03937. To convert grams into ounces, multiply by 0.03527.

CAT. No. K901-E2-01

X-ON Electronics

Largest Supplier of Electrical and Electronic Components

Click to view similar products for [General Purpose Relays](#) category:

Click to view products by [Omron](#) manufacturer:

Other Similar products are found below :

[APF30318](#) [JVN1AF-4.5V-F](#) [PCN-105D3MHZ](#) [5JO-10000S-SIL](#) [5JO-1000CD-SIL](#) [5JO-400CD-SIL](#) [LY2S-AC220/240](#) [LYQ20DC12](#)
[6031007G](#) [6131406HQ](#) [6-1393099-3](#) [6-1393099-8](#) [6-1393122-4](#) [6-1393123-2](#) [6-1393767-1](#) [6-1393843-7](#) [6-1415012-1](#) [6-1419102-2](#) [6-1423698-4](#) [6-1608051-6](#) [6-1608067-0](#) [6-1616170-6](#) [6-1616248-2](#) [6-1616282-3](#) [6-1616348-2](#) [6-1616350-1](#) [6-1616350-8](#) [6-1616358-7](#) [6-1616359-9](#) [6-1616360-9](#) [6-1616931-6](#) [6-1617039-1](#) [6-1617052-1](#) [6-1617090-2](#) [6-1617090-5](#) [6-1617347-5](#) [6-1617353-3](#) [6-1617801-8](#) [6-1617802-2](#) [6-1618107-9](#) [6-1618248-4](#) [M83536/1-027M](#) [CX-4014](#) [MAHC-5494](#) [MAVCD-5419-6](#) [703XCX-120A](#) [7-1393100-5](#) [7-1393111-7](#)
[7-1393144-5](#) [7-1393767-8](#)