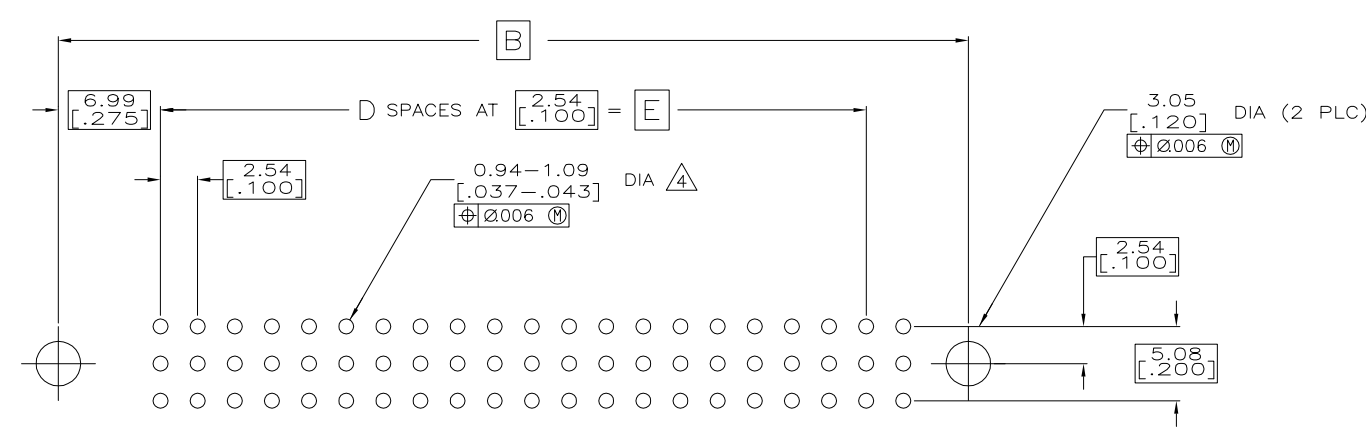
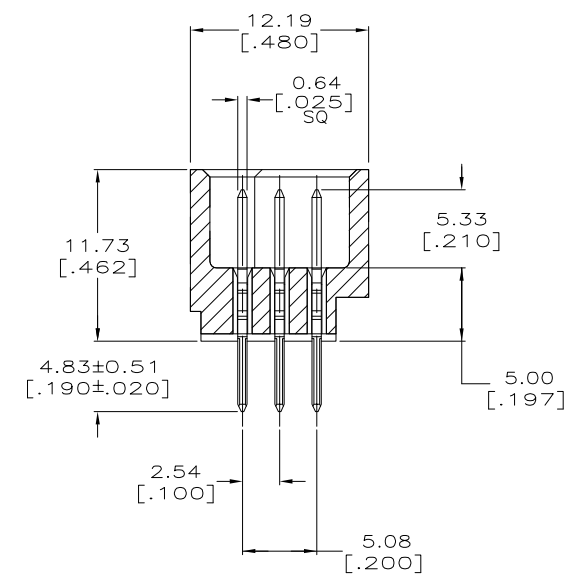
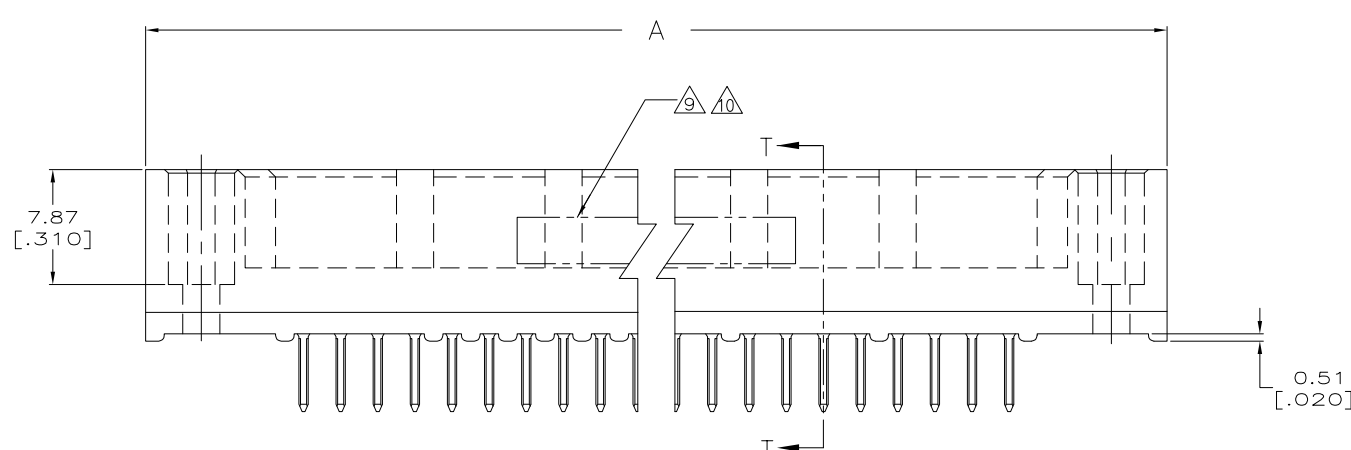
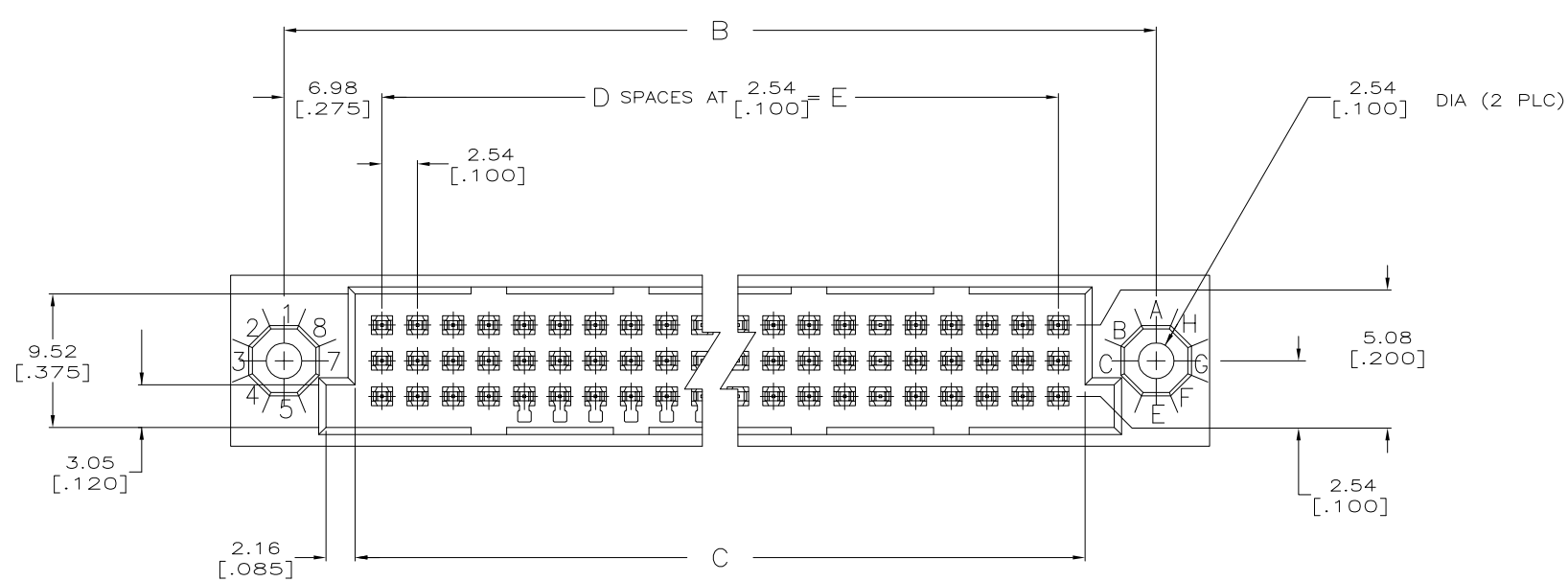


LOC	DIST	REVISIONS			
#	LTR	DESCRIPTION	DATE	DWN	APPD
V		REVISED PER ECR-15-013724	15OCT2015	DS	FY




RECOMMENDED P.C. BOARD LAYOUT

THIS DRAWING IS A CONTROLLED DOCUMENT.		DWN R.K. SEIFRIED 04/09/90	TE Connectivity	
DIMENSIONS: mm [NCHES]		CHK G. SKIPPER 01/21/92	NAME	
TOLERANCES UNLESS OTHERWISE SPECIFIED:		PRODUCT SPEC		
0 PLC	± -	APPLICATION SPEC		
1 PLC	± -	RESTRICTED TO		
2 PLC	± -	SIZE CAGE CODE DRAWING NO		
3 PLC	± 0.13 [.005]	A1 00779 C=532433		
4 PLC	± -	WEIGHT		
ANGLES	± -	CUSTOMER DRAWING		
FINISH	± -	SCALE 4:1 SHEET 1 OF 2 REV V		

- ① HOUSING MATERIAL: THERMOPLASTIC, COLOR-BLACK.
- ② CONTACT MATERIAL: PHOSPHOR BRONZE.
- ③ CONTACT FINISH: .00127-.00254 [.000050-.000100] NICKEL UNDERPLATE ALL OVER; .00076 [.000030] GOLD PLATE IN CONTACT AREA, TIN-LEAD PLATED POSTS.
- ④ SOLDER PIN POST RECOMMENDED P.C. BOARD HOLE SIZES ARE 0.94-1.09 [.037-.043]; RECOMMENDED PAD DIA IS 1.52 [.060].
- 5. DIMENSIONS IN BRACKETS ARE IN INCHES.
- ⑥ HOUSINGS WITH CENTER MOUNTING IS RECOMMENDED FOR ASSEMBLIES HAVING 75 CONTACTS PER ROW OR MORE.
- ⑦ PART NUMBER IS OBSOLETE.
- ⑧ NO CONTACT LUBRICANT
- ⑨ AMP, PART NUMBER, AND DATE CODE
- ⑩ OEFD0-983-9000-047, REV-, 00779 AND DATE CODE, ONLY FOR PART NUMBER 2-532433-3
- ⑪ PART NUMBER IS FOR ROCKWELL COLLINS.

⑪⑩⑧	60.96 [2.400]	24	64.77 [2.550]	74.93 [2.950]	82.55 [3.250]	75	2-532433-3
							2-532433-2
⑦	43.18 [1.700]	17	46.99 [1.850]	57.15 [2.250]	64.77 [2.550]	54	2-532433-1
⑦							2-532433-0
⑦	210.82 [8.300]	83	214.63 [8.450]	224.79 [8.850]	232.41 [9.150]	252	1-532433-9
⑦							1-532433-8
⑦							1-532433-7
⑦							1-532433-6
⑦							1-532433-5
⑦	213.36 [8.400]	84	217.17 [8.550]	227.33 [8.950]	234.95 [9.250]	255	1-532433-4
⑦	200.66 [7.900]	79	204.47 [8.050]	214.63 [8.450]	222.25 [8.750]	240	1-532433-3
	187.96 [7.400]	74	191.77 [7.550]	201.93 [7.950]	209.55 [8.250]	225	1-532433-2
	175.26 [6.900]	69	179.07 [7.050]	189.23 [7.450]	196.85 [7.750]	210	1-532433-1
⑦	162.56 [6.400]	64	166.37 [6.550]	176.53 [6.950]	184.15 [7.250]	195	1-532433-0
⑦	149.86 [5.900]	59	153.67 [6.050]	163.83 [6.450]	171.45 [6.750]	180	532433-9
	137.16 [5.400]	54	140.97 [5.550]	151.13 [5.950]	158.75 [6.250]	165	532433-8
	124.46 [4.900]	49	128.27 [5.050]	138.43 [5.450]	146.05 [5.750]	150	532433-7
	111.76 [4.400]	44	115.57 [4.550]	125.73 [4.950]	133.35 [5.250]	135	532433-6
	99.06 [3.900]	39	102.87 [4.050]	113.03 [4.450]	120.65 [4.750]	120	532433-5
	86.36 [3.400]	34	90.17 [3.550]	100.33 [3.950]	107.95 [4.250]	105	532433-4
	78.74 [3.100]	31	82.55 [3.250]	92.71 [3.650]	100.33 [3.950]	96	532433-3
	73.66 [2.900]	29	77.47 [3.050]	87.63 [3.450]	95.25 [3.750]	90	532433-2
	60.96 [2.400]	24	64.77 [2.550]	74.93 [2.950]	82.55 [3.250]	75	532433-1
	E	D	C	B	A	POSN	PART NUMBER

THIS DRAWING IS A CONTROLLED DOCUMENT.		DWN R.K. SEIFRIED CHK G. SKIPPER APVD	04/09/90 01/21/92	 TE Connectivity	
DIMENSIONS: mm [NCHES]	TOLERANCES UNLESS OTHERWISE SPECIFIED:	NAME		PRODUCT SPEC	
0 PLC ± -	1 PLC ± -	HDI, 3 ROW, PIN ASSEMBLY,		4.83 [190] LONG SOLDER PINS,	
2 PLC ± -	3 PLC ± 0.13 [.005]	APPLICATION SPEC		.00076 [.000030] GOLD PLATE	
4 PLC ± -	ANGLES ± -	SIZE		CAGE CODE	
MATERIAL	FINISH	DRAWING NO		RESTRICTED TO	
		A1 00779 C=532433		-	
CUSTOMER DRAWING				SCALE	4:1
				SHEET	2 of 2
				REV	V

X-ON Electronics

Largest Supplier of Electrical and Electronic Components

Click to view similar products for [High Speed/Modular Connectors](#) category:

Click to view products by [TE Connectivity](#) manufacturer:

Other Similar products are found below :

[2332816-1](#) [89006-1137LF](#) [650827-1](#) [65762-001LF](#) [73474-201LF](#) [74040-1346](#) [74075-0267](#) [88911-201LF](#) [9514M0C20D](#) [1410191-1](#)
[1410337-1](#) [1410368-3](#) [1410964-2](#) [1410326-3](#) [1410367-3](#) [1410971-4](#) [1467833-1](#) [2000877-1](#) [2000878-1](#) [2041314-1](#) [2065387-1](#) [2187307-1](#)
[2187462-1](#) [2226278-6](#) [KA81-07](#) [91290-101LF](#) [1934290-1](#) [2000875-1](#) [2065917-1](#) [2102736-2](#) [FSR-40](#) [2169868-2](#) [2226279-2](#) [22354-8](#) [437-](#)
[5040-000](#) [5-1393565-0](#) [532449-3](#) [532803-2](#) [34745-0001](#) [0740618502](#) [0760151403](#) [0760551105](#) [0760551608](#) [0761451128](#) [0761651124](#)
[0761655108](#) [0761659807](#) [0769853208](#) [0736440217](#) [0758324203](#)