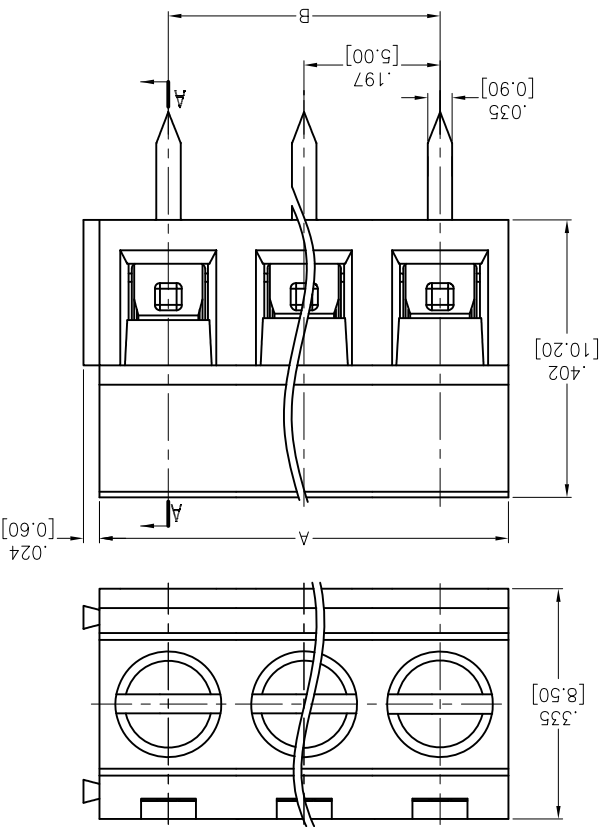
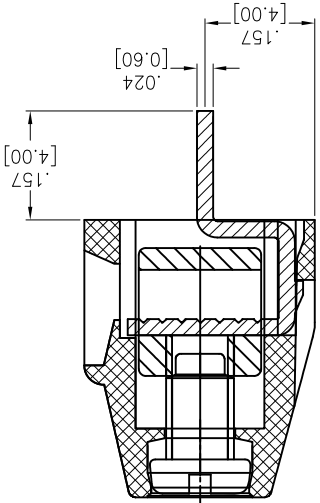


ROHS COMPLIANT

Lead free, RoHS compliant.
 Environmental:
 Operating temperature: -40°C to +105°C
 Environmental:
 Wire strip length: 6-7mm
 Wire Range: 26-16 AWG 1.5mm²
 Torque: 0.4Nm(3.5lb-in)
 Mechanical:
 Dielectric withstanding voltage: 2000 VAC for 1 minut
 Insulation resistance: 500 Mohms min @DC 1000V
 Contact Resistance: 20 mohms max.
 Current rating: 8 Amps
 Operation voltage: 300 VAC
 Electrical:

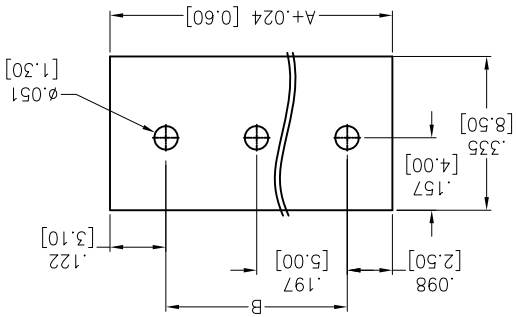
SPECIFICATIONS:

Material: Insulator: PA66, rated UL 94V-0
 Insulator color: Green
 Screw: M2.5, Steel, Zinc plated.
 Contact: Brass, Tin plated.
 Cage: Brass, Nickel plated.



Poles: 2 thru 24
 A = .197 [5.00] X No. of Positions
 B = .197 [5.00] X No. of Spaces

RECOMMENDED PCB LAYOUT



UNLESS OTHERWISE SPECIFIED		APPROVED	
ALL DIMENSIONS ARE MM [INCHES]	TOLERANCES: EXCEPT AS NOTED	CHECKED	SY
INCHES	HOLES	DATE	1/17/14
X ±.10	ØX ±.10	APPROVALS	AV
XX ±.020	ØXX ±.015	DATE	1/17/14
XXX ±.015	ØXXX ±.010		
TITLE		SIZE	X
ADAM TECH		PART NO.	EB21A-XX-C
908 Rahway Avenue, Union, NJ 07083		REV.	A
Phone: 908-687-6000 Fax: 908-687-5710		REF:	S00067C
		SCALE:	NTS
		SHEET	1 OF 1

Rev	AWO #	Description	Date	Appr
-		RELEASED	1/17/14	
A		REVISED SHAPE	6/26/14	AY/SY

APPROVED: _____ DATE: _____ TITLE: _____

X-ON Electronics

Largest Supplier of Electrical and Electronic Components

Click to view similar products for [Pluggable Terminal Blocks](#) category:

Click to view products by [Adam](#) manufacturer:

Other Similar products are found below :

[57.404.7553](#) [57.504.0053.7](#) [57.510.0053](#) [57.910.6153](#) [01.112.1453](#) [CTB932VE/6](#) [MC 1.5/ 6-ST-3.5 GY AU](#) [ET02015000J0G](#) [734-104](#) [734-302](#) [734-304](#) [8-141-P](#) [FKCT 2.5/ 3-ST KMGY](#) [860505](#) [860508](#) [860516](#) [860810](#) [861908](#) [GBPACX-12](#) [93.731.4953.0](#) [PV05-5,08-K](#) [PVP02-5,00](#) [PVP04-3,50](#) [PVS02-5,00](#) [1-1986160-3](#) [H-10](#) [1546228-5](#) [ELFH09150](#) [ELFH16150](#) [ELFP03110](#) [ELFT06250](#) [ELFT07250](#) [ELVF09400](#) [ELVP03100](#) [ELXH03100](#) [ELXH071G0E](#) [ELXP041G0](#) [ELXT046G0](#) [1700101](#) [1700410](#) [1700425](#) [1703176](#) [1703243](#) [1705229](#) [1710175](#) [1714537](#) [1717806](#) [1719600](#) [1728941](#) [1729386](#)