

SPECIFICATION

FOR

NORTH-AMERICAN JUMPER CORDSET (PB FR)

CORD : SJT 18/3 60°C PVC LEAD FREE

CUSTOMER : VPE/FARNELL

CUSTOMER'S PART No. : 2467622

VOLLEX'S SPEC. REF. No. : 152129/2

ISSUE No. : 001

DATE : 03RD FEBRUARY 2015

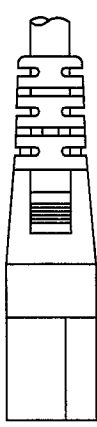
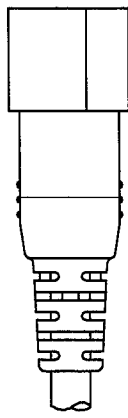
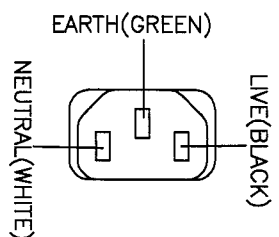
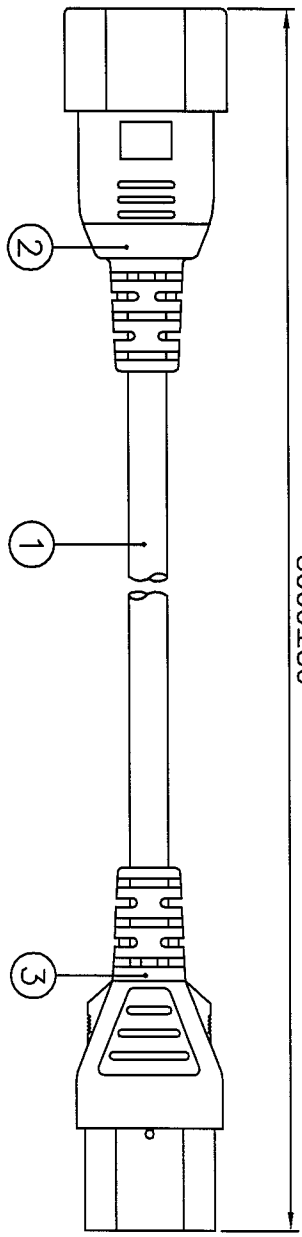
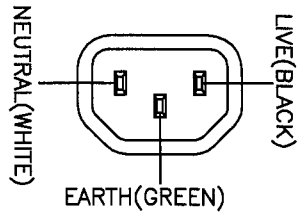
CUSTOMER APPROVED :

APPROVED BY :	
SIGNATURE :	
APPROVED DATE :	
No. OF PAGES :	



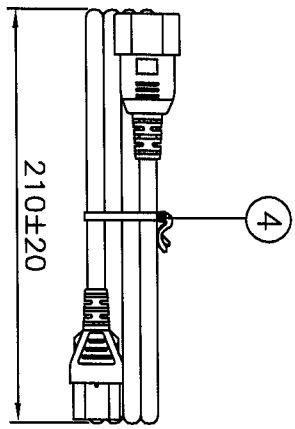
Vollex (Asia) Pte Ltd

35 Tampines St. 92
Singapore 528880
Tel : (65) 6788 7833
Fax : (65) 6788 7822



APPROVED SOURCE FOR CABLE

1. BAO HING(SHENZHEN).
2. TA HSING(SHENZHEN).



NOTE :

1. ALL DIMENSIONS IN mm.
2. THE CORD SHALL COMPLY WITH NMX-J-436-ANCE + CSA C22.2 NO.49 + UL 62.
3. THE MOLDED PLUG CONNECTOR SHALL COMPLY WITH UL817, CSA C22.2 NO.21-95 AND C22.2 NO.182.3-M1987.
4. THE MOLDED CONNECTOR SHALL COMPLY WITH UL817, CSA C22.2 NO. 21-95 AND C22.2 NO.182.3-M1987.
5. THIS PART CAN BE MANUFACTURED AT ANY LOCATION WHICH HAS SAFETY APPROVAL.

4	6" PE TIE BLK	6310056	1
	IP60G NL7976B BLK	4100115	-
3	MOLDED CONNECTOR V1625 (10A 125V)	V1625	1
	IP60G NL7976B BLK	4100115	-
2	MOLDED PLUG VAC14S (10A 125V)	VAC14S-BK	1
1	SJT 18/3 60°C BWG BLK PVC LEAD FREE	1910107	1
S/N	DESCRIPTION	ITEM NUMBER	QTY
TITLE : NORTH-AMERICAN JUMPER CORDSET (PB FR)			
CUSTOMER : VPE/FARNELL			
CUSTOMER PART NUMBER : 2467622			
Reference Number : 143111/2 (HG01-232-15)		ISSUE : 001	
SALES :	QA :	ENGRG :	CHECKED BY :
Date :	Date :	Date :	Date :
		<i>monaly</i>	<i>molly</i>
		<i>04/03/15</i>	<i>03/02/15</i>
Confidential property of Volex Information shall not be disclosed to others, reproduced or used for any other purposes except as authorized in writing by an authorized officer of Volex Inc.			
Volex (Asia) Pte Ltd			
PAGE : 1/1		SCALE : N.T.S.	

Vollex

SPEC. NO. : CS-116UL	DATE : 03/07/07	DATE : 03/07/07	DATE : 03/07/07	DATE : 03/07/07	DATE : 03/07/07
APPROVED BY : <i>[Signature]</i>	CHECKED BY : <i>[Signature]</i>	DRAWN BY : QIAN SM	REVISION : E	PAGE : 1/1	

TITLE : CABLE SPECIFICATION
UL/CSA APPROVED POWER SUPPLY CABLE
SJT 18/3 60°C

ITEM	UNIT	SPEC. VALUE
TEMPERATURE RATING	°C	60
MAXIMUM VOLTAGE	V	300
NO. OF CONDUCTORS	NO.	3
SIZE OF CONDUCTORS	mm ² (AWG)	0.824 (18)
CONDUCTOR DIAMETER OF INDIVIDUAL WIRES	mm (in)	0.125-0.26 (0.0049-0.010)
MIN. AVE. THICKNESS OF INSULATION	mm (mils)	0.76 (30)
MIN. THICKNESS AT ANY POINT OF INSULATION	mm (mils)	0.69 (27)
MIN. AVE. THICKNESS OF JACKET	mm (mils)	0.76 (30)
MIN. THICKNESS AT ANY POINT OF JACKET	mm (mils)	0.61 (24)
OVERALL DIAMETER OF JACKET	mm (in)	7.62-8.51 (0.330-0.335)
DIELECTRIC-STRENGTH TEST- IN THE AIR 20±5°C	-	2000V for 1 min.
SPARK TEST	V/sec	6000/0.18 (For 50 Hz) 6000/0.15 (For 60 Hz)
INSULATION RESISTANCE AT 15°C	-	>=0.76Gohm (2.5 Mohm 1000 ft)

CONDUCTOR	ANNEALED COPPER WIRE	PVC
INSULATION	PVC (BLACK, WHITE & GREEN OR BLUE, BROWN, GREEN&YELLOW OR BLACK, WHITE GREEN&YELLOW)	JACKET

1.2 CONSTRUCTION

△ This specification shall be in accordance with NMX-J-436-ANCE + CSA C22.2 NO.49 + UL 62.

1.1 SCOPE

1. PVC FLEXIBLE CORD

REV.	DESCRIPTION	DATE
D	ADD IN INSULATION COLOR 'BWG' AS SHOWN.	19/05/06
E	CHANGE COMPLIANCE STANDARD & UPDATE VALUES PER PRODUCT SAFETY.	03/07/07

Vollex

SJT 18/3 60.C LF

REFERENCE :

TITLE : CABLE MARKING
(UL/CSA)

DRAWN	HONGYAN	27/11/08	FILE NAME :
CHECK	<i>[Signature]</i>	27/11/08	CABLE MARKING/RE
APPR	<i>[Signature]</i>	28/11/08	LF-BH
SCALE	N.T.S.	REV.	D

(UL) SJT E159216 VW-1 300V 60.C 3X18AWG BAOHING CSA SJT
LL112007 VW-1 300V 60.C 3X0.824mm²(18AWG) LF



BAO HING(SHENZHEN)

CABLE MARKING

REV.	DESCRIPTION	DATE
C	ADD IN NEW CABLE MARKING.	11/07/07
D	REMOVE OLD MARKING AS SHOWN.	27/11/08

Vo/lex

SJT 18/3C 60.C LF

REFERENCE :

TITLE : CABLE MARKING
(UL/CSA)

SCALE	N.T.S.	REV.	C
APPR	<i>[Signature]</i>	28/11/08	3C 60 LF (UL+CSA)
CHECK	<i>[Signature]</i>	27/11/08	TA HSING/SJT 18X
DRAWN	HONGYAN	27/11/08	FILE NAME : CABLE MARKING/

(UL) E84516 SJT 3X18AWG 60.C 300V VW-1 CSA LL110850
 TYPE SJT 3X0.824mm²(18AWG) 60.C 300V FT2 TA HSING LF



TA HSING(SHENZHEN)

CABLE MARKING

REV.	DESCRIPTION	DATE
B	ADD IN NEW CABLE MARKING.	12/06/07
C	REMOVE OLD MARKING AS SHOWN.	27/11/08

Confidential property of Voltek. Information contained herein shall not be disclosed to others. reproduced or used for any other purposes except as authorized in writing by an authorized official of Voltek asia.	
REFERENCE: Voltek (Asia) Pte Ltd	
TITLE : NORTH-AMERICAN PLUG CONNECTOR	DRAWN: HONGYAN 01/04/13 CHECK: [Signature] 01/04/13 APPR: [Signature] 2/11/13 REV: N

NO.	TEST ITEM	DESCRIPTION	ACCEPTANCE CRITERIA
1.	Conductor secureness test	A force of 20lbf (89N) is applied on the connection between the blade and conductor for 1 min.	The connection shall not break.
2.	Strain relief test	A pull of 30lbf (133N) is applied between the cord and fitting for 1 min.	There shall not be any damage to the cord
3.	Insulation resistance test	A D.C 500V is applied between conductors and between current carrying parts and body.	Min. 100 M Ohm
4.	Temperature rise test	A rated current is passed through the cord for 4 hours.	The rise in temperature of the blades shall not exceed 30°C.
5.	Dielectric voltage withstand test	An alternating voltage of 1250V is applied between each conductors for 1 min.	There shall be no arcing, breakdown or flashover.
6.	Accelerated aging test	The sample is placed in an oven at a temperature of 100±1°C for 96 hours.	There shall be no damage.
7.	Flexing test (applicable only to parallel cord)	The sample is secured on an oscillating member with a weight of 284g(HPN cord) or 113g(others) and moved backward and forward through an angle of 180° (90° on each vertical side) for 2500 cycles. Rate of cycle is 10/min. and each cycle is from the left to the right and back again.	The conductors on each core shall not have been completely broken.

3.3. CHARACTERISTICS

The plug connector construction shall comply with our catalogue No: PS25, PS25A, VAC14S, VAC14A, VAC20S, VAC14BS, VAC14LS, VAC20A, VAC14KC & VAC20BS, VAC14LA, VAC20AD, VAC20KC & VAC14KAL, VAC14KAR, VAC20KAR, VAC20KAL.

3.2. CONSTRUCTION

The plug connector shall generally complies to IEC 60320-2-2. No.21-95 and C22.2 No. 182.3-M1987. The specification applies to plug connector in compliance with UL817, CSA C22.2

3.1. SCOPE

REV	DESCRIPTION	DATE
M	ADD IN CATALOGUE NO. VAC14KAL, VAC & VAC20KAL.	02/03/10
N	CHANGE TEST RESULT TO ACCEPTANCE CRITERIA; CHANGE FORMAT AS SHOWN	01/04/13

3. CONNECTOR

Confidential property of Volvox. Information contained herein shall not be disclosed to others. reproduced or used for any other purposes except as authorized in writing by an authorized official of Volvox asia.	
REFERENCE: Volvox (Asia) Pte Ltd	
TITLE : NORTH-AMERICAN PLUG CONNECTOR	DRAWN: HONGYAN 01/04/13 CHECK: <i>[Signature]</i> 01/04/13 APPR: <i>[Signature]</i> 2/14/13 REV: N

NO.	TEST ITEM	DESCRIPTION	ACCEPTANCE CRITERIA
8.	Jacket retention test	Insulation on each conductor is sitted open at approx. 25mm from it's entry. All strands of conductor are to be severed. A pull of 15lbf (67N) is applied for 2 min. between all blades and free end of cord.	There shall not be any detachment of insulation from the plug or baring of conductors.
9.	Security of blades test	A force of 20lbf (89N) is applied for 2 min. at each blade in succession.	After the removal of the weight, the blades shall not be displaced by more than 2.4mm.

REV	DESCRIPTION	DATE
AR	ADD IN CATALOGUE NO. VAC17KS.	25/02/14
AQ	ADD IN CATALOGUE NO. 386AL	18/12/13

3. CONNECTOR

3.1. SCOPE

The specification applies to connector in compliance with UL817, CSA C22.2 No. 21-95 and C22.2 No. 182.3-M1987.
 The connector shall generally complies to IEC 60320-1 with the exception of catalogue no. PS309/P & MS212A.

3.2. CONSTRUCTION

The connector construction shall comply with our catalogue No: VAC5S, VAC5AR, 25ACS, APC5A, APC5M, APC5S, APC5SM, APC5SP, APC7S, APC7Q, APC7M, VAC7S, SZC7S, APC13, APC13S, VSCC13, AVLIC13, VAC7A, VAC7PS, VIC13A, M1625, V1625, V1625LA, V1625A, V1625BA, V1625BS, VAC15S, VAC15BS, VAC17S, VAC17BS, PIC17S, VAC19, VAC19A, VSC19, DLC5A3, DLC5SA3, PS625, PS625A, MS225, PS309P, MS212, MS212A, APC13F, APC13G, DLCTU2, AP7M16, 386A, VAC17A, VAC13KS, DLC5U3, VCC13, VAC19KS, DLCTE2, DLCSB3, HPC13A, V1625AT, CN-4001, SOC7S, APC5SF, VCC5S, VCCT5, APC7H, APC13H, V1625H, VAC19H, APC7K, APC13FH, APC13HC, MFC7S, VAC15A, 386AL & VAC17KS.

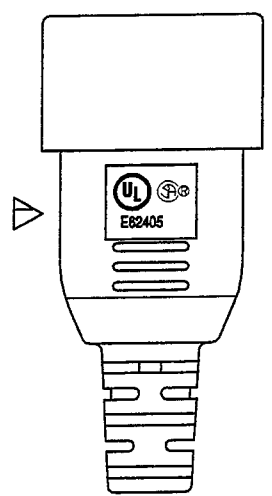
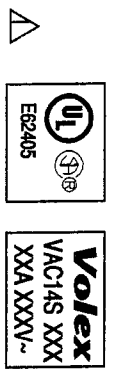
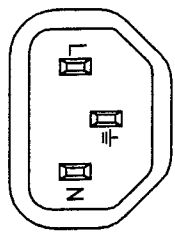
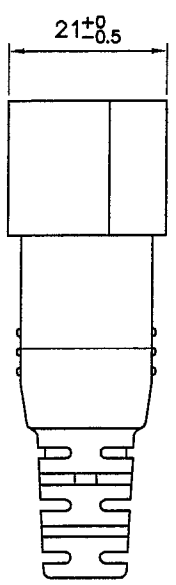
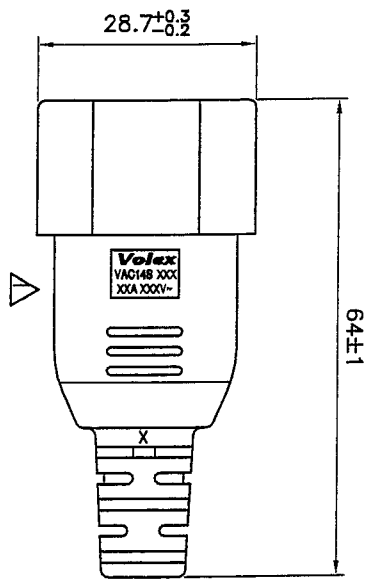
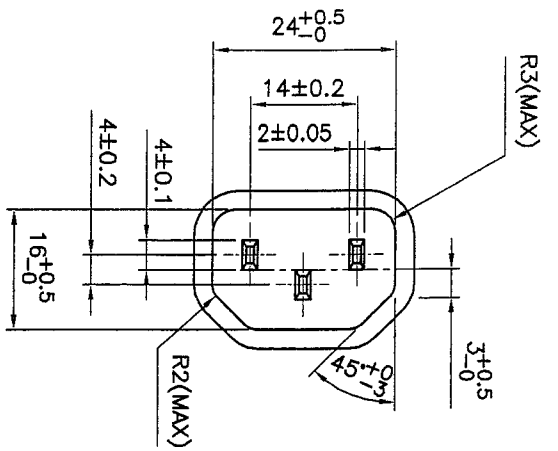
3.3. CHARACTERISTICS

NO.	TEST ITEM	DESCRIPTION	ACCEPTANCE CRITERIA
1.	Conductor secureness test	A force of 20lbf (89N) is applied on the connection between the contact and conductor for 1 min.	The connection shall not break.
2.	Strain relief test	A pull of 30lbf (133N) is applied between the cord and fitting for 1 min.	There shall not be any damage to the cord and fitting.
3.	Insulation resistance test	A D.C 500V is applied between conductors and between current carrying parts and body.	Min. 100 M Ohm
4.	Temperature rise test	A rated current is passed through the cord for 4 hours.	The rise in temperature of the contacts shall not exceed 30°C.
5.	Dielectric voltage withstand test	An alternating voltage of 1250V is applied between each conductors for 1 min.	There shall be no arching breakdown or flashover
6.	Accelerated aging test	The sample is placed in an oven at a temperature of 100±1°C for 96 hours.	There shall be no damage.
7.	Flexing test (applicable only to parallel cord)	The sample is secured on an oscillating member with a weight of 284g(HPN cord) or 113g(others) and moved backward and forward through an angle of 180° (90° on each vertical side) for 2500 cycles. Rate of cycle is 10/min. and each cycle is from the left to the right and back again.	The conductors on each core shall not have been completely broken.

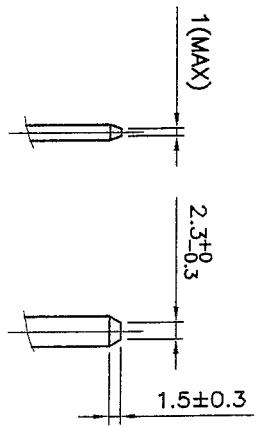
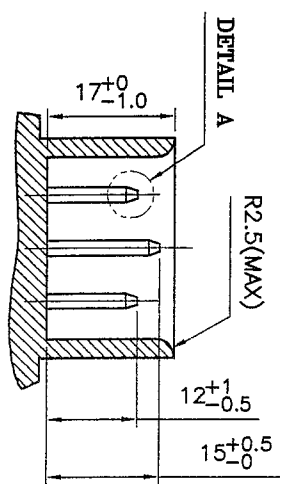
DRAWN:	CARRY HOU	25/02/14
CHECK:	hmm	25/02/14
APPR:	hmm	25/02/14
REV:		
REFERENCE:		
TITLE : NORTH-AMERICAN CONNECTOR		
Volox (Asia) Pte Ltd		
Confidential property of Volox Information contained herein shall not be disclosed to others reproduced or used for any other purposes except as authorized in writing by an authorized official of volox asia.		

Confidential property of Voltek. Information contained herein shall not be disclosed to others. reproduced or used for any other purposes except as authorized in writing by an authorized official of Voltek asia.		REFERENCE:	
Voltek (Asia) Pte Ltd		REV:	AR
TITLE : NORTH-AMERICAN CONNECTOR		APPR:	<i>[Signature]</i>
		CHECK:	<i>[Signature]</i>
		DRAWN:	CARRY HOU
			25/02/14

NO.	TEST ITEM	DESCRIPTION	ACCEPTANCE CRITERIA
8.	Jacket retention test	Insulation on each conductor is sitted open at approx. 25mm from cord entry. All strands of conductor are to be severed. A pull of 15lbf (67N) is applied for 2 min. between fitting and free end of cord.	There shall not be any detachment of insulation from the connector.



REV.	DESCRIPTION	DATE
H	CHANGE MARKING PER ECN016-10.	23/02/11
	CHANGE MARKING PER ECN005-14.	
1	UPDATE NOTE 3.	21/11/14



DETAIL A

- NOTES:**
- 1.) ALL DIMENSIONS IN mm.
 - 2.) X - CAVITY NO. (OPTIONAL)
 - 3.) XXX - MANUFACTURING LOCATION.
 - 4.) XXA XXXV~ - RATING. (REFER TO TABLE)

MARKING DETAILS:

TABLE:

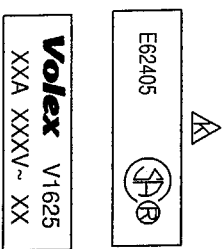
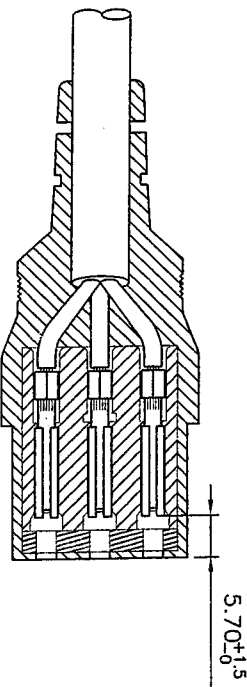
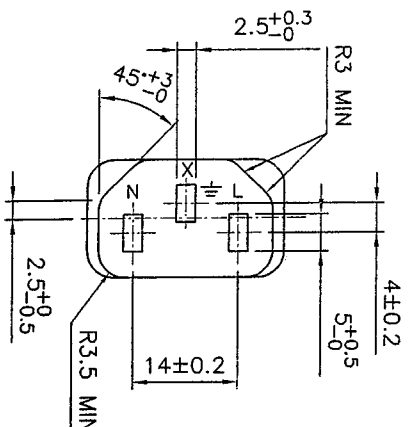
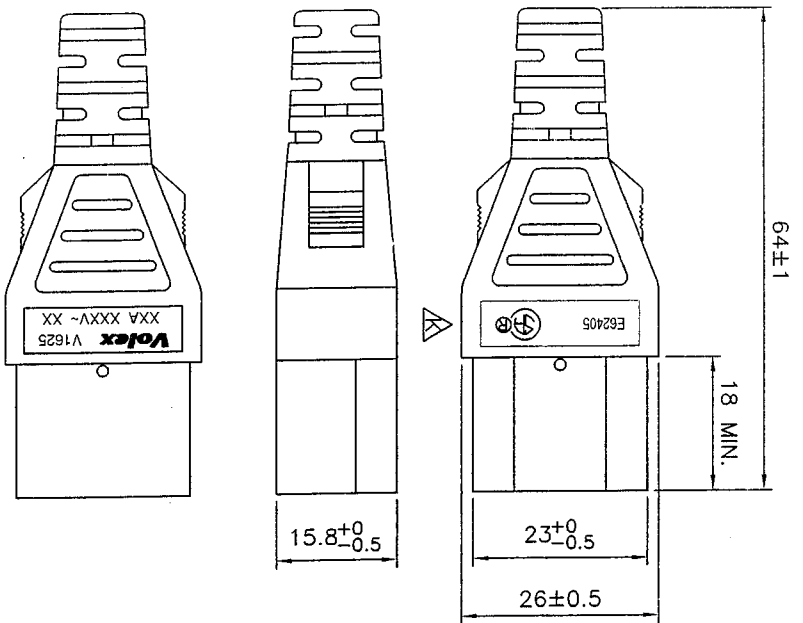
CURRENT (XXA)	VOLTAGE (XXXV~)
10A	125V~
✓	250V~

SM	HENG GANG (CHINA)	X	DRAWN	HONGYAN	21/11/14	FILE NAME :	TITLE :	
SM/SMI	ZHONGSHAN (CHINA)	X	CHECK	<i>honyan</i>	21/11/14	M-COMM/VULKCSV/GENERAL/VAC14S-	MOLDED PLUG CONNECTOR	
VH	HANOI (VIETNAM)	X	APPR	<i>honyan</i>	21/11/14	GENERAL/VAC14S-VULKCSV	VAC14S	
B	BATAM (INDONESIA)	X	REV.	1		N.T.S.		
VC	CHENNAI (INDIA)	X	REFERENCE :					
MANUFACTURE LOCATION MARK (' X ' IS APPLICABLE ONLY)			NORTH-AMERICAN APPROVAL					

Volex (Asia) Pte Ltd

Confidential property of Volex.
Information contained herein shall not be disclosed to others, reproduced or used for any other purposes except as authorized in writing by an authorized official of Volex Asia.

REV.	DESCRIPTION	DATE
J	ADD IN MANU. LOCATION MARK 'SMI'.	13/07/10
K	CHANGE MARKING PER ECN016-10.	22/02/11



MARKING DETAILS

TABLE :

VOLTAGE (XXXV~)	250V~	125V~	✓
CURRENT (XXXA)	10A	✓	13A

- NOTES :
- 1.) ALL DIMENSIONS IN mm.
 - 2.) X - CAVITY NO.(OPTIONAL)
 - 3.) XXX XXXV~ - RATING (REFER TO TABLE).
 - 4.) XX - MANUFACTURING LOCATION.

SM	HENG GANG (CHINA)	X	DRWIN	HONGYAN	22/02/11	FILE NAME :	TITLE :
SM1/SMI	ZHONGSHAN (CHINA)	X	CHECK	<i>hongyan</i>	24/02/11	A-CONNECTOR\UL&CSA\GENERAL	MOLDED CONNECTOR
VH	HANOI (VIETNAM)	X	APPR	<i>Volix</i>	24/24	V1625-UL-CSA	V1625
B	BATAM (INDONESIA)	X	REV.	K		N.T.S.	
VC	CHENNAI (INDIA)	X	REFERENCE :				
MANUFACTURE LOCATION MARK ('X' IS APPLICABLE ONLY)			NORTH-AMERICAN APPROVAL				Volix (Asia) Pte Ltd

Confidential property of Volix.
Information contained herein shall not be disclosed to others, reproduced or used for any other purposes except as authorized in writing by an authorized official of volix.asia.

X-ON Electronics

Largest Supplier of Electrical and Electronic Components

Click to view similar products for [volex manufacturer](#):

Other Similar products are found below :

[6491](#) [17419](#) [VQSFPQ30YP100](#) [17751-BLK-C3](#) [17519-BLK-B1](#) [17537-BLK-B1](#) [17537 10 B1](#) [2145H 10 H50](#) [17519 10 B1](#) [VSFP30YP050](#)
[8490-10](#) [17205-10-B1](#) [17621 10 B1](#) [2111H](#) [17660 10 C3](#) [17660-BLK-C3](#) [17251](#) [17612-BLK-B1](#) [17962-BLK-C3](#) [17268A 10 B1](#) [X-](#)
[150708A](#) [17962 10 C3](#) [9415-10-15](#) [17447-10-S2](#) [VL-0836-14-300](#) [2116H 10 C3](#) [17504A 10 B1](#) [17501-BLK-C3](#) [17970 8](#) [17238 10 B1](#)
[17238-BLK-B1](#) [17746 10 B1](#) [17600 10 C3](#) [40230 8](#) [17625 10 B1](#) [17615-10-C3](#) [17968 8](#) [17515](#) [17425-10-S2](#) [17425-BLK-S2](#) [17020A 8 S2](#)
[17508A 10 B1](#) [6482](#) [17523](#) [6483](#) [6479](#) [17635 10 S2](#) [17635-BLK-S2](#) [17510A 8 B1](#) [17510A-GRY-B1](#)