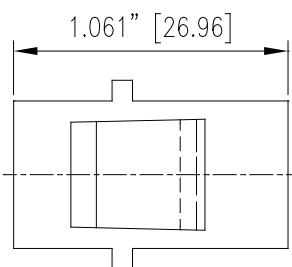


0.320" [8.12] 0.061" [1.55]

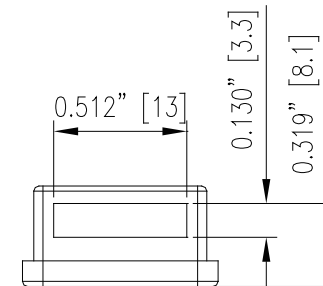
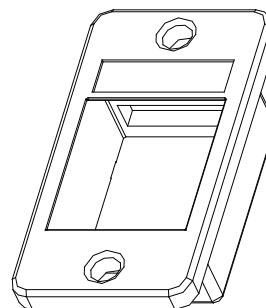
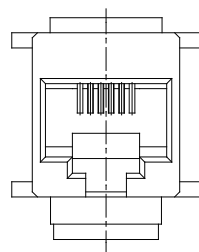
0.635" [16.13]

0.742" [18.84]
0.681" [17.29]

0.740" [18.8] Ref.



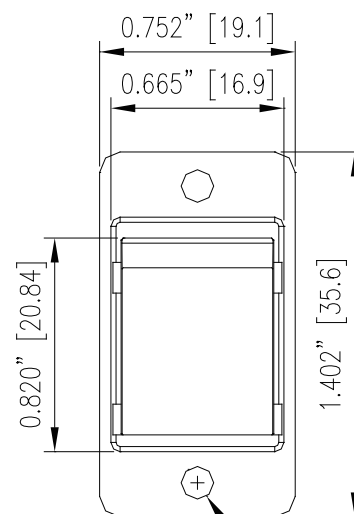
1.061" [26.96]



0.512" [13]

0.130" [3.3]

0.319" [8.1]



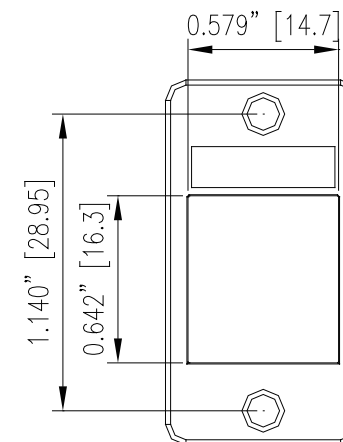
0.820" [20.84]

0.752" [19.1]
0.665" [16.9]

1.402" [35.6]

+

Ø0.125" [Ø3.18]



1.140" [28.95]

0.642" [16.3]

0.579" [14.7]

MATERIAL
Bezel: Zinc alloy, plated with nickel

Coupler
Housing: High-impact engineering thermoplastic, UL 94 V-0 rated
Jack Contacts: Phosphor bronze, Ø=0.35 mm (0.014 in), plated with hard gold over nickel underplate o contact area
RoHS compliant

DRAWN BY Autumn Lee					Another quality product from BLACK BOX 724-746-9300 • www.blackbox.com				
APPROVED BY Jerry Su					TITLE Panel Mount Modular Coupler Un-Shielded, RJ11 (4 Wire) - Black				
DIMENSIONS ARE [IN (MM)]					PARTS NO. FMT1080				
TOLERANCES:					DATE 2011.04.27				
~0.8"	~2"	~6"	6"~	ANGLE	SCALE X			SHEET 1/1	
±0.007"	±0.015"	±0.02"	±0.06"	2°	REV. 1				
3rd Angle Projection									

X-ON Electronics

Largest Supplier of Electrical and Electronic Components

Click to view similar products for [Modular Connectors](#) / [Ethernet Connectors](#) category:

Click to view products by [Black Box](#) manufacturer:

Other Similar products are found below :

[RJE231881317T](#) [MP1010RX-1000](#) [MP44RX-1000](#) [GAX-3-66](#) [GAX-8-62](#) [93606-0253](#) [GD-A-44](#) [GDCX-PA-66-50](#) [GDCX-PN-64](#) [GDCX-PN-66](#) [GDCX-PN-66-50](#) [GDLX-A-66](#) [GDLX-A-88](#) [GDLX-N-66](#) [GDLX-S-88K](#) [GDTX-S-88-50](#) [GDX-PA-1010](#) [GLX-N-1010M-BLK](#) [GLX-N-44M](#) [GLX-S-88M-BLK](#) [GMX-N-1010](#) [GMX-S-1010](#) [GMX-S-66](#) [GMX-SMT2-N-1010](#) [GMX-SMT2-N-64-50](#) [GMX-SMT2-S6-88](#) [GMX-SMT4-N-88](#) [GPX-2-64](#) [GRT1-BT1-5](#) [GSGX-N-2-88](#) [GSX-NS2-88-3.05](#) [GSX-NS2-88-3.05-50](#) [GSX-NS-88-3.05-30](#) [GSX-NS-88-3.05-50](#) [GSX-NS-88-3.68](#) [1-1775629-2](#) [GWLX-S-88-GR](#) [GWLX-S9-88-YG](#) [1300500326](#) [1300500227](#) [1300530003](#) [1300570002](#) [1324640-4](#) [RJ11FTVC2G](#) [RJ11FTVC2N](#) [RJFTVX2SA1G](#) [132764-001](#) [1400000](#) [1413176](#) [1413235](#)