

1

2

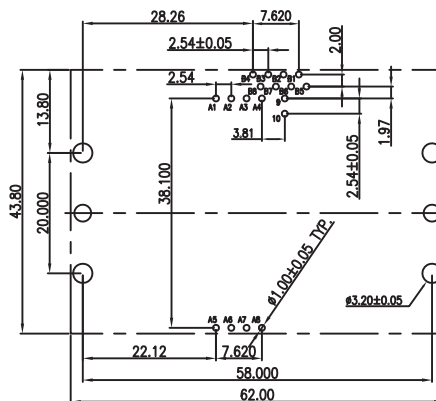
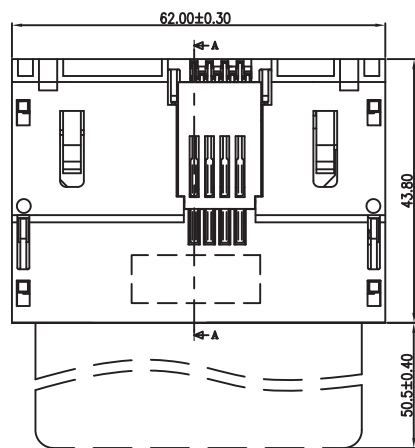
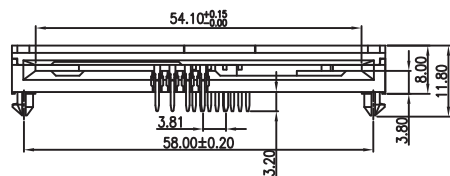
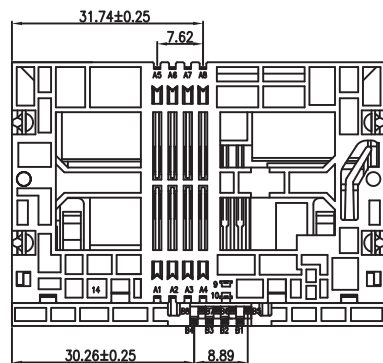
3

4

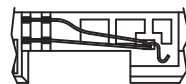
5



A-A



RECOMMENDED PCB LAYOUT



CLOSE

SWITCH CONTACT TYPE

TECHNICAL CHARACTERISTICS

MATERIAL

INSULATOR: PBT
FLAMABILITY RATING: UL94-V0
COLOR: BLACK
CONTACT MATERIAL: COPPER ALLOY
CONTACT TYPE: STAMPED
CONTACT PLATING: SELECTIVE GOLD
LATCH: STAINLESS STEEL
QUALITY CLASS: 20000 MATING CYCLES

ENVIRONMENTAL

OPERATING TEMPERATURE: -40 UP TO 85°C
COMPLIANCE: LEAD FREE AND ROHS

ELECTRICAL

CURRENT RATING: 1A
WORKING VOLTAGE: 50VDC
INSULATOR RESISTANCE: >1000 MOHM
DIELECTRIC WITHSTANDING VOLTAGE:
750VAC FOR DATA CONTACTS
250VAC FOR SWITCH CONTACTS
CONTACT RESISTANCE: 100 mOHM MAX

SOLDERING

JEDEC LEAD FREE WAVE SOLDERING PROCESS

PACKAGING

TRAY

PIN ASSIGNMENT:

Contact No.	Assignment	Description
A1 & B1	Vcc	Power Voltage
A2 & B2	RST	Reset Signal
A3 & B3	CLK	Clocking Signal
A4 & B4	***	Reserved for feature use
9	CD1	Switch contact 1 of card detector
10	CD2	Switch contact 2 of card detector
A5 & B5	GND	Power and Signal Ground
A6 & B6	Vpp	Programming Voltage
A7 & B7	I/O	Serial Data input/output
A8 & B8	***	Reserved for feature use

RoHS Compliant

PROJECTION:



GENERAL TOLERANCE

.X = +/- 0.2

.XX = +/- 0.15



APPROVAL: NPr

UNIT: MM

DESCRIPTION: WR-CRD Smart Card_Dual Way Header

SIZE

05-AUG-15

CONTACT No.

AK

SCALE:

WERI PART NO: 693 030 021 610

A4

21-JAN-13

REF MOD P2

QL

SHEET: 1/3

08-JUL-12

PDF

GG

DRAW: VICKY

DATE

FILE

BY

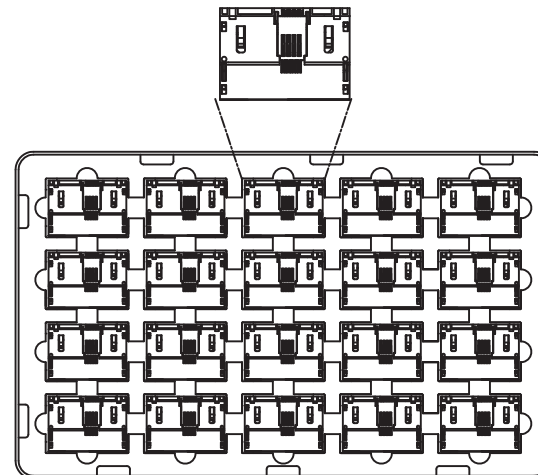
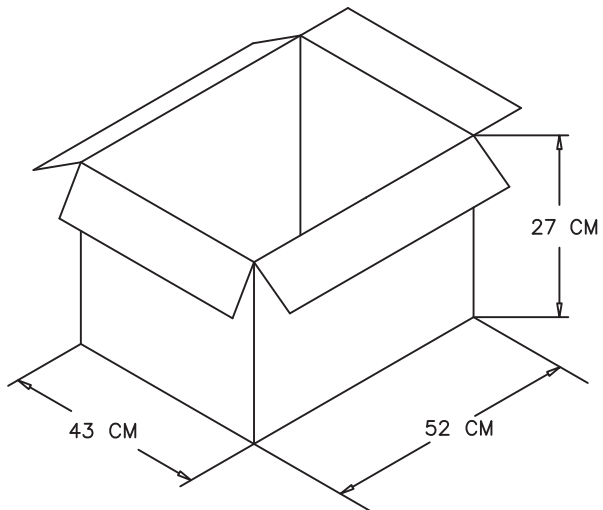
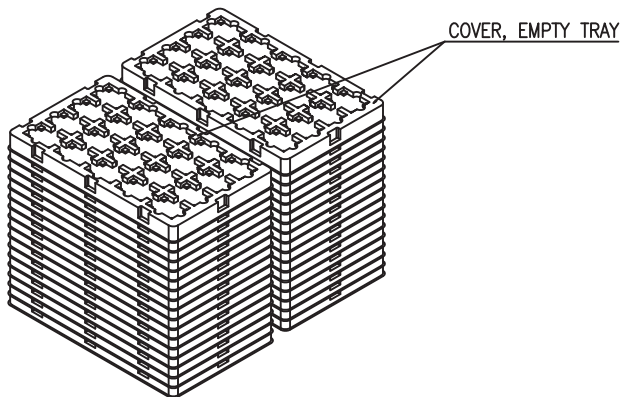
1

2

3

4

5



TY PART NO.	524XX-XXXXXX0X
DESCRIPTION	SMART CARD
PCS/TRAY	20
TRAY/BOX	36+2
TOTAL (PCS)	720
CTN SIZE	52X43X27 CM
TRAY MATERIAL	PS, WHITE
NW	9.95 KG
GW	13 KG

RoHS Compliant

PROJECTION:



GENERAL TOLERANCE

.X = +/- 0.2
.XX = +/- 0.15



APPROVAL: NPr

UNIT: MM

SCALE:

SHEET: 2/3

DRAW: VICKY

DESCRIPTION: WR-CRD Smart Card_Dual Way Header

WERI PART NO: 693 030 021 610

SIZE

A4

REV	DATE	FILE	BY
-----	------	------	----

1

2

3

4

5

Cautions and Warnings:

This electronic component is designed and developed with the intention for use in general electronics equipments.

Before incorporating the components into any equipments in the field such as aerospace, aviation, nuclear control, submarine, transportation, (automotive control, train control, ship control), transportation signal, disaster prevention, medical, public information network etc. where higher safety and reliability are especially required or if there is possibility of direct damage or injury to human body, Würth Elektronik must be asked for a written approval.

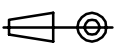

In addition, even electronic component in general electronic equipments, when used in electrical circuits that require high safety, reliability functions or performance, the sufficient reliability evaluation-check for the safety must be performed before by the user before usage.

A

B

C

RoHS Compliant

G				PROJECTION: 	GENERAL TOLERANCE .X = +/- 0.2 .XX = +/- 0.15		
F							
E							
D							
C				APPROVAL: JC	UNIT: MM	DESCRIPTION: DISCLAIMER	SIZE A4
B					SCALE:		
A	10-SEP-14	PDF	QL		SHEET: 3/3	WERI PART NO: DISCLAIMER	
REV	DATE	FILE	BY		DRAW: QL		

D

X-ON Electronics

Largest Supplier of Electrical and Electronic Components

Click to view similar products for [Memory Card Connectors](#) category:

Click to view products by [Wurth](#) manufacturer:

Other Similar products are found below :

[M10-597810-355](#) [M21-033321-005](#) [6426-201-21343](#) [69.920.0553.0](#) [MCR60A-98D-2.54DSA\(70\)](#) [FCN-568P068-G/07-4V](#) [809180410000000](#)
[95622-003LF](#) [AD2-262F-38900-232](#) [DM3AT-SF-PEJM5\(41\)](#) [EN2997S72039F6](#) [N7E50-7516PG-20-WF](#) [IC11S-BUR-PNEJL\(71\)](#) [NX30TA-](#)
[15PAA\(50\)](#) [21920-5](#) [2041353-2](#) [FUA006-3220-0](#) [308-DS1P0811-192](#) [33CFAE-DN](#) [MI21A-50PD-SF-EJR\(91\)](#) [502431-1011](#) [5175651-2](#) [10-](#)
[247926-166](#) [10-629549-258N](#) [11327-001](#) [11327-002](#) [EN2997S02039B8](#) [EN2997S61212BN](#) [EN2997S72039B6](#) [EN2997SE02039B8](#)
[EN2997SE61212BN](#) [EN2997SE72039B6](#) [603020000](#) [617230001](#) [71-252718-32P](#) [NX1-32T-KT3K\(05\)](#) [95622-003LF](#) [91-570124-15P](#)
[192900-0488](#) [N7E50-U516RB-50-SIN0005](#) [DM1AA-SF-PEJ](#) [95079-00CALF](#) [84648-056HLF](#) [68-580163-21S](#) [33DVIR-29S12R](#)
[SF58S006VBBR2000](#) [93-570123-08P](#) [GMC020080HR](#) [125A-78C00](#) [1010040575#](#)