

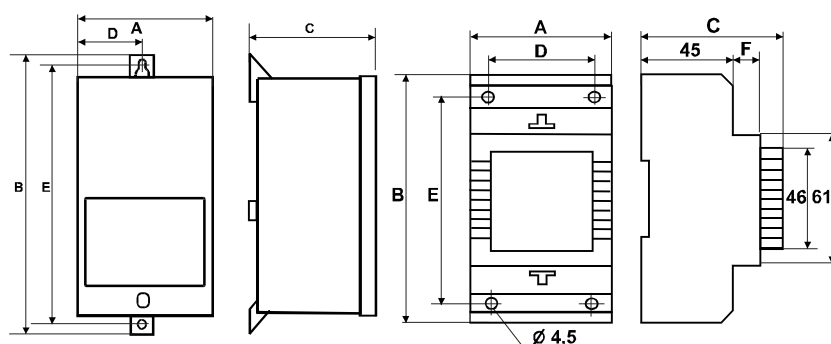
AC/DC ENCASED TRANSFORMERS

P...

Encased power supplies with direct current output designed for assembly on T-35 bus (PS group) or in IP54 protection grade casings (PV group). Transformers from PSLF and PVLF groups additionally have build in current filtering circuitry. Elegant casings featuring proper mounting handles facilitate convenient and quick assembly. PSLR group are impulse power supplies with output voltage stabilisers. The transformers are made with Class II insulation and protection grade IP33 (PS group) or IP54 (PV group), maximum ambient temperature 40 °C, thermal class of insulation B (130 °C). Manufactured in compliance with EN 61558-2-6.



Rated power : 18 - 36 W
 Rated voltage PRI : ~230 V 50/60 Hz
 Rated voltage SEC : DC 5 - 24 V



PVL, PVLF

PSL, PSLF, PSLR



Type	Power [W]	Current [A] for Usek			Dimensions [mm]					Mounting	Weight [kg]
		5V	12V	24V	A	B	C	D	E		
PSL 30	20-22	-	1,7	0,9	72	120	63	52	98	M4	1,00
PSL 50	36	-		1,5	72	120	72	52	98	M4	1,10
PSLF 30	18	-	1,5	0,7	72	120	63	52	98	M4	1,10
PSLF 50	28	-		1,1	72	120	72	52	98	M4	1,20
PSLR 30	15-31	3,0	2,0	1,3	72	120	63	52	98	M4	0,30
PVL 30	20-22	-	1,7	0,9	77	138	71	38,5	128	M4	1,00
PVL 50	36	-		1,5	77	138	71	38,5	128	M4	1,20
PVLF 30	18	-	1,5	0,7	77	138	71	38,5	128	M4	1,10
PVLF 50	28	-		1,1	77	138	71	38,5	128	M4	1,30

Exemplary models of transformers

(The list of the products is available in chapter 12 of the catalogue "Order information")

Type	PSL 30	PSL 50	PSLF 30	PSLF 50	PSLR 30	PVL 30	PVL 50	PVLF 30	PVLF 50
PRI/SEC	Art. Nr	Art. Nr	Art. Nr	Art. Nr	Art. Nr	Art. Nr	Art. Nr	Art. Nr	Art. Nr
230V/12V	18312-9999		18512-9999		18912-0001	18312-9998		18512-9998	
230V/24V	18324-9998	18324-9999	18524-9997	18524-9995	18924-0001	18324-9997	18324-9996	18524-9998	18524-9996

Because of the constant development of product construction and changes concerning technical requirements, Breve-Tufvassons Company reserves the right to change the parameters mentioned above.

X-ON Electronics

Largest Supplier of Electrical and Electronic Components

Click to view similar products for [DIN Rail Power Supplies](#) category:

Click to view products by [Breve Tufvassons](#) manufacturer:

Other Similar products are found below :

[PS-3015](#) [PSP-480S48](#) [PSR-SD25](#) [PS-S6024](#) [DR-45-24](#) [DRP048V120W1BA](#) [DVP01PU-S](#) [DVP06AD-S](#) [DVP06XA-S](#) [DVDPNET-SL](#)
[DVPDT01-S](#) [DVPPS01](#) [DVPPS02](#) [KHNA30F-5](#) [KHNA60F-24](#) [S8JX-G01524](#) [S8JX-G01548C](#) [S8JX-G03512D](#) [S8VS-09024B-F](#) [PS-6012](#)
[PS9Z-5R1G](#) [PS-C24024](#) [PSC-9648](#) [5607189](#) [KHNA30F-24](#) [KHNA480F-24](#) [KHNA90F-12](#) [KHNA90F-24](#) [DVP08ST11N](#) [DVPACAB530](#)
[DVPCOPM-SL](#) [DVPEN01-SL](#) [DVPPF01-S](#) [S8JX-G10012](#) [S8JX-G15024](#) [CBI1210A](#) [SS14011524](#) [S8JX-G01505C](#) [S8TS-06024-E1](#) [PS-](#)
[S2012](#) [PSW-12024](#) [PS-UPS40](#) [PSC-6024](#) [S8VS-48024A-F](#) [PSD-A60W12](#) [96PS-A120WDIN](#) [PSD-A60W48](#) [S8JX-G03515CD](#) [PSD-](#)
[A40W12](#) [PSD-A40W24](#)