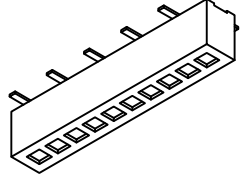
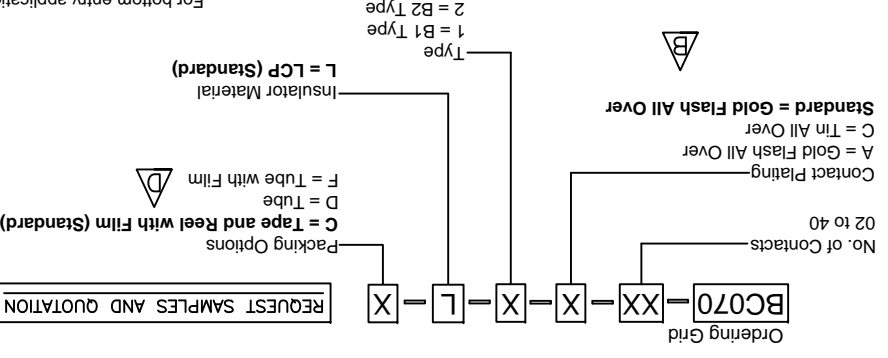


B1 TYPE



B2 TYPE



Ordering Grid
BC070-XX-X-L-X

REQUEST SAMPLES AND QUOTATION

SPECIFICATIONS 规格:
 CURRENT RATING 电流额定值: 1 AMP
 INSULATOR RESISTANCE 绝缘电阻值: 1000 MEGOHMS MIN.
 DIELECTRIC WITHSTANDING 耐电压: AC 300 V
 CONTACT RESISTANCE 接触电阻值: 40mΩ Max.
 OPERATING TEMPERATURE 工作温度: -40°C TO +105°C
 CONTACT MATERIAL 接触体物料: PHOSPHOR BRONZE
 INSULATOR MATERIAL 绝缘体物料: POLYESTER 聚酯, LCP, UL 94-V0
 STANDARD PROCESS 可焊性:
 SOLDERING PROCESS 可焊性:
 LCP (STANDARD 标准物料) -
 IR REFLOW 回流焊: 260°C for 10 sec.
 WAVE 波峰焊: 250°C for 5-10 sec
 MANUAL SOLDER 人工焊接: 350°C for 3-5 sec
 MATES WITH 配套之母座 (SUBJECT TO PIN LENGTH 在端子长度适合的条件下): BC020 BC025 BC030 BC032 BC034

DATE	20/05/08	REV	A
DETAIL	DRAWING RELEASE	AMENDMENT TO PLATING OPTIONS AND SPEC	SA
By	ASE	PCN	AJO
		PACKING OPTIONS	AJO
		D	25/01/13
		C	25/07/12
		B	21/12/09

Tolerances	Dimensions in mm (Except as noted)
X ± 0.30	X: ± 5°
X XX ± 0.15	X: ± 2°
XXX ± 0.10	X: ± 1°



Part Number: BC070
 Date: 20 MAY 08
 Description: 1.00mm PITCH SOCKET, SINGLE ROW, SURFACE MOUNT, VERTICAL, DUAL ENTRY
 THIS DRAWING IS CONFIDENTIAL AND MUST NOT BE COPIED OR DISCLOSED WITHOUT WRITTEN CONSENT

CONTACTS		DIMENSIONS	
A	B	A	B
2	1.00	2.50	2.50
3	2.00	3.50	3.50
4	3.00	4.50	4.50
5	4.00	5.50	5.50
6	5.00	6.50	6.50
7	6.00	7.50	7.50
8	7.00	8.50	8.50
9	8.00	9.50	9.50
10	9.00	10.50	10.50
11	10.00	11.50	11.50
12	11.00	12.50	12.50
13	12.00	13.50	13.50
14	13.00	14.50	14.50
15	14.00	15.50	15.50
16	15.00	16.50	16.50
17	16.00	17.50	17.50
18	17.00	18.50	18.50
19	18.00	19.50	19.50
20	19.00	20.50	20.50
21	20.00	21.50	21.50
22	21.00	22.50	22.50
23	22.00	23.50	23.50
24	23.00	24.50	24.50
25	24.00	25.50	25.50
26	25.00	26.50	26.50
27	26.00	27.50	27.50
28	27.00	28.50	28.50
29	28.00	29.50	29.50
30	29.00	30.50	30.50
31	30.00	31.50	31.50
32	31.00	32.50	32.50
33	32.00	33.50	33.50
34	33.00	34.50	34.50
35	34.00	35.50	35.50
36	35.00	36.50	36.50
37	36.00	37.50	37.50
38	37.00	38.50	38.50
39	38.00	39.50	39.50
40	39.00	40.50	40.50

For bottom entry applications, stringent soldering control & pin alignment are required as lead to pad misalignment could cause incorrect mating.

Scale	NTS
D	Revision
Material	See Note
Drawn by	ASE
E & OE	Sheet No.
www.globalconnectortechnology.com	



X-ON Electronics

Largest Supplier of Electrical and Electronic Components

Click to view similar products for [FFC & FPC Connectors](#) category:

Click to view products by [GCT manufacturer](#):

Other Similar products are found below :

[HFW11R-1STE1H1LF](#) [FH29B-100S-0.2SHW\(99\)](#) [FA5S008HP1](#) [FH29B-120S-0.2SHW\(99\)](#) [FH29B-80S-0.2SHW\(99\)](#) [FHS-16](#) [FPH-2022G](#)
[52610-1075](#) [52610-1275](#) [52610-1934](#) [XF3M\(1\)-1415-1B-R100](#) [501864-3091-TR225](#) [0525594033](#) [086210010340800](#) [086222026001800](#)
[52271-2869-CUT-TAPE](#) [62674-201121DLF](#) [62684-36210E9ALF](#) [52610-1675](#) [52746-1671-TR250](#) [10051922-2810EHLF](#) [6-520415-9](#)
[BD021-09A-A1-0350-0200-0550-LD](#) [SFV6R-1STE9HLF](#) [XF3M-2915-1B-R100](#) [1658549-1](#) [62674-221121ALF](#) [46214008010800](#)
[046298003000883](#) [151660622](#) [842-816-2630-035](#) [AYF530665TA](#) [AYF351525](#) [046296011930846+](#) [AYF352325A](#) [046254020000800+](#)
[FH19C-13S-0.5SH\(99\)](#) [FH39J-51S-0.3SHW\(99\)](#) [AYF355125A](#) [AYF530365TA](#) [FH29B-44S-0.2SHW\(99\)](#) [SFW5R-2STAE9LF](#) [AYF351125A](#)
[AYF350725A](#) [62684-502100AHLF](#) [FH39-61S-0.3SHW\(99\)](#) [AYF414035A](#) [10064555-172520HLF](#) [AYF212335A](#) [504754-2500](#)