

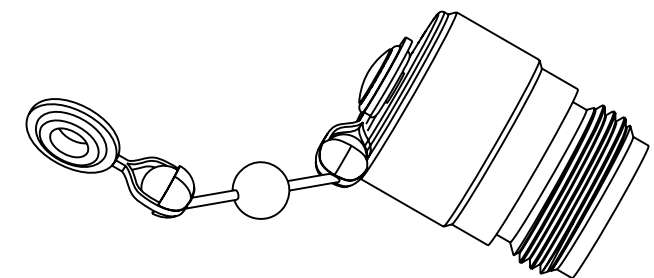
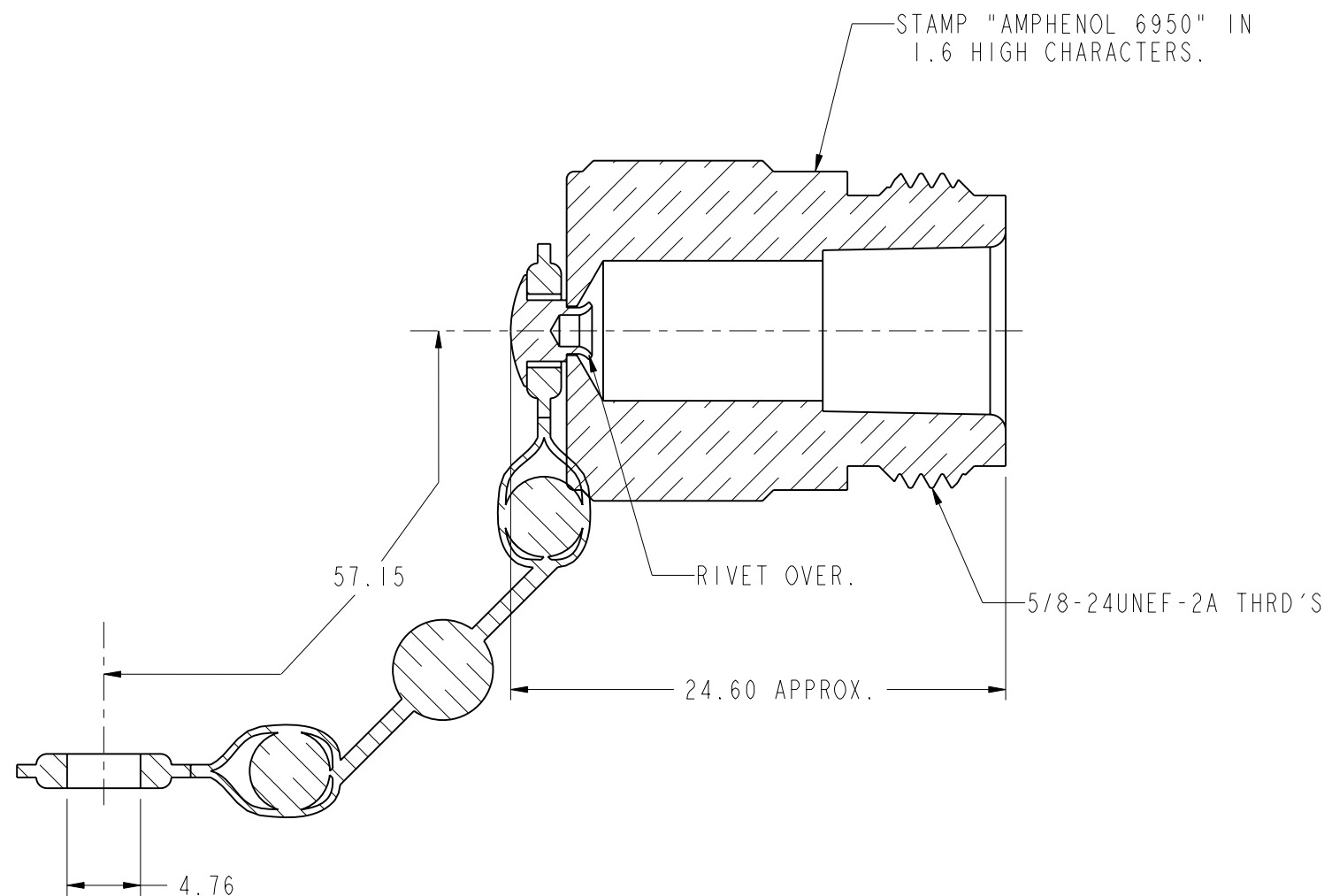
NOTES:

- 1. MATERIALS AND FINISHES:
- BODY -- BRASS, ALBALOY PLATING
- SHOULDER RIVET -- BRASS, NICKEL PLATING
- CHAIN ASSEMBLY -- BRASS, NICKEL PLATING

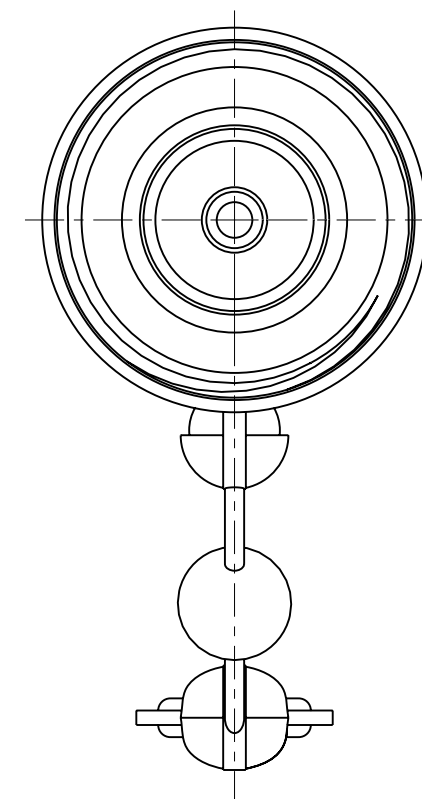
THIRD ANGLE PROJ.

REVISIONS

REV	DESCRIPTION	DATE	ECO	APPR
H	REVISED PHT	1-16-75		TTTB
J	ADDED NOTES 5 # 6	9-25-92		DR
K	RELEASE IN ARFA.	03-Apr-09		SCOTT



SCALE 1.500



**CUSTOMER OUTLINE DRAWING**

ALL OTHER SHEETS ARE FOR INTERNAL USE ONLY

<p>UNLESS OTHERWISE SPECIFIED, DIMENSIONS ARE IN METRIC AND TOLERANCES ARE:</p> <p>0.5 - 6mm    6 - 30mm    30 - 120mm    ANGLES</p> <p>±0.1mm    ±0.2mm    ±0.3mm    ±1°</p> <p>NOTICE - These drawings, specifications, or other data (1) are, and remain the property of Amphenol corp. (2) must be returned upon request; and (3) are confidential and not to be disclosed to any person other than those to whom they are given by Amphenol Corp. the furnishing of these drawings, specifications, or other data by Amphenol Corp., or to any other person to anyone for any purpose is not to be regarded by implication or otherwise in any manner licensing, granting rights to permitting such holder or any other sperson to manufacture, use or sell any product, process or design, patented or otherwise, that may in any way be related to or disclosed by said drawings, specifications, or other data.</p>	MATERIAL	DRAWN J.R.B	DATE 5-20-64	TITLE TYPE "N" PLUG DUST CAP			<p>Amphenol RF</p> <p>Danbury CT USA, Tainan, Taiwan, Shenzhen, China</p> <p>www.amphenolrf.com</p>	
	REFERENCE	ENGINEER TTTB	DATE 5-21-64					
	FINISH	APPROVED WMS	DATE 5-22-64	SCALE: 3.0:1.0	SHEET 1 OF 1	ITEM NO. 6950		
		CAD FILE I:\N\6950		DWG SIZE B	CODE ID 74868	REV K	PART NO. 6950	

## X-ON Electronics

Largest Supplier of Electrical and Electronic Components

*Click to view similar products for [RF Connector Accessories](#) category:*

*Click to view products by [Bahco](#) manufacturer:*

Other Similar products are found below :

[R280461210](#) [89674-0712](#) [F702RX24](#) [FERRULE-174](#) [9-225381-1](#) [9-228783-0](#) [R125802000](#) [R125812001](#) [R141805000](#) [R141842000](#)  
[R141862000W](#) [R161853000W](#) [R161862000](#) [R161862000W](#) [R176811000](#) [R280752000](#) [R280907000](#) [R694261906](#) [RFI155-13-D4](#) [RFI21-13](#)  
[RFI25-9](#) [RFI3157-7](#) [RFI75-13-D2](#) [RFI75-3](#) [RFI75-4-D2](#) [RFI97-13](#) [IPP-2013](#) [2098-0294-00](#) [2098-3251-94](#) [RUBBER-CAP-BNC](#) [9-225381-](#)  
[0](#) [9-329099-2](#) [9-332224-1](#) [FERRULE-223](#) [202102-11](#) [213337-1](#) [220222-2](#) [24092671A](#) [24092678A](#) [R161841000](#) [R161841000W](#)  
[R280510000](#) [R282862060](#) [RFI155-1](#) [RFI25-12-D3](#) [RFI25-5](#) [RFI25-5-D3](#) [RFI75-12-D2](#) [RFI75-4-D10](#) [RFI75-4-D3](#)