

14-Bit, 200Mps, High-Dynamic-Performance, Dual DAC with CMOS Inputs

General Description

The MAX5874 is an advanced 14-bit, 200Mps, dual digital-to-analog converter (DAC). This DAC meets the demanding performance requirements of signal synthesis applications found in wireless base stations and other communications applications. Operating from 3.3V and 1.8V supplies, this dual DAC offers exceptional dynamic performance such as 78dBc spurious-free dynamic range (SFDR) at $f_{OUT} = 16\text{MHz}$ and supports update rates of 200Mps, with a power dissipation of only 260mW.

The MAX5874 utilizes a current-steering architecture that supports a 2mA to 20mA full-scale output current range, and allows a 0.1V_{P-P} to 1V_{P-P} differential output voltage swing. The device features an integrated 1.2V bandgap reference and control amplifier to ensure high-accuracy and low-noise performance. A separate reference input (REFIO) allows for the use of an external reference source for optimum flexibility and improved gain accuracy.

The digital and clock inputs of the MAX5874 accept 3.3V CMOS voltage levels. The device features a flexible input data bus that allows for dual-port input or a single-interleaved data port. The MAX5874 is available in a 68-pin QFN package with an exposed paddle (EP) and is specified for the extended temperature range (-40°C to +85°C).

Refer to the MAX5873 and MAX5875 data sheets for pin-compatible 12-bit and 16-bit versions of the MAX5874, respectively. Refer to the MAX5877 for an LVDS-compatible version of the MAX5874.

Applications

Base Stations: Single/Multicarrier UMTS, CDMA, GSM
Communications: Fixed Broadband Wireless Access,
Point-to-Point Microwave
Direct Digital Synthesis (DDS)
Cable Modem Termination System (CMTS)
Automated Test Equipment (ATE)
Instrumentation

Selector Guide

| PART | RESOLUTION (Bits) | UPDATE RATE (Mps) | LOGIC INPUTS |
|---------|-------------------|-------------------|--------------|
| MAX5873 | 12 | 200 | CMOS |
| MAX5874 | 14 | 200 | CMOS |
| MAX5875 | 16 | 200 | CMOS |
| MAX5876 | 12 | 250 | LVDS |
| MAX5877 | 14 | 250 | LVDS |
| MAX5878 | 16 | 250 | LVDS |

Features

- ◆ 200Mps Output Update Rate
- ◆ Noise Spectral Density = -160dBFS/Hz at $f_{OUT} = 16\text{MHz}$
- ◆ Excellent SFDR and IMD Performance
 - SFDR = 78dBc at $f_{OUT} = 16\text{MHz}$ (to Nyquist)
 - SFDR = 74dBc at $f_{OUT} = 80\text{MHz}$ (to Nyquist)
 - IMD = -86dBc at $f_{OUT} = 10\text{MHz}$
 - IMD = -74dBc at $f_{OUT} = 80\text{MHz}$
- ◆ ACLR = 75dB at $f_{OUT} = 61\text{MHz}$
- ◆ 2mA to 20mA Full-Scale Output Current
- ◆ CMOS-Compatible Digital and Clock Inputs
- ◆ On-Chip 1.2V Bandgap Reference
- ◆ Low 260mW Power Dissipation
- ◆ 68-Lead QFN-EP Package
- ◆ Evaluation Kit Available (MAX5874EVKIT)

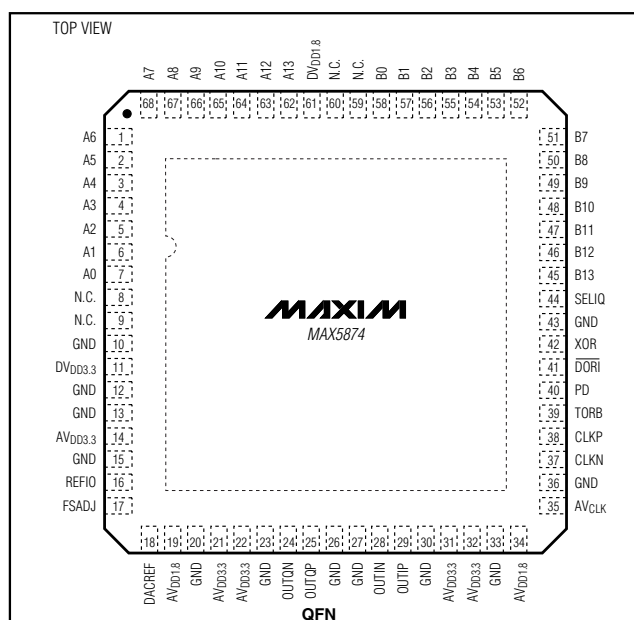
Ordering Information

| PART | TEMP RANGE | PIN-PACKAGE | PKG CODE |
|--------------|----------------|-------------|----------|
| MAX5874EGK-D | -40°C to +85°C | 68 QFN-EP* | G6800-4 |
| MAX5874EGK+D | -40°C to +85°C | 68 QFN-EP* | G6800-4 |

*EP = Exposed pad.

+ = Lead-free package. D = Dry pack.

Pin Configuration



14-Bit, 200Msps, High-Dynamic-Performance, Dual DAC with CMOS Inputs

ABSOLUTE MAXIMUM RATINGS

AVDD1.8, DVDD1.8 to GND, DACREF -0.3V to +2.16V
 AVDD3.3, DVDD3.3, AVCLK to GND, DACREF -0.3V to +3.9V
 DACREF, REFIO, FSADJ to GND,
 DACREF -0.3V to (AVDD3.3 + 0.3V)
 OUTIP, OUTIN, OUTQP,
 OUTQN to GND, DACREF -1V to (AVDD3.3 + 0.3V)
 CLKP, CLKN to GND, DACREF -0.3V to (AVCLK + 0.3V)
 A13/B13-A0/B0, XOR, SELIQ to GND,
 DACREF -0.3V to (DVDD3.3 + 0.3V)

TORB, $\overline{\text{DOR1}}$, PD to GND, DACREF -0.3V to (DVDD3.3 + 0.3V)
 Continuous Power Dissipation (TA = +70°C)
 68-Pin QFN-EP
 (derate 41.7mW/°C above +70°C) (Note 1) 3333.3mW
 Thermal Resistance θ_{JA} (Note 1) +24°C/W
 Operating Temperature Range -40°C to +85°C
 Junction Temperature +150°C
 Storage Temperature Range -60°C to +150°C
 Lead Temperature (soldering, 10s) +300°C

Note 1: Thermal resistors based on a multilayer board with 4 x 4 via array in exposed paddle area.

Stresses beyond those listed under "Absolute Maximum Ratings" may cause permanent damage to the device. These are stress ratings only, and functional operation of the device at these or any other conditions beyond those indicated in the operational sections of the specifications is not implied. Exposure to absolute maximum rating conditions for extended periods may affect device reliability.

ELECTRICAL CHARACTERISTICS

(AVDD3.3 = DVDD3.3 = AVCLK = 3.3V, AVDD1.8 = DVDD1.8 = 1.8V, GND = 0, external reference VREFIO = 1.25V, output load 50Ω double-terminated, transformer-coupled output, IOUTFS = 20mA, TA = TMIN to TMAX, unless otherwise noted. Typical values are at TA = +25°C.) (Note 2)

| PARAMETER | SYMBOL | CONDITIONS | MIN | TYP | MAX | UNITS |
|----------------------------|--------|--|--------|--------|--------|---------|
| STATIC PERFORMANCE | | | | | | |
| Resolution | | | | 14 | | Bits |
| Integral Nonlinearity | INL | Measured differentially | | ±1 | | LSB |
| Differential Nonlinearity | DNL | Measured differentially | | ±0.7 | | LSB |
| Offset Error | OS | | -0.025 | ±0.001 | +0.025 | %FS |
| Offset-Drift Tempco | | | | ±10 | | ppm/°C |
| Full-Scale Gain Error | GEFS | External reference | | ±1 | | %FS |
| Gain-Drift Tempco | | Internal reference | | ±100 | | ppm/°C |
| | | External reference | | ±50 | | |
| Full-Scale Output Current | IOUTFS | (Note 3) | 2 | | 20 | mA |
| Output Compliance | | Single-ended | -0.5 | | +1.1 | V |
| Output Resistance | ROUT | | | 1 | | MΩ |
| Output Capacitance | COUT | | | 5 | | pF |
| DYNAMIC PERFORMANCE | | | | | | |
| Clock Frequency | fCLK | | 1 | | 200 | MHz |
| Output Update Rate | fDAC | fDAC = fCLK / 2, single-port mode | 1 | | 100 | Msps |
| | | fDAC = fCLK, dual-port mode | 1 | | 200 | |
| Noise Spectral Density | | fDAC = 150MHz fOUT = 16MHz, -12dBFS | | -160 | | dBFS/Hz |
| | | fDAC = 200MHz fOUT = 80MHz, -12dBFS | | -158 | | |

14-Bit, 200Msps, High-Dynamic-Performance, Dual DAC with CMOS Inputs

MAX5874

ELECTRICAL CHARACTERISTICS (continued)

($V_{DD3.3} = DV_{DD3.3} = AV_{CLK} = 3.3V$, $V_{DD1.8} = DV_{DD1.8} = 1.8V$, $GND = 0$, external reference $V_{REFIO} = 1.25V$, output load 50Ω double-terminated, transformer-coupled output, $I_{OUTFS} = 20mA$, $T_A = T_{MIN}$ to T_{MAX} , unless otherwise noted. Typical values are at $T_A = +25^\circ C$.) (Note 2)

| PARAMETER | SYMBOL | CONDITIONS | | MIN | TYP | MAX | UNITS |
|--|-------------------------|--|---|-------|-------------|-------|---------------------|
| Spurious-Free Dynamic Range to Nyquist | SFDR | $f_{DAC} = 100MHz$ | $f_{OUT} = 1MHz, 0dBFS$ | | 88 | | dBc |
| | | | $f_{OUT} = 1MHz, -6dBFS$ | | 82 | | |
| | | | $f_{OUT} = 1MHz, -12dBFS$ | | 82 | | |
| | | | $f_{OUT} = 10MHz, -12dBFS$ | | 80 | | |
| | | $f_{DAC} = 200MHz$ | $f_{OUT} = 30MHz, -12dBFS$ | | 79 | | |
| | | | $f_{OUT} = 10MHz, -12dBFS$ | | 80 | | |
| | | | $f_{OUT} = 16MHz, -12dBFS, T_A \geq +25^\circ C$ | 71 | 78 | | |
| | | | $f_{OUT} = 16MHz, -12dBFS$ | 68 | 78 | | |
| | | $f_{OUT} = 50MHz, -12dBFS$ | | 77 | | | |
| | | $f_{OUT} = 80MHz, -12dBFS$ | | 74 | | | |
| Spurious-Free Dynamic Range, 25MHz Bandwidth | SFDR | $f_{DAC} = 150MHz$ | $f_{OUT} = 16MHz, -12dBFS$ | | 84 | | dBc |
| Two-Tone IMD | TTIMD | $f_{DAC} = 100MHz$ | $f_{OUT1} = 9MHz, -7dBFS;$ $f_{OUT2} = 10MHz, -7dBFS$ | | -86 | | dBc |
| | | $f_{DAC} = 200MHz$ | $f_{OUT1} = 79MHz, -7dBFS;$ $f_{OUT2} = 80MHz, -7dBFS$ | | -74 | | |
| Four-Tone IMD, 1MHz Frequency Spacing, GSM Model | FTIMD | $f_{DAC} = 150MHz$ | $f_{OUT} = 16MHz, -12dBFS$ | | -82 | | dBc |
| Adjacent Channel Leakage Power Ratio 3.84MHz Bandwidth, W-CDMA Model | ACLR | $f_{DAC} = 184.32MHz$ | $f_{OUT} = 61.44MHz$ | | 75 | | dB |
| Output Bandwidth | BW _{-1dB} | (Note 4) | | | 240 | | MHz |
| INTER-DAC CHARACTERISTICS | | | | | | | |
| Gain Matching | $\Delta Gain$ | $f_{OUT} = DC - 80MHz$ | | | ± 0.2 | | dB |
| | | $f_{OUT} = DC$ | | | +0.01 | | |
| Gain-Matching Tempco | $\Delta Gain/^\circ C$ | | | | ± 20 | | ppm/ $^\circ C$ |
| Phase Matching | $\Delta Phase$ | $f_{OUT} = 60MHz$ | | | ± 0.25 | | Degrees |
| Phase-Matching Tempco | $\Delta Phase/^\circ C$ | | | | ± 0.002 | | Degrees/ $^\circ C$ |
| Channel-to-Channel Crosstalk | | $f_{CLK} = 200MHz, f_{OUT} = 50MHz, 0dBFS$ | | | -70 | | dB |
| REFERENCE | | | | | | | |
| Internal Reference Voltage Range | V_{REFIO} | | | 1.14 | 1.2 | 1.26 | V |
| Reference Input Compliance Range | $V_{REFIOCR}$ | | | 0.125 | | 1.250 | V |
| Reference Input Resistance | R_{REFIO} | | | | 10 | | k Ω |
| Reference Voltage Drift | TC_{REF} | | | | ± 25 | | ppm/ $^\circ C$ |

14-Bit, 200Msps, High-Dynamic-Performance, Dual DAC with CMOS Inputs

ELECTRICAL CHARACTERISTICS (continued)

($AV_{DD3.3} = DV_{DD3.3} = AV_{CLK} = 3.3V$, $AV_{DD1.8} = DV_{DD1.8} = 1.8V$, $GND = 0$, external reference $V_{REFIO} = 1.25V$, output load 50Ω double-terminated, transformer-coupled output, $I_{OUTFS} = 20mA$, $T_A = T_{MIN}$ to T_{MAX} , unless otherwise noted. Typical values are at $T_A = +25^\circ C$.) (Note 2)

| PARAMETER | SYMBOL | CONDITIONS | MIN | TYP | MAX | UNITS |
|--|--------------|--|--------------------|------------------------|-------|----------------|
| ANALOG OUTPUT TIMING (See Figure 4) | | | | | | |
| Output Fall Time | t_{FALL} | 90% to 10% (Note 5) | | 0.7 | | ns |
| Output Rise Time | t_{RISE} | 10% to 90% (Note 5) | | 0.7 | | ns |
| Output-Voltage Settling Time | t_{SETTLE} | Output settles to 0.025% FS (Note 5) | | 14 | | ns |
| Output Propagation Delay | t_{PD} | Excluding data latency (Note 5) | | 1.1 | | ns |
| Glitch Impulse | | Measured differentially | | 1 | | pV•s |
| Output Noise | n_{OUT} | $I_{OUTFS} = 2mA$ | | 30 | | pA/\sqrt{Hz} |
| | | $I_{OUTFS} = 20mA$ | | 30 | | |
| TIMING CHARACTERISTICS | | | | | | |
| Data to Clock Setup Time | t_{SETUP} | Referenced to rising edge of clock (Note 6) | -0.6 | -1.2 | | ns |
| Data to Clock Hold Time | t_{HOLD} | Referenced to rising edge of clock (Note 6) | 2.1 | 1.5 | | ns |
| Single-Port (Interleaved Mode) Data Latency | | Latency to I output | | 9 | | Clock cycles |
| | | Latency to Q output | | 8 | | |
| Dual-Port (Parallel Mode) Data Latency | | | | 5.5 | | Clock cycles |
| Minimum Clock Pulse-Width High | t_{CH} | CLKP, CLKN | | 2.4 | | ns |
| Minimum Clock Pulse-Width Low | t_{CL} | CLKP, CLKN | | 2.4 | | ns |
| CMOS LOGIC INPUTS (A13/B13–A0/B0, XOR, SELIQ, PD, TORB, $\overline{DOR1}$) | | | | | | |
| Input Logic High | V_{IH} | | 0.7 x $DV_{DD3.3}$ | | | V |
| Input Logic Low | V_{IL} | | 0.3 x $DV_{DD3.3}$ | | | V |
| Input Leakage Current | I_{IN} | | | 1 | 20 | μA |
| PD, TORB, $\overline{DOR1}$ Internal Pulldown Resistance | | $V_{PD} = V_{TORB} = V_{\overline{DOR1}} = 3.3V$ | | 1.5 | | $M\Omega$ |
| Input Capacitance | C_{IN} | | | 2.5 | | pF |
| CLOCK INPUTS (CLKP, CLKN) | | | | | | |
| Differential Input Voltage Swing | | Sine wave | | > 1.5 | | V_{P-P} |
| | | Square wave | | > 0.5 | | |
| Differential Input Slew Rate | SR_{CLK} | (Note 7) | | > 100 | | $V/\mu s$ |
| External Common-Mode Voltage Range | V_{COM} | | | $AV_{CLK} / 2 \pm 0.3$ | | V |
| Input Resistance | R_{CLK} | | | 5 | | $k\Omega$ |
| Input Capacitance | C_{CLK} | | | 2.5 | | pF |
| POWER SUPPLIES | | | | | | |
| Analog Supply Voltage Range | $AV_{DD3.3}$ | | 3.135 | 3.3 | 3.465 | V |
| | $AV_{DD1.8}$ | | 1.710 | 1.8 | 1.890 | |
| Digital Supply Voltage Range | $DV_{DD3.3}$ | | 3.135 | 3.3 | 3.465 | V |
| | $DV_{DD1.8}$ | | 1.710 | 1.8 | 1.890 | |
| Clock Supply Voltage Range | AV_{CLK} | | 3.135 | 3.3 | 3.465 | V |

14-Bit, 200Mps, High-Dynamic-Performance, Dual DAC with CMOS Inputs

ELECTRICAL CHARACTERISTICS (continued)

($V_{DD3.3} = DV_{DD3.3} = AV_{CLK} = 3.3V$, $V_{DD1.8} = DV_{DD1.8} = 1.8V$, $GND = 0$, external reference $V_{REFIO} = 1.25V$, output load 50Ω double-terminated, transformer-coupled output, $I_{OUTFS} = 20mA$, $T_A = T_{MIN}$ to T_{MAX} , unless otherwise noted. Typical values are at $T_A = +25^\circ C$.) (Note 2)

| PARAMETER | SYMBOL | CONDITIONS | MIN | TYP | MAX | UNITS |
|------------------------------|---------------------------|--|------|-------|------|---------|
| Analog Supply Current | $I_{AVDD3.3} + I_{AVCLK}$ | $f_{DAC} = 200Mps$, $f_{OUT} = 1MHz$ | | 53 | 58 | mA |
| | | Power-down | | 0.001 | | |
| | $I_{AVDD1.8}$ | $f_{DAC} = 200Mps$, $f_{OUT} = 1MHz$ | | 24 | 32 | mA |
| | | Power-down | | 0.001 | | |
| Digital Supply Current | $I_{DVDD3.3}$ | $f_{DAC} = 200Mps$, $f_{OUT} = 1MHz$ | | 1.5 | 3 | mA |
| | | Power-down | | 0.001 | | |
| | $I_{DVDD1.8}$ | $f_{DAC} = 200Mps$, $f_{OUT} = 1MHz$ | | 21 | 25 | mA |
| | | Power-down | | 0.001 | | |
| Power Dissipation | P_{DISS} | $f_{DAC} = 200Mps$, $f_{OUT} = 1MHz$ | | 260 | 300 | mW |
| | | Power-down | | 14 | | μW |
| Power-Supply Rejection Ratio | PSRR | $AV_{DD3.3} = AV_{CLK} = DV_{DD3.3} = +3.3V \pm 5\%$ (Notes 7, 8) | -0.1 | | +0.1 | %FS/V |

Note 2: Specifications at $T_A \geq +25^\circ C$ are guaranteed by production testing. Specifications at $T_A < +25^\circ C$ are guaranteed by design and characterization data.

Note 3: Nominal full-scale current $I_{OUTFS} = 32 \times I_{REF}$.

Note 4: This parameter does not include update-rate-dependent effects of $\sin(x)/x$ filtering inherent in the MAX5874.

Note 5: Parameter measured single-ended into a 50Ω termination resistor.

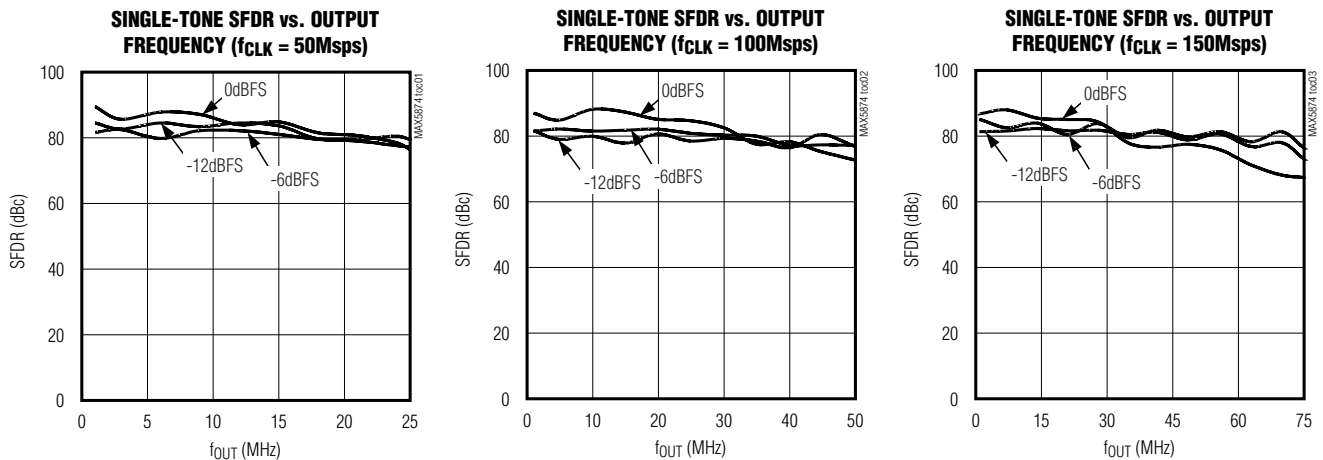
Note 6: Not production tested. Guaranteed by design and characterization data.

Note 7: A differential clock input slew rate of $> 100V/\mu s$ is required to achieve the specified dynamic performance.

Note 8: Parameter defined as the change in midscale output caused by a $\pm 5\%$ variation in the nominal supply voltage.

Typical Operating Characteristics

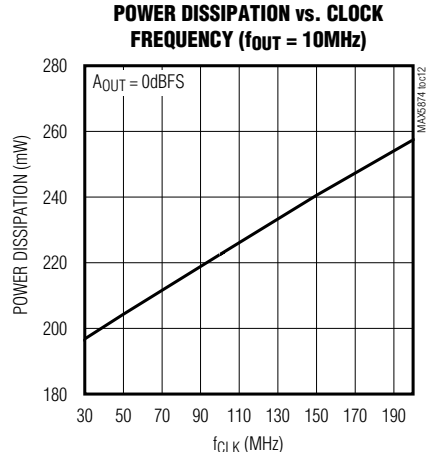
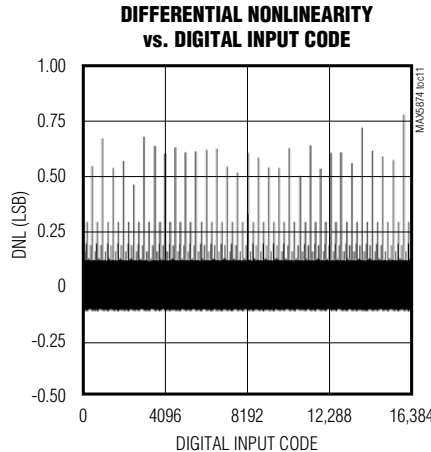
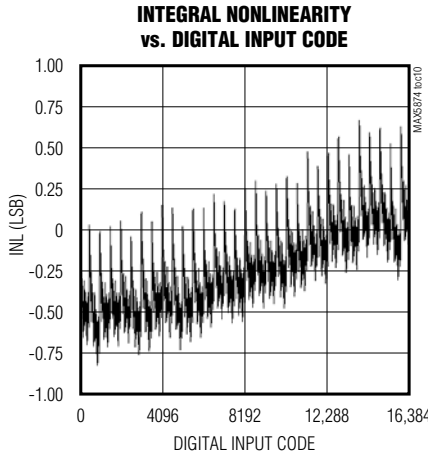
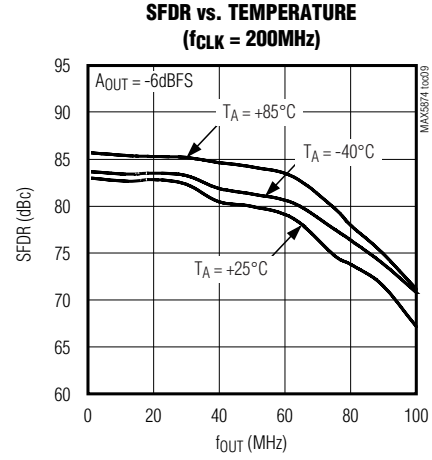
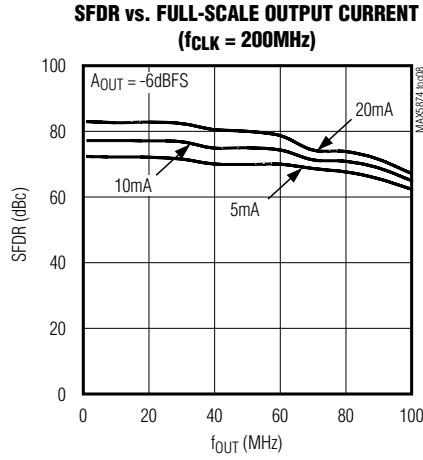
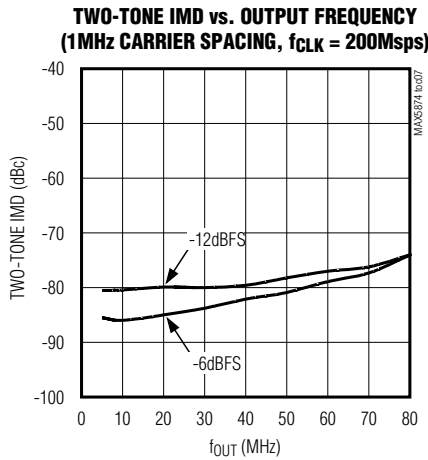
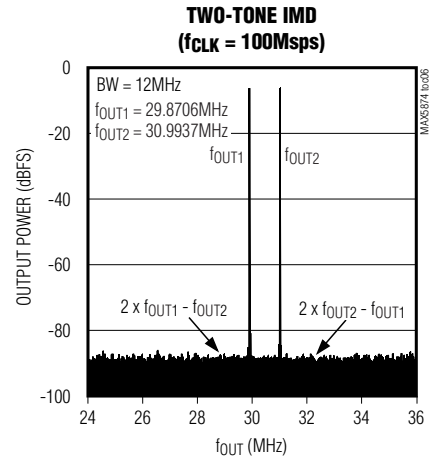
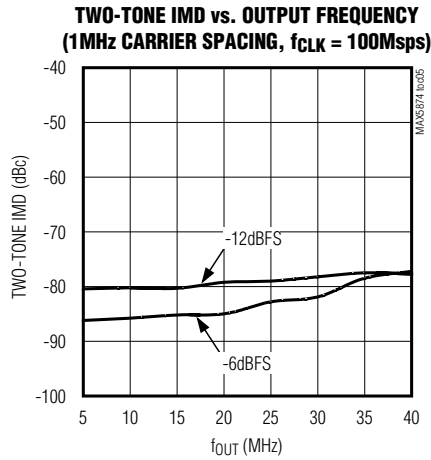
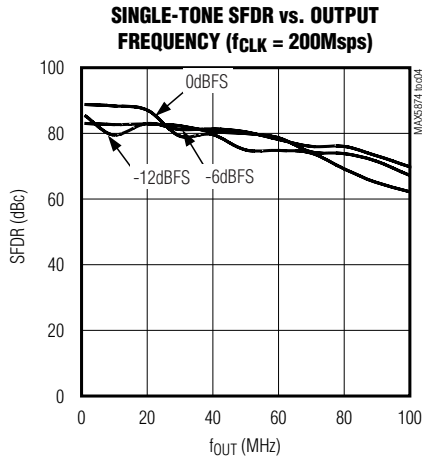
($V_{DD3.3} = DV_{DD3.3} = AV_{CLK} = 3.3V$, $V_{DD1.8} = DV_{DD1.8} = 1.8V$, external reference, $V_{REFIO} = 1.25V$, $R_L = 50\Omega$ double-terminated, $I_{OUTFS} = 20mA$, $T_A = +25^\circ C$, unless otherwise noted.)



14-Bit, 200Mps, High-Dynamic-Performance, Dual DAC with CMOS Inputs

Typical Operating Characteristics (continued)

($AV_{DD3.3} = DV_{DD3.3} = AV_{CLK} = 3.3V$, $AV_{DD1.8} = DV_{DD1.8} = 1.8V$, external reference, $V_{REFIO} = 1.25V$, $R_L = 50\Omega$ double-terminated, $I_{OUTFS} = 20mA$, $T_A = +25^\circ C$, unless otherwise noted.)



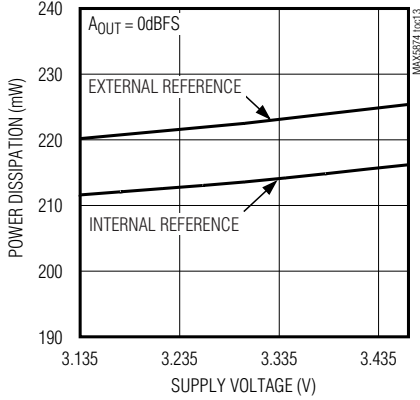
14-Bit, 200Mps, High-Dynamic-Performance, Dual DAC with CMOS Inputs

MAX5874

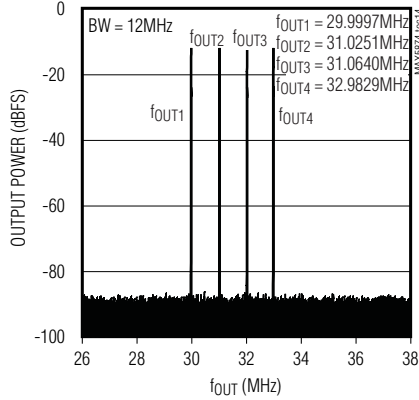
Typical Operating Characteristics (continued)

($AV_{DD3.3} = DV_{DD3.3} = AV_{CLK} = 3.3V$, $AV_{DD1.8} = DV_{DD1.8} = 1.8V$, external reference, $V_{REFIO} = 1.25V$, $R_L = 50\Omega$ double-terminated, $I_{OUTFS} = 20mA$, $T_A = +25^\circ C$, unless otherwise noted.)

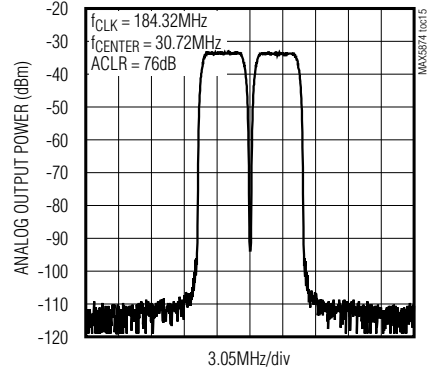
POWER DISSIPATION vs. SUPPLY VOLTAGE
($f_{CLK} = 100MHz$, $f_{OUT} = 10MHz$)



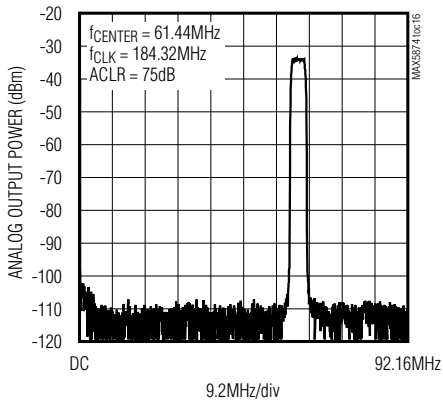
FOUR-TONE POWER RATIO PLOT
($f_{CLK} = 150MHz$, $f_{CENTER} = 31.6040MHz$)



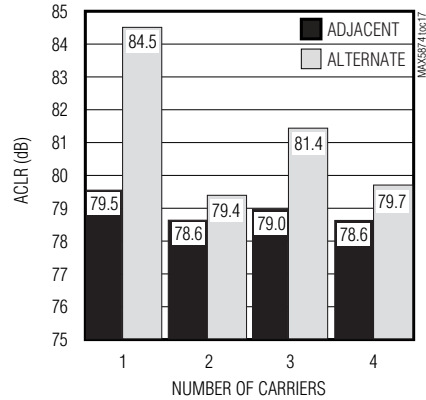
ACLR FOR WCDMA MODULATION, TWO CARRIERS



ACLR FOR WCDMA MODULATION, SINGLE CARRIER



WCDMA BASEBAND ACLR



14-Bit, 200Msps, High-Dynamic-Performance, Dual DAC with CMOS Inputs

Pin Description

| PIN | NAME | FUNCTION |
|--|----------------------------|--|
| 1–7 | A6, A5, A4, A3, A2, A1, A0 | Data Bits A6–A0. In dual-port mode, data is directed to the Q-DAC. In single-port mode, data bits are not used. Connect bits A6–A0 to GND in single-port mode. |
| 8, 9, 59, 60 | N.C. | No Connection. Leave floating or connect to GND. |
| 10, 12, 13, 15, 20, 23, 26, 27, 30, 33, 36, 43 | GND | Converter Ground |
| 11 | DVDD3.3 | Digital Supply Voltage. Accepts a 3.135V to 3.465V supply voltage range. Bypass with a 0.1µF capacitor to GND. |
| 14, 21, 22, 31, 32 | AVDD3.3 | Analog Supply Voltage. Accepts a 3.135V to 3.465V supply voltage range. Bypass each pin with a 0.1µF capacitor to GND. |
| 16 | REFIO | Reference I/O. Output of the internal 1.2V precision bandgap reference. Bypass with a 1µF capacitor to GND. REFIO can be driven with an external reference source. See Table1. |
| 17 | FSADJ | Full-Scale Adjust Input. This input sets the full-scale output current of the DAC. For a 20mA full-scale output current, connect a 2kΩ resistor between FSADJ and DACREF. See Table1. |
| 18 | DACREF | Current-Set Resistor Return Path. For a 20mA full-scale output current, connect a 2kΩ resistor between FSADJ and DACREF. Internally connected to GND. Do not use as an external ground connection. |
| 19, 34 | AVDD1.8 | Analog Supply Voltage. Accepts a 1.71V to 1.89V supply voltage range. Bypass each pin with a 0.1µF capacitor to GND. |
| 24 | OUTQN | Complementary Q-DAC Output. Negative terminal for current output. |
| 25 | OUTQP | Q-DAC Output. Positive terminal for current output. |
| 28 | OUTIN | Complementary I-DAC Output. Negative terminal for current output. |
| 29 | OUTIP | I-DAC Output. Positive terminal for current output. |
| 35 | AVCLK | Clock Supply Voltage. Accepts a 3.135V to 3.465V supply voltage range. Bypass with a 0.1µF capacitor to GND. |
| 37 | CLKN | Complementary Converter Clock Input. Negative input terminal for differential converter clock. Internally biased to AVCLK / 2. |
| 38 | CLKP | Converter Clock Input. Positive input terminal for differential converter clock. Internally biased to AVCLK / 2. |
| 39 | TORB | Two's-Complement/Binary Select Input. Set TORB to a CMOS-logic-high level to indicate a two's-complement input format. Set TORB to a CMOS-logic-low level to indicate a binary input format. TORB has an internal pulldown resistor. |
| 40 | PD | Power-Down Input. Set PD to a CMOS-logic-high level to force the DAC into power-down mode. Set PD to a CMOS-logic-low level for normal operation. PD has an internal pulldown resistor. |
| 41 | $\overline{\text{DORI}}$ | Dual (Parallel)/Single (Interleaved) Port Select Input. Set $\overline{\text{DORI}}$ high to configure as a dual-port DAC. Set $\overline{\text{DORI}}$ low to configure as a single-port interleaved DAC. $\overline{\text{DORI}}$ has an internal pulldown resistor. |

14-Bit, 200Msps, High-Dynamic-Performance, Dual DAC with CMOS Inputs

Pin Description (continued)

| PIN | NAME | FUNCTION |
|-------|--|--|
| 42 | XOR | DAC Exclusive-OR Select Input. Set XOR low to allow the data stream to pass unchanged to the DAC input. Set XOR high to invert the input data into the DAC. If unused, connect XOR to GND. |
| 44 | SELIQ | DAC Select Input. Set SELIQ low to direct data into the Q-DAC inputs. Set SELIQ high to direct data into the I-DAC inputs. If unused, connect SELIQ to GND. SELIQ's logic state is only valid in single-port (interleaved) mode. |
| 45–58 | B13, B12, B11, B10, B9, B8, B7, B6, B5, B4, B3, B2, B1, B0 | Data Bits B13–B0. In dual-port mode, data is directed to the I-DAC. In single-port mode, the state of SELIQ determines where the data bits are directed. |
| 61 | DVDD1.8 | Digital Supply Voltage. Accepts a 1.71V to 1.89V supply voltage range. Bypass with a 0.1µF capacitor to GND. |
| 62–68 | A13, A12, A11, A10, A9, A8, A7 | Data Bits A13–A7. In dual-port mode, data is directed to the Q-DAC. In single-port mode, data bits are not used. Connect bits A13–A7 to GND in single-port mode. |
| — | EP | Exposed Pad. Must be connected to GND through a low-impedance path. |

Detailed Description

Architecture

The MAX5874 high-performance, 14-bit, dual current-steering DAC (Figure 1) operates with DAC update rates up to 200Msps. The converter consists of input registers and a demultiplexer for single-port (interleaved) mode, followed by a current-steering array. During operation in interleaved mode, the input data registers demultiplex the single-port data bus. The current-steering array generates differential full-scale currents in the 2mA to 20mA range. An internal current-switching network, in combination with external 50Ω termination resistors, converts the differential output currents into dual differential output voltages with a 0.1V to 1V peak-to-peak output voltage range. An integrated 1.2V bandgap reference, control amplifier, and user-selectable external resistor determine the data converter's full-scale output range.

Reference Architecture and Operation

The MAX5874 supports operation with the internal 1.2V bandgap reference or an external reference voltage source. REFIO serves as the input for an external, low-impedance reference source. REFIO also serves as a reference output when the DAC operates in internal reference mode. For stable operation with the internal reference, decouple REFIO to GND with a 1µF capacitor. Due to its limited output-drive capability, buffer REFIO with an external amplifier when driving large external loads.

The MAX5874's reference circuit (Figure 2) employs a control amplifier to regulate the full-scale current I_{OUTFS} for the differential current outputs of the DAC. Calculate the full-scale output current as follows:

$$I_{OUTFS} = 32 \times \frac{V_{REFIO}}{R_{SET}} \times \left(1 - \frac{1}{2^{14}}\right)$$

where I_{OUTFS} is the full-scale output current of the DAC. R_{SET} (located between FSADJ and DACREF) determines the amplifier's full-scale output current for the DAC. See Table 1 for a matrix of different I_{OUTFS} and R_{SET} selections.

Table 1. I_{OUTFS} and R_{SET} Selection Matrix Based on a Typical 1.200V Reference Voltage

| FULL-SCALE CURRENT I _{OUTFS} (mA) | R _{SET} (Ω) | |
|--|----------------------|------------|
| | CALCULATED | 1% EIA STD |
| 2 | 19.2k | 19.1k |
| 5 | 7.68k | 7.5k |
| 10 | 3.84k | 3.83k |
| 15 | 2.56k | 2.55k |
| 20 | 1.92k | 1.91k |

14-Bit, 200Mps, High-Dynamic-Performance, Dual DAC with CMOS Inputs

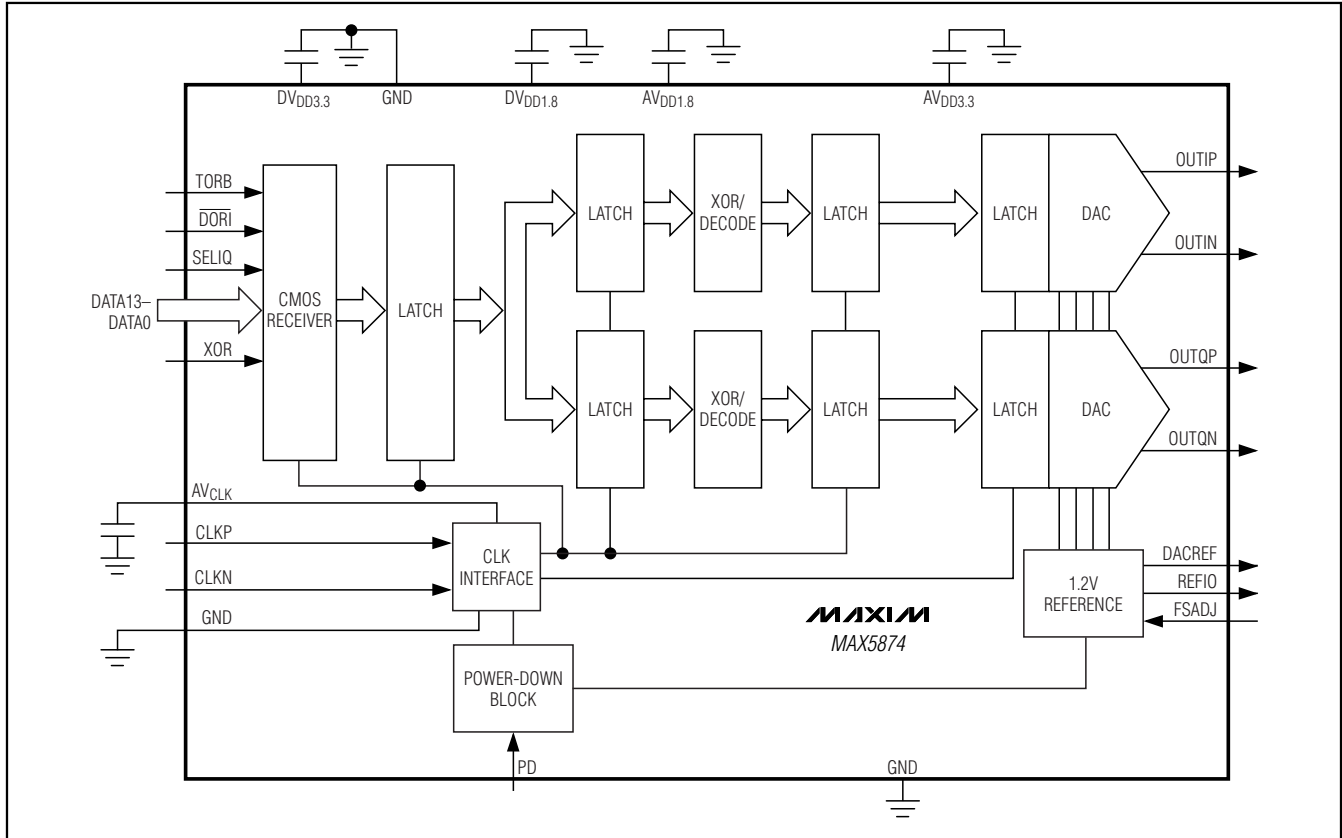


Figure 1. MAX5874 High-Performance, 14-Bit, Dual Current-Steering DAC

Analog Outputs (OUTIP, OUTIN, OUTQP, OUTQN)

Each MAX5874 DAC outputs two complementary currents (OUTIP/N, OUTQP/N) that operate in a single-ended or differential configuration. A load resistor converts these two output currents into complementary single-ended output voltages. A transformer or a differential amplifier configuration converts the differential voltage existing between OUTIP (OUTQP) and OUTIN (OUTQN) to a single-ended voltage. If not using a transformer, the recommended termination from the output is a 25Ω termination resistor to ground and a 50Ω resistor between the outputs.

To generate a single-ended output, select OUTIP (or OUTQP) as the output and connect OUTIN (or OUTQN) to GND. SFDR degrades with single-ended operation. Figure 3 displays a simplified diagram of the internal output structure of the MAX5874.

Clock Inputs (CLKP, CLKN)

The MAX5874 features flexible differential clock inputs (CLKP, CLKN) operating from a separate supply

(AVCLK) to achieve the optimum jitter performance. Drive the differential clock inputs from a single-ended or a differential clock source. For single-ended operation, drive CLKP with a logic source and bypass CLKN to GND with a 0.1μF capacitor.

CLKP and CLKN are internally biased to AVCLK / 2. This facilitates the AC-coupling of clock sources directly to the device without external resistors to define the DC level. The dynamic input resistance from CLKP and CLKN to ground is > 5kΩ.

Data Timing Relationship

Figure 4 displays the timing relationship between digital CMOS data, clock, and output signals. The MAX5874 features a 1.5ns hold, a -1.2ns setup, and a 1.1ns propagation delay time. A nine (eight)-clock-cycle latency exists between CLKP/CLKN and OUTIP/OUTIN (OUTQP/OUTQN) when operating in single-port (interleaved) mode. In dual-port (parallel) mode, the clock latency is 5.5 clock cycles for both channels. Table 2 shows the DAC output codes.

14-Bit, 200Mps, High-Dynamic-Performance, Dual DAC with CMOS Inputs

MAX5874

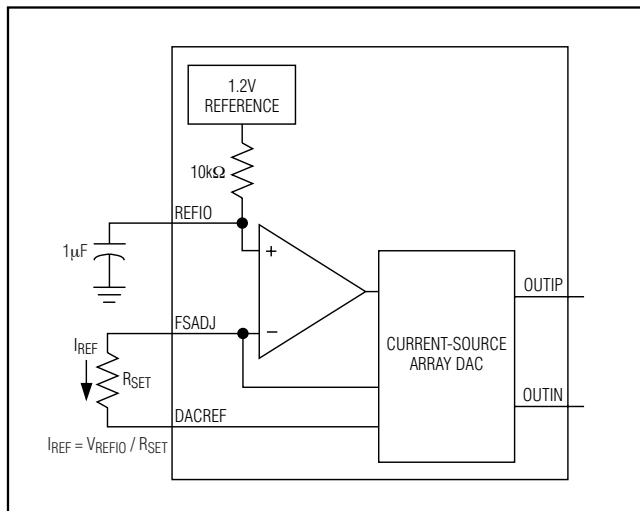


Figure 2. Reference Architecture, Internal Reference Configuration

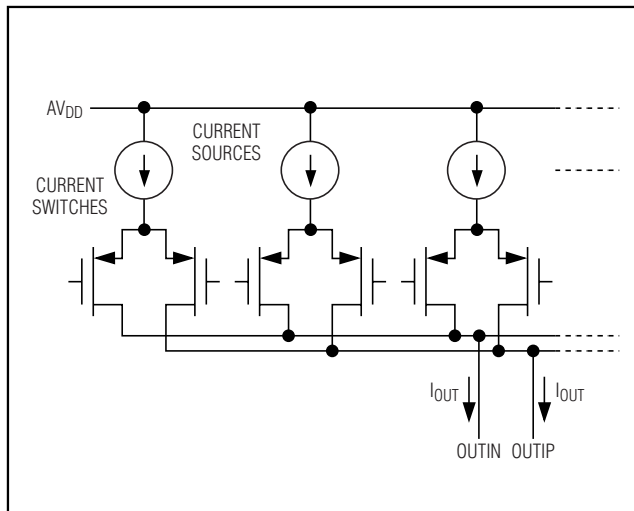


Figure 3. Simplified Analog Output Structure

Table 2. DAC Output Code Table

| DIGITAL INPUT CODE | | OUT_P | OUT_N |
|--------------------|-------------------|-----------------|-----------------|
| OFFSET BINARY | TWO'S COMPLEMENT | | |
| 00 0000 0000 0000 | 10 0000 0000 0000 | 0 | I_{OUTFS} |
| 01 1111 1111 1111 | 00 0000 0000 0000 | $I_{OUTFS} / 2$ | $I_{OUTFS} / 2$ |
| 11 1111 1111 1111 | 01 1111 1111 1111 | I_{OUTFS} | 0 |

CMOS-Compatible Digital Inputs

Input Data Format Select (TORB, \overline{DORI})

The TORB input selects between two's-complement or binary digital input data. Set TORB to a CMOS-logic-high level to indicate a two's-complement input format. Set TORB to a CMOS-logic-low level to indicate a binary input format.

The \overline{DORI} input selects between a dual-port (parallel) or single-port (interleaved) DAC. Set \overline{DORI} high to configure the MAX5874 as a dual-port DAC. Set \overline{DORI} low to configure the MAX5874 as a single-port DAC. In dual-port mode, connect SELIQ to ground.

CMOS DAC Inputs (A13/B13–A0/B0, XOR, SELIQ)

The MAX5874 latches input data on the rising edge of the clock in a user-selectable two's-complement or binary format. A logic-high voltage on TORB selects two's-complement and a logic-low selects offset binary format.

The MAX5874 includes a single-ended, CMOS-compatible XOR input. Input data (all bits) are compared with the

bit applied to XOR through exclusive-OR gates. Pulling XOR high inverts the input data. Pulling XOR low leaves the input data noninverted. By applying a previously encoded pseudo-random bit stream to the data input and applying decoding to XOR, the digital input data can be decorrelated from the DAC output, allowing for the troubleshooting of possible spurious or harmonic distortion due to digital feedthrough on the printed circuit board (PCB).

A13/B13–A0/B0, XOR, and SELIQ are latched on the rising edge of the clock. In single-port mode (\overline{DORI} pulled low) a logic-high signal on SELIQ directs the B13–B0 data onto the I-DAC inputs. A logic-low signal at SELIQ directs data to the Q-DAC inputs. In dual-port (parallel) mode (\overline{DORI} pulled high), data on pins A13–A0 are directed onto the Q-DAC inputs and B13–B0 are directed onto the I-DAC inputs.

Power-Down Operation (PD)

The MAX5874 also features an active-high power-down mode that reduces the DAC's digital current consumption from 22mA to less than 2μA and the analog current consumption from 77mA to less than 2μA. Set PD high to power down the MAX5874. Set PD low for normal operation.

When powered down, the power consumption of the MAX5874 is reduced to less than 14μW. The MAX5874 requires 10ms to wake up from power-down and enter a fully operational state. The PD integrated pulldown resistor activates the MAX5874 if PD is left floating.

14-Bit, 200Msps, High-Dynamic-Performance, Dual DAC with CMOS Inputs

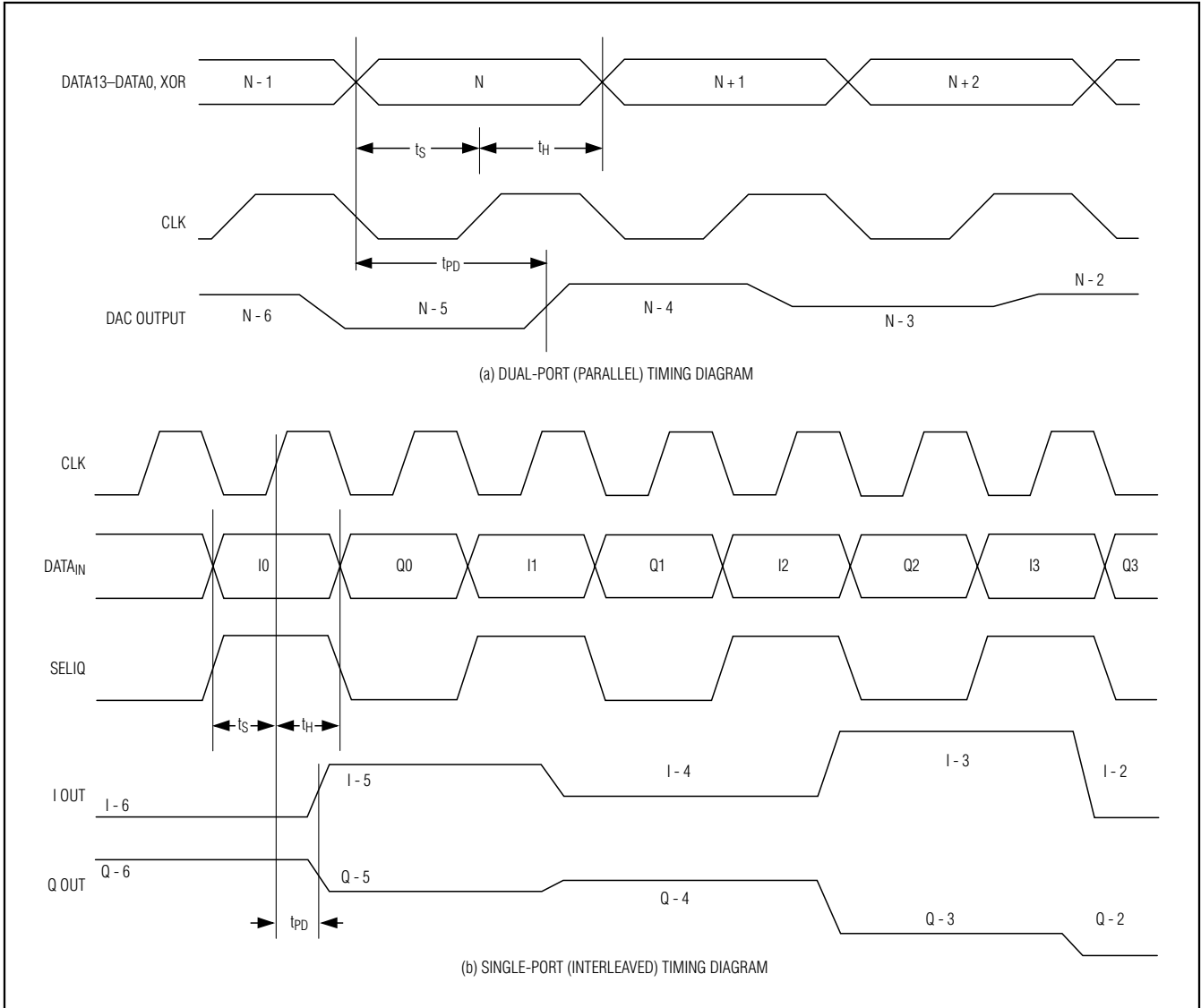


Figure 4. Timing Relationships Between Clock and Input Data for (a) Dual-Port (Parallel) Mode and (b) Single-Port (Interleaved) Mode

Applications Information

CLK Interface

The MAX5874 features a flexible differential clock input (CLKP, CLKN) with a separate supply (AVCLK) to achieve optimum jitter performance. Use an ultra-low jitter clock to achieve the required noise density. Clock jitter must be less than 0.5psRMS for meeting the specified noise density. For that reason, the CLKP/CLKN input source must be designed carefully. The differential clock (CLKN and CLKP) input can be driven from a single-ended or a differential clock source. Differential

clock drive is required to achieve the best dynamic performance from the DAC. For single-ended operation, drive CLKP with a low-noise source and bypass CLKN to GND with a 0.1μF capacitor.

Figure 5 shows a convenient and quick way to apply a differential signal created from a single-ended source (e.g., HP/AGILENT 8644B signal generator) and a wide-band transformer. Alternatively, these inputs can be driven from a CMOS-compatible clock source; however, it is recommended to use sinewave or AC-coupled differential ECL/PECL drive for best dynamic performance.

14-Bit, 200MSPS, High-Dynamic-Performance, Dual DAC with CMOS Inputs

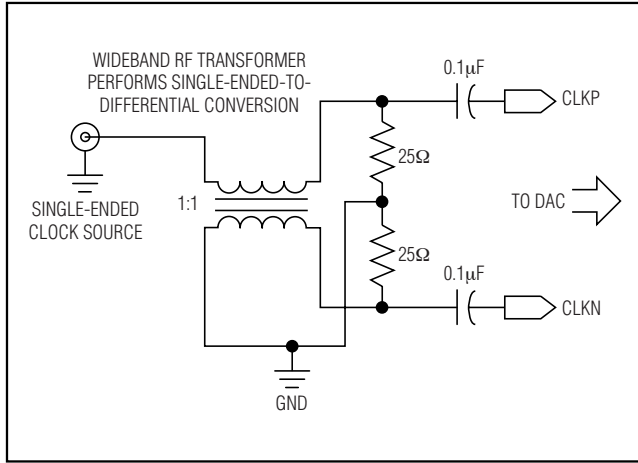


Figure 5. Differential Clock-Signal Generation

Differential-to-Single-Ended Conversion Using a Wideband RF Transformer

Use a pair of transformers (Figure 6) or a differential amplifier configuration to convert the differential voltage existing between OUTIP/OUTQP and OUTIN/OUTQN to a single-ended voltage. Optimize the dynamic performance by using a differential transformer-coupled output to limit the output power to < 0dBm full scale. Pay close attention to the transformer core saturation characteristics when selecting a transformer for the MAX5874. Transformer core saturation can introduce strong 2nd-order harmonic distortion, especially at low output frequencies and high signal amplitudes. For best results, center tap the transformer to ground. When not using a transformer, terminate each DAC output to ground with a 25Ω resistor. Additionally, place a 50Ω resistor between the outputs (Figure 7).

For a single-ended unipolar output, select OUTIP (OUTQP) as the output and ground OUTIN (OUTQN) to GND. Driving the MAX5874 single-ended is not recommended since additional noise and distortion will be added.

The distortion performance of the DAC depends on the load impedance. The MAX5874 is optimized for 50Ω differential double termination. It can be used with a transformer output as shown in Figure 6 or just one 25Ω resistor from each output to ground and one 50Ω resistor between the outputs (Figure 7). This produces a full-scale output power of up to -2dBm, depending on the output current setting. Higher termination impedance can be used at the cost of degraded distortion performance and increased output noise voltage.

Grounding, Bypassing, and Power-Supply Considerations

Grounding and power-supply decoupling can strongly influence the MAX5874 performance. Unwanted digital crosstalk couples through the input, reference, power supply, and ground connections, and affects dynamic performance. High-speed, high-frequency applications require closely followed proper grounding and power-supply decoupling. These techniques reduce EMI and internal crosstalk that can significantly affect the MAX5874 dynamic performance.

Use a multilayer PCB with separate ground and power-supply planes. Run high-speed signals on lines directly above the ground plane. Keep digital signals as far away from sensitive analog inputs and outputs, reference input sense lines, and clock inputs as practical. Use a controlled-impedance symmetric design of clock input and the analog output lines to minimize 2nd-order harmonic distortion components, thus

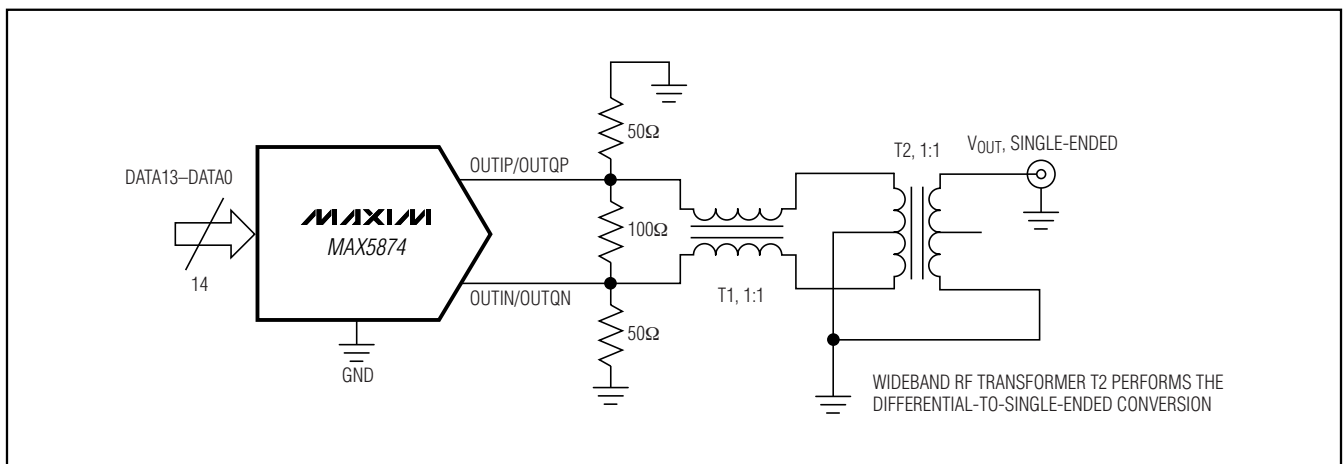


Figure 6. Differential-to-Single-Ended Conversion Using a Wideband RF Transformer

14-Bit, 200Msps, High-Dynamic-Performance, Dual DAC with CMOS Inputs

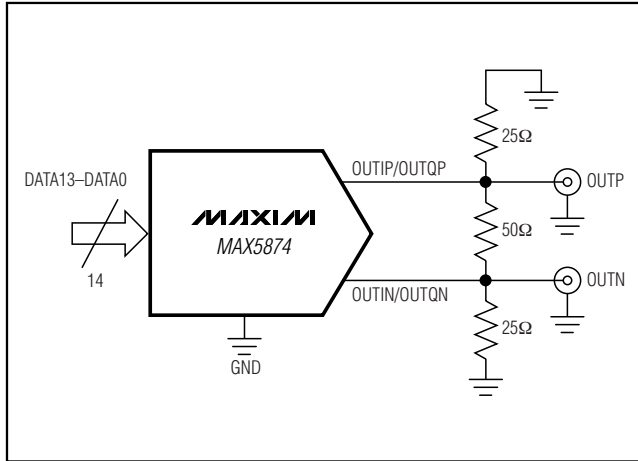


Figure 7. Differential Output Configuration

optimizing the DAC's dynamic performance. Keep digital signal paths short and run lengths matched to avoid propagation delay and data skew mismatches.

The MAX5874 requires five separate power-supply inputs for analog ($AV_{DD1.8}$ and $AV_{DD3.3}$), digital ($DV_{DD1.8}$ and $DV_{DD3.3}$), and clock (AV_{CLK}) circuitry. Decouple each AV_{DD} , DV_{DD} , and AV_{CLK} input pin with a separate $0.1\mu\text{F}$ capacitor as close to the device as possible with the shortest possible connection to the ground plane (Figure 8). Minimize the analog and digital load capacitances for optimized operation. Decouple all three power-supply voltages at the point they enter the PCB with tantalum or electrolytic capacitors. Ferrite beads with additional decoupling capacitors forming a pi-network could also improve performance.

The analog and digital power-supply inputs $AV_{DD3.3}$, AV_{CLK} , and $DV_{DD3.3}$ allow a 3.135V to 3.465V supply voltage range. The analog and digital power-supply inputs $AV_{DD1.8}$ and $DV_{DD1.8}$ allow a 1.71V to 1.89V supply voltage range.

The MAX5874 is packaged in a 68-pin QFN-EP package, providing greater design flexibility and optimized DAC AC performance. The EP enables the use of necessary grounding techniques to ensure highest performance operation. Thermal efficiency is not the key factor, since the MAX5874 features low-power operation. The exposed pad ensures a solid ground connection between the DAC and the PCB's ground layer.

The data converter die attaches to an EP lead frame with the back of this frame exposed at the package bottom surface, facing the PCB side of the package. This allows for a solid attachment of the package to the PCB with standard infrared (IR) reflow soldering techniques. A specially created land pattern on the PCB, matching the size of the EP (6mm x 6mm), ensures the proper attachment and grounding of the DAC. Refer to the MAX5874 EV kit data sheet. Designing vias into the land area and implementing large ground planes in the PCB design allow for the highest performance operation of the DAC. Use an array of at least 4 x 4 vias ($\leq 0.3\text{mm}$ diameter per via hole and 1.2mm pitch between via holes) for this 68-pin QFN-EP package. **Connect the MAX5874 exposed paddle to GND.** Vias connect the land pattern to internal or external copper planes. Use as many vias as possible to the ground plane to minimize inductance.

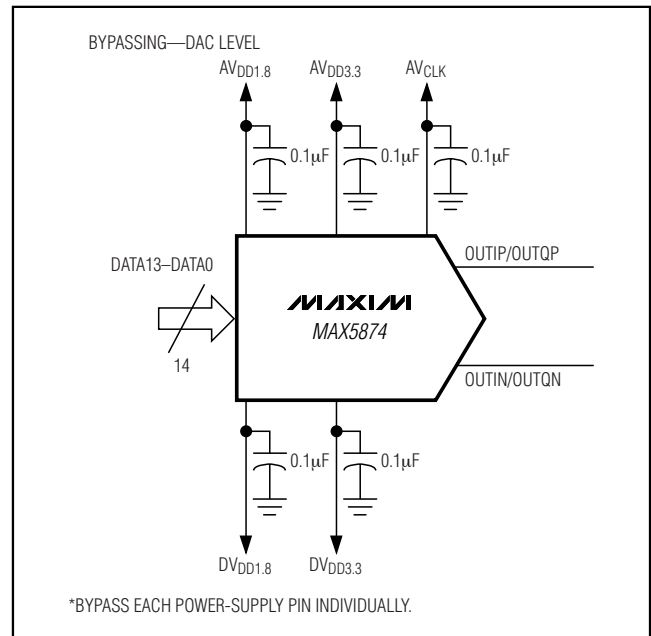


Figure 8. Recommended Power-Supply Decoupling and Bypassing Circuitry

14-Bit, 200Msps, High-Dynamic-Performance, Dual DAC with CMOS Inputs

Static Performance Parameter Definitions

Integral Nonlinearity (INL)

Integral nonlinearity is the deviation of the values on an actual transfer function from either a best straight-line fit (closest approximation to the actual transfer curve) or a line drawn between the end points of the transfer function, once offset and gain errors have been nullified. For a DAC, the deviations are measured at every individual step.

Differential Nonlinearity (DNL)

Differential nonlinearity is the difference between an actual step height and the ideal value of 1 LSB. A DNL error specification of less than 1 LSB guarantees a monotonic transfer function.

Offset Error

The offset error is the difference between the ideal and the actual offset current. For a DAC, the offset point is the average value at the output for the two midscale digital input codes with respect to the full scale of the DAC. This error affects all codes by the same amount.

Gain Error

A gain error is the difference between the ideal and the actual full-scale output voltage on the transfer curve, after nullifying the offset error. This error alters the slope of the transfer function and corresponds to the same percentage error in each step.

Dynamic Performance Parameter Definitions

Signal-to-Noise Ratio (SNR)

For a waveform perfectly reconstructed from digital samples, the theoretical maximum SNR is the ratio of the full-scale analog output (RMS value) to the RMS quantization error (residual error). The ideal, theoretical minimum can be derived from the DAC's resolution (N bits):

$$\text{SNR} = 6.02 \times N + 1.76$$

However, noise sources such as thermal noise, reference noise, clock jitter, etc., affect the ideal reading; therefore, SNR is computed by taking the ratio of the RMS signal to the RMS noise, which includes all spectral components minus the fundamental, the first four harmonics, and the DC offset.

Noise Spectral Density

The DAC output noise floor is the sum of the quantization noise and the output amplifier noise (thermal and shot noise). Noise spectral density is the noise power in 1Hz bandwidth, specified in dBFS/Hz.

Spurious-Free Dynamic Range (SFDR)

SFDR is the ratio of RMS amplitude of the carrier frequency (maximum signal components) to the RMS value of their next-largest distortion component. SFDR is usually measured in dBc and with respect to the carrier frequency amplitude or in dBFS with respect to the DAC's full-scale range. Depending on its test condition, SFDR is observed within a predefined window or to Nyquist.

Two-Tone Intermodulation Distortion (IMD)

The two-tone IMD is the ratio expressed in dBc (or dBFS) of the worst 3rd-order (or higher) IMD product(s) to either output tone.

Adjacent Channel Leakage Power Ratio (ACLR)

Commonly used in combination with wideband code-division multiple-access (W-CDMA), ACLR reflects the leakage power ratio in dB between the measured power within a channel relative to its adjacent channel. ACLR provides a quantifiable method of determining out-of-band spectral energy and its influence on an adjacent channel when a bandwidth-limited RF signal passes through a nonlinear device.

Settling Time

The settling time is the amount of time required from the start of a transition until the DAC output settles its new output value to within the converter's specified accuracy.

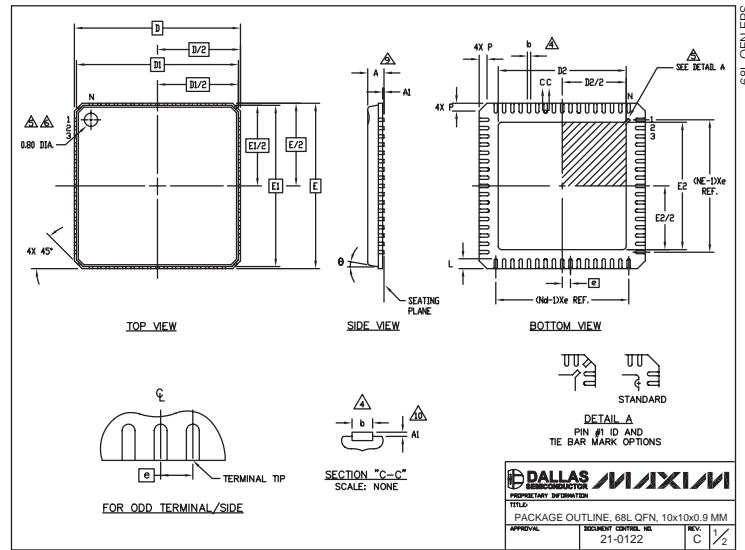
Glitch Impulse

A glitch is generated when a DAC switches between two codes. The largest glitch is usually generated around the midscale transition, when the input pattern transitions from 011...111 to 100...000. The glitch impulse is found by integrating the voltage of the glitch at the midscale transition over time. The glitch impulse is usually specified in pV•s.

14-Bit, 200Mps, High-Dynamic-Performance, Dual DAC with CMOS Inputs

Package Information

(The package drawing(s) in this data sheet may not reflect the most current specifications. For the latest package outline information, go to www.maxim-ic.com/packages.)



Revision History

Pages changed at Rev 2: 1-16

Maxim cannot assume responsibility for use of any circuitry other than circuitry entirely embodied in a Maxim product. No circuit patent licenses are implied. Maxim reserves the right to change the circuitry and specifications without notice at any time.

16 **Maxim Integrated Products, 120 San Gabriel Drive, Sunnyvale, CA 94086 408-737-7600**

MAX5874

14-Bit, 200Msps, High-Dynamic-Performance, Dual DAC with CMOS Inputs

[QuickView](#)

[Technical Documents](#)

[Ordering Info](#)

[More Information](#)

[All](#)

Ordering Information

Notes:

1. Other options and links for purchasing parts are listed at: <http://www.maxim-ic.com/sales>.
2. [Didn't Find What You Need?](#) Ask our applications engineers. Expert assistance in finding parts, usually within one business day.
3. Part number suffixes: T or T&R = tape and reel; + = RoHS/lead-free; # = RoHS/lead-exempt. More: See [Full Data Sheet](#) or [Part Naming Conventions](#).
4. * Some packages have variations, listed on the drawing. "PkgCode/Variation" tells which variation the product uses.

Devices: 1-4 of 4

| MAX5874 | Free Sample | Buy | Package: TYPE PINS FOOTPRINT DRAWING CODE/VAR * | Temp | RoHS/Lead-Free? Materials Analysis |
|---------------|--------------------------|--------------------------|---|--------------|--|
| MAX5874EGK-D | <input type="checkbox"/> | <input type="checkbox"/> | QFN;68 pin;100 mm Dwg: 21-0122C (PDF) Use pkgcode/variation: G6800-4* | -40C to +85C | RoHS/Lead-Free: No Materials Analysis |
| MAX5874EGK-TD | <input type="checkbox"/> | <input type="checkbox"/> | QFN;68 pin;100 mm Dwg: 21-0122C (PDF) Use pkgcode/variation: G6800-4* | -40C to +85C | RoHS/Lead-Free: No Materials Analysis |
| MAX5874EGK+D | <input type="checkbox"/> | <input type="checkbox"/> | QFN;68 pin;100 mm Dwg: 21-0122C (PDF) Use pkgcode/variation: G6800+4* | -40C to +85C | RoHS/Lead-Free: Lead Free Materials Analysis |
| MAX5874EGK+TD | <input type="checkbox"/> | <input type="checkbox"/> | QFN;68 pin;100 mm Dwg: 21-0122C (PDF) Use pkgcode/variation: G6800+4* | -40C to +85C | RoHS/Lead-Free: Lead Free Materials Analysis |

Didn't Find What You Need?

- [Next Day Product Selection Assistance from Applications Engineers](#)
- [Parametric Search](#)
- [Applications Help](#)

QuickView

[Description](#)
[Key Features](#)
[Applications/Uses](#)
[Key Specifications](#)
[Diagram](#)

Technical Documents

[Data Sheet](#)
[Application Notes](#)
[Design Guides](#)
[Engineering Journals](#)
[Reliability Reports](#)
[Software/Models](#)
[Evaluation Kits](#)

Ordering Info

[Price and Availability](#)
[Samples](#)
[Buy Online](#)
[Package Information](#)
[Lead-Free Information](#)

More Information

[Related Products](#)
[Notes and Comments](#)
[Evaluation Kits](#)

Document Ref.: 19-3514; Rev 2; 2007-03-14
 This page last modified: 2007-03-14

[CONTACT US: SEND US AN EMAIL](#)

X-ON Electronics

Largest Supplier of Electrical and Electronic Components

Click to view similar products for [Digital to Analog Converters - DAC category](#):

Click to view products by [Maxim manufacturer](#):

Other Similar products are found below :

[5962-8871903MYA](#) [5962-8876601LA](#) [5962-89697013A](#) [5962-89932012A](#) [PM7545FPCZ](#) [AD5681RBCPZ-1RL7](#) [AD664TE/883B](#)
[AD9115BCPZRL7](#) [AD9162BBCA](#) [AD664AJ](#) [AD664BJ](#) [AD7534JPZ](#) [TCC-103A-RT](#) [057536E](#) [5962-87700012A](#) [5962-89657023A](#)
[702423BB](#) [TCC-103B-RT](#) [AD664BE](#) [MAX5853ETL+T](#) [MAX5801AUB+](#) [AD9116BCPZRL7](#) [AD9121BCPZRL](#) [AD9148BBPZRL](#)
[MAX5110GTJ+](#) [MAX5702BAUB+](#) [DS4412U+T&R](#) [MAX5364EUT+T](#) [MAX5858AECM+D](#) [AD5821ABCBZ-REEL7](#) [MX7528KP+](#)
[MAX5858ECM+D](#) [MAX5138BGTE+T](#) [MX7845JN+](#) [MAX5856AECM+D](#) [MX7528JP+](#) [TCC-303A-RT](#) [MAX5112GTJ+](#) [DS3911T+T](#)
[MAX5805BAUB+T](#) [MAX5705BAUB+T](#) [AD5679RBCPZ-2](#) [AD5674RBCPZ-2](#) [AD5770RBCBZ-RL7](#) [MAX5715BAUD+T](#)
[MAX5825AWP+T](#) [MAX5105EEP+T](#) [AD5413BCPZ](#) [AD5721BRUZ-RL7](#) [DAC8229FSZ-REEL](#)