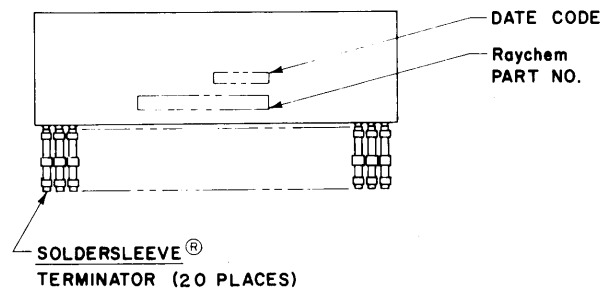
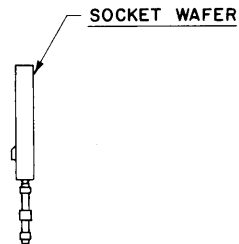
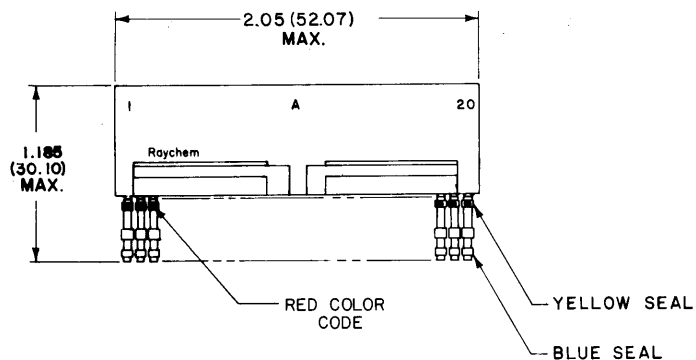
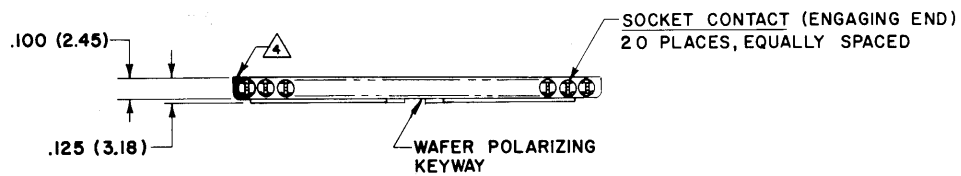


REVISIONS			
LTR	DESCRIPTION	DATE	APPROVED
A	REVISED PER ECN # T-17670	9/2 Aug 10	B



5 WEIGHT (MAX.): LBS. | GRAMS
.0109 | 4.944

4 SOCKET NUMBER ONE IS MARKED IN CONTRASTING COLOR.

3. FINISH:
- 3-A SOCKET WAFER; FINISH TO BE AS MOLDED.
 - 3-B SOCKET CONTACT; GOLD PLATE PER MIL-G-45204 CLASS I. (ENGAGING END)
 - 3-C CONTACT TAIL; COATED WITH Sn63 SOLDER PER QQ-S-571
2. MATERIAL:
- 2-A SOCKET WAFER; HIGH GRADE POLYARYLENE THERMOPLASTIC.
 - 2-B SOCKET CONTACT; COPPER ALLOY PER QQ-B-750.
 - 2-C SOLDERSLEEVE® TERMINATOR; REFER TO RAYCHEM DWG. CTA-0068 FOR DATA.

1. THIS WAFER ASSEMBLY USED IN MTC100 CONNECTORS.

NOTES:

SPECIFICATION CONTROL DRAWING Raychem Corporation 1983

DRAWN	HAWKINGS	11-16-83	Raychem	RAYCHEM CORPORATION 300 CONSTITUTION DRIVE MENLO PARK, CALIFORNIA 94025	
CHECKED	JB			TITLE	WAFER ASSEMBLY, SOCKET, "A" STYLE, 2", 20 CONTACTS, WITH OVAL ENTRY FOR 20-26 AWG. TEMP. RATING 125°C MTC100 SERIES
APPROVED	Plan	12-2-83	SIZE	USE IDENT NO.	DWG NO.
APPROVED	Plan	12-2-83	C	06090	MTC100-JA2-S14
UNLESS OTHERWISE SPECIFIED DIMENSIONS ARE IN INCHES ± .005 METRIC DIMENSIONS ARE IN PARENTHESES (MM)			WEIGHT	5	SHEET 1 OF 1
DO NOT SCALE THIS DRAWING					

X-ON Electronics

Largest Supplier of Electrical and Electronic Components

Click to view similar products for [High Speed/Modular Connectors](#) category:

Click to view products by [TE Connectivity](#) manufacturer:

Other Similar products are found below :

[2332816-1](#) [89006-1137LF](#) [650827-1](#) [65762-001LF](#) [73474-201LF](#) [74040-1346](#) [74075-0267](#) [88911-201LF](#) [9514M0C20D](#) [1410191-1](#)
[1410337-1](#) [1410368-3](#) [1410964-2](#) [1410326-3](#) [1410367-3](#) [1410971-4](#) [1467833-1](#) [2000877-1](#) [2000878-1](#) [2041314-1](#) [2065387-1](#) [2187307-1](#)
[2187462-1](#) [2226278-6](#) [KA81-07](#) [91290-101LF](#) [1934290-1](#) [2000875-1](#) [2065917-1](#) [2102736-2](#) [FSR-40](#) [2169868-2](#) [2226279-2](#) [22354-8](#) [437-](#)
[5040-000](#) [5-1393565-0](#) [532449-3](#) [532803-2](#) [34745-0001](#) [0740618502](#) [0760151403](#) [0760551105](#) [0760551608](#) [0761451128](#) [0761651124](#)
[0761655108](#) [0761659807](#) [0769853208](#) [0736440217](#) [0758324203](#)