

HC/49US (AT49) MICROPROCESSOR CRYSTAL

ABL Series



Moisture Sensitivity Level (MSL) – This product is Hermetically Sealed and not Moisture Sensitive - MSL = N/A: Not Applicable

FEATURES:

- High reliability & Low Cost
- Tight stability & extended temperature
- Proven resistance welded metal package

APPLICATIONS:

- Home electronics
- Computers, modems, and communications
- High-precision TCXO and clock applications
- Microprocessors

▷ **STANDARD SPECIFICATIONS:**

Parameters	Minimum	Typical	Maximum	Units	Notes
Frequency Range	3.579545		70		
Operation mode	3.579545		33.999	MHz	Fundamental AT-cut (Standard)
	34.00		70.00		3 rd OT AT-cut (Standard)
	24.01		50.00		Fundamental AT-cut (See options)
Operating Temperature	0		+70	°C	See options
Storage Temperature	-55		+125	°C	
Frequency Tolerance	-50		+50	ppm	See options
Frequency Stability over the Operating Temperature (ref. to +25°C)	-50		+50	ppm	See options
Equivalent series resistance (R1)	See table 1 below			Ω	
Shunt capacitance (C0)			7	pF	
Load capacitance (CL)		18		pF	See options
Drive Level		100	1000	μW	
Aging @ 25°C per year			±5	ppm	
Insulation Resistance	500			MΩ	@ 100Vdc ± 15V
Drive Level Dependency (DLD, Minimum 7 points tested: from 1μW to 500μW)			±10	ppm	Δfrequency (Max – Min)
			25% of Max ESR	Ω	ΔESR (Max – Min)
			Max ESR in Table 1	Ω	Max ESR over DLD range

Table 1

Frequency (MHz)	ESR(Ω) max.
3.579 - 4.999 (Fund.)	180
5.000 - 5.999 (Fund.)	120
6.000 - 7.999 (Fund.)	100
8.000 - 8.999 (Fund.)	80
9.000 - 9.999 (Fund.)	60
10.000 - 15.999 (Fund.)	50
16.000 - 50.000 (Fund.)	40
34.000 - 70.00 (3rd O/T)	80

REVISED: 03.27.2018



5101 Hidden Creek Lane Spicewood TX 78669
 Phone: 512-371-6159 | Fax: 512-351-8858
 For terms and conditions of sale please visit:
www.abracon.com

ABRACON IS
 ISO9001-2008
 CERTIFIED

HC/49US (AT49) MICROPROCESSOR CRYSTAL

ABL Series



11.5 x 5.0 x 3.5 mm

OPTIONS AND PART IDENTIFICATION:

(Left blank if standard)

ABL - MHz - - - - - -

Frequency in MHz
Please specify the frequency in xx.xxxxMHz.
e.g. 14.3181MHz

Load Capacitance (pF)
Please specify CL (Minimum 10pF) in pF or S for series

Custom ESR if other than standard
R
□: Specify a value in Ω (e.g.: R40)

Packaging
Blank: Bulk
T: Tape & Reel
TRAY: Tray

Value Added	
I	Insulator Tab
L2	Middle 3rd lead
QXX	Trimmed leads
Q15	for 0.15" length

Oscillation Mode
F: Fund. AT>24MHz

Operating Temp.
A: -10°C ~ +60°C
B: -20°C ~ +70°C
C: -30°C ~ +70°C
N: -30°C ~ +85°C
D: -40°C ~ +85°C
J*: -40°C ~ +105°C
K*: -40°C ~ +125°C
L*: -55°C ~ +125°C

Freq. Tolerance
H5: ± 5 ppm
1: ± 10 ppm
7: ± 15 ppm
2: ± 20 ppm
3: ± 25 ppm
4: ± 30 ppm

Freq. Stability
U**: ± 10 ppm
G: ± 15 ppm
X: ± 20 ppm
W: ± 25 ppm
Y: ± 30 ppm
H: ± 35 ppm
Q: ± 100 ppm
R: ± 150 ppm

NOTE:

* Frequency stability ±50ppm, ±100ppm, ±150ppm only. Contact ABRACON for tighter frequency stability.

** Contact ABRACON for availability of ±10ppm with other operating temperature options.



5101 Hidden Creek Lane Spicewood TX 78669
Phone: 512-371-6159 | Fax: 512-351-8858
For terms and conditions of sale please visit:
www.abracon.com

REVISED: 03.27.2018

ABRACON IS
ISO9001-2008
CERTIFIED

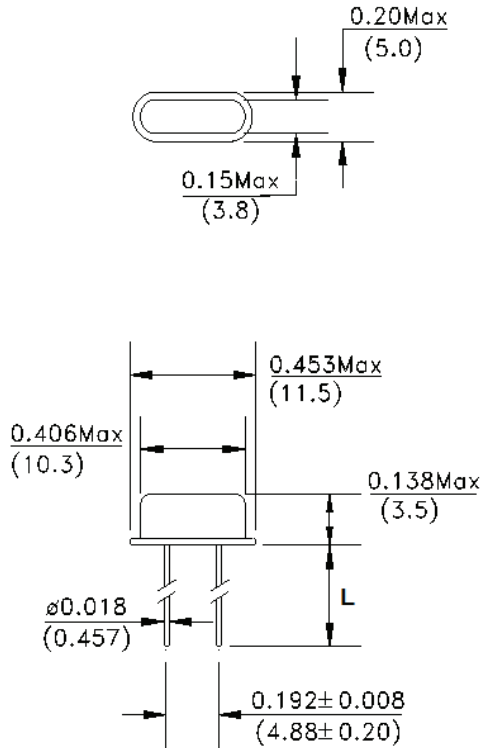
HC/49US (AT49) MICROPROCESSOR CRYSTAL

ABL Series

 RoHS/RoHS II



OUTLINE DRAWING:

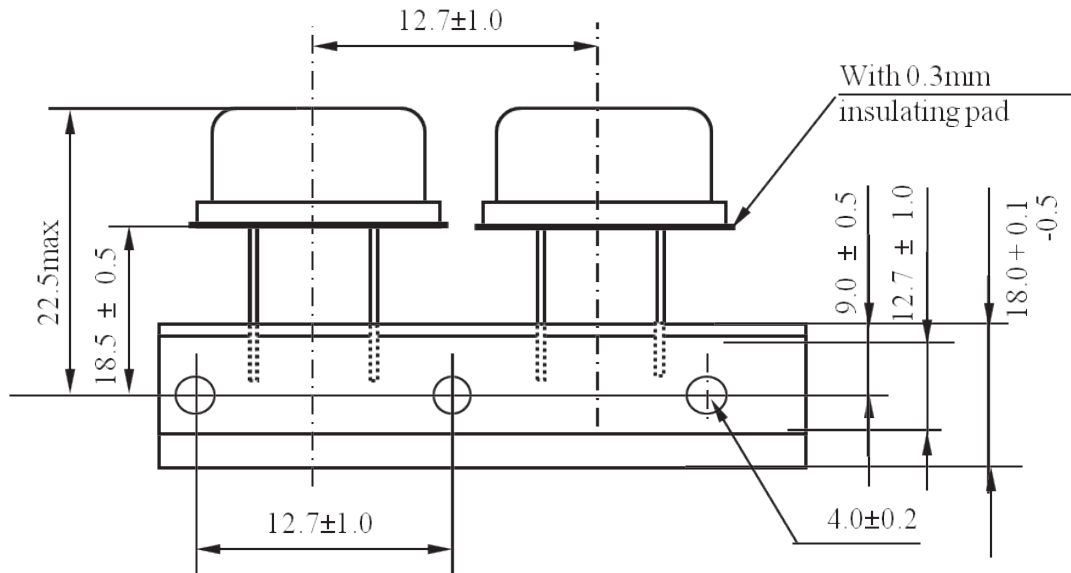


L	Packaging
5.5mm Min	Bulk
20.0 ± 0.5mm	Tape & Reel

Dimensions: inch (mm)

TAPE & REEL:

T= Tape and reel (1,000pcs/reel)



Dimensions: mm

X-ON Electronics

Largest Supplier of Electrical and Electronic Components

Click to view similar products for [Crystals](#) category:

Click to view products by [ABRACON](#) manufacturer:

Other Similar products are found below :

[CS325S24000000ABJT](#) [718-13.2-1](#) [MC405 32.0000K-R3:PURE SN](#) [FC-135R 32.7680KF-A3](#) [7A-40.000MAAE-T](#) [7B-27.000MBBK-T](#)
[FL2000085](#) [9B-15.360MBBK-B](#) [9C-7.680MBBK-T](#) [ASH7K-32.768KHZ](#) [AT-41.600MAGQ-T](#) [BTD1062E05A-513](#) [LFX TAL066198Cutt](#)
[9C-14.31818MBBK-T](#) [FA-238 50.0000MB30X-K3](#) [FC-12M 32.7680KA-AC3](#) [SSPT7F-9PF20-R](#) [FX325BS-38.88EEM1201](#)
[LFX TAL065253Cutt](#) [LFX TAL066431Cutt](#) [XT9S20ANA14M7456](#) [XT9SNLANA16M](#) [646G-24-2](#) [7A-24.576MBBK-T](#) [7B-30.000MBBK-T](#)
[WX26-32.768K-6PF](#) [9B-14.31818MBBK-B](#) [CD1AM](#) [7B-25.000MAAE-T](#) [7A-14.31818MBBK-T](#) [6504-202-1501](#) [6526-202-1501](#) [FA-118T](#)
[27.1200MB50P-K0](#) [FC-135R 32.7680KA-A3](#) [ABM12-104-37.400MHZT](#) [ABLS-10.000MHZ-D3W-T](#) [BTJ112E01E-513](#) [BTJ722K01C-7067](#)
[BTL-20-513](#) [TSX-3225 24.0000MF15X-AC](#) [TSX-3225 16.0000MF18X-AC](#) [BTJ120E02C](#) [BTL-12-513](#) [7A-10.000MBBK-T](#) [7A-](#)
[11.0592MBBK-T](#) [ABM12-103-24.000MHZT](#) [CS325S25000000ABJT](#) [ABM3B-25.000MHZ-B2-X-T](#) [FC-135 32.7680KA-A5](#) [FX0800015](#)