



POLYAMIDE TERMINAL BLOCK

FLEXIBLE CONDUIT SYSTEMS

Introduction

The Terminal Block ranges from ElKay offer flexibility and versatility. Suitable for domestic, commercial and industrial applications with.

- Wide range of approvals
- Raised or level base options
- With or without wire protector options
- Printing & Cutting Service available

SPECIFICATIONS

Materials

Housings White Polyamide 6
Terminal Screws Galvanised Steel

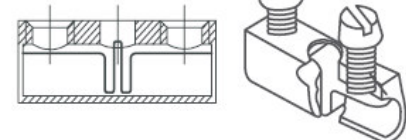
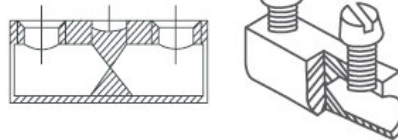
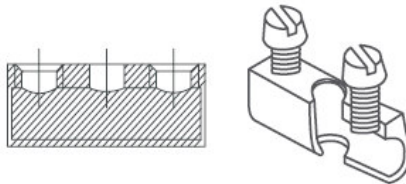
Fire Performance

Material Properties Halogen Free
Flammability UL94 - V0



Terminal Inserts

Available in **Standard Type**, in which the conductor can pass through the complete insert and **'T' Type** in which there is an integral barrier to prevent the over insertion of conductors. Available with or without wire protector, see below.



Wire Protectors

Wire protectors help to prevent damage to the stranded conductor when the screw is tightened, thereby ensuring a safe and secure connection. Inserts in plated brass.

Specifications: STANDARD TYPE

Material Plated Brass
Insert Style Conductors can be inserted from both ends

Specifications: 'T' TYPE

Material Plated Brass
Insert Style Integral barrier prevents over insertion of conductors

Specifications: TYPE 001

Material Stainless Steel
Insert Style Wire protector with no integral barrier
Availability 1512, 6012, 10012, 16012

Terminal Screws

The polyamide range of terminal blocks listed are fitted with zinc plated screws, passivated. Nickel plated brass screws are available to special order.

Screw Sizes

1512 Series M2.6x8
4012 Series M3x8
6012 Series M3.5x8

Screw Sizes

10012 Series M4x8
16012 Series M5x8.8



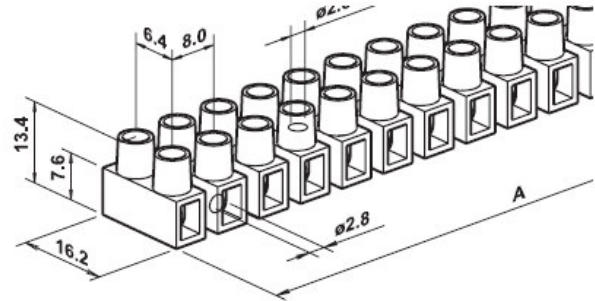
POLYAMIDE TERMINAL BLOCK

FLEXIBLE CONDUIT SYSTEMS

1512 - 2.5mm² Polyamide Terminal Blocks

SPECIFICATIONS

Nominal clamping area	2.5mm ²
Nominal voltage	450V
Max. ambient temperature	PA T85
Inserts	Galvanised Brass
Screws	Galvanised Steel

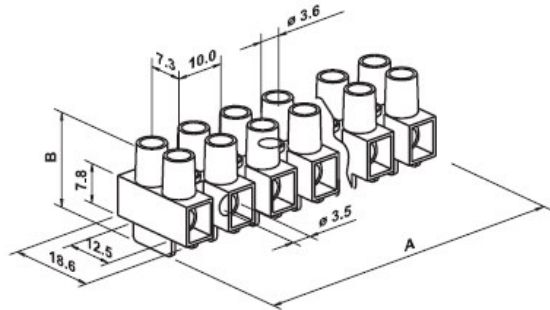


Part No.	Base	Wire Protector	'T' Insert	No. Poles	Width A mm	Rating	Pack Qty
1512LE	LEVEL	-	-	12 POLE	94	14A	10
1512/151E	RAISED	YES	-	12 POLE	94	14A	10
1512LTE	LEVEL	-	YES	12 POLE	94	14A	10
1512TE	RAISED	-	YES	12 POLE	94	14A	10

4012 - 4mm² Polyamide Terminal Blocks

SPECIFICATIONS

Nominal clamping area	4mm ²
Nominal voltage	450V
Max. ambient temperature	PA T85
Inserts	Galvanised Brass
Screws	Galvanised Steel

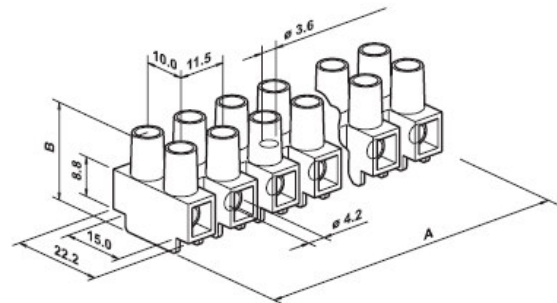


Part No.	Base	Wire Protector	'T' Insert	No. Poles	Width A mm	Height B mm	Rating	Pack Qty
4012LE	LEVEL	-	-	12 POLE	117	15	25A	10
4012/401E	RAISED	YES	-	12 POLE	117	18.5	25A	10
4012LTE	LEVEL	-	YES	12 POLE	117	15	25A	10
4012LT/402E	LEVEL	YES	YES	12 POLE	117	15	25A	10
4012TE	RAISED	-	YES	12 POLE	117	18.5	25A	10

6012 - 6mm² Polyamide Terminal Blocks

SPECIFICATIONS

Nominal clamping area	6mm ²
Nominal voltage	450V
Max. ambient temperature	PA T85
Inserts	Galvanised Brass
Screws	Galvanised Steel



Part No.	Base	Wire Protector	'T' Insert	No. Poles	Width A mm	Height B mm	Rating	Pack Qty
6012/601E	RAISED	YES	-	12 POLE	133.7	20.8	32A	10
6012TE	RAISED	-	YES	12 POLE	133.7	20.8	32A	10
6012L/601E	LEVEL	YES	-	12 POLE	133.7	19.3	32A	10
6012LE	LEVEL	-	-	12 POLE	133.7	19.3	32A	10



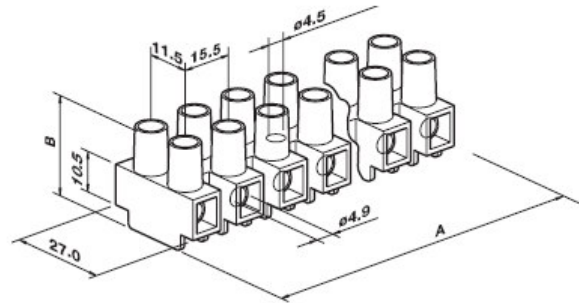
POLYAMIDE TERMINAL BLOCK

FLEXIBLE CONDUIT SYSTEMS

10012 Polyamide Terminal Blocks

SPECIFICATIONS

Nominal clamping area	10mm ²
Nominal voltage	450V
Max. ambient temperature	PA T85
Inserts	Galvanised Brass
Screws	Galvanised Steel

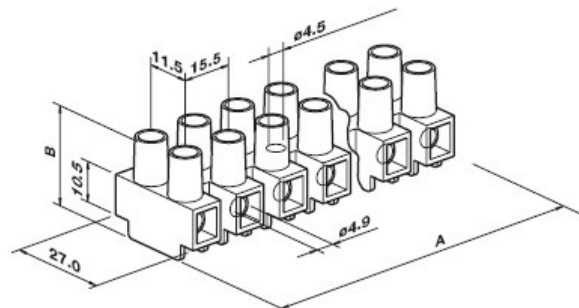


Part No.	Base	Wire Protector	'T' Insert	No. Poles	Width A mm	Height B mm	Rating	Pack Qty
10012/1001	RAISED	YES	-	12 POLE	180	28	45A	10
10012L	LEVEL	-	-	12 POLE	180	22	45A	10
10012L/1001	LEVEL	YES	-	12 POLE	180	22	45A	10
10012	RAISED	-	-	12 POLE	180	28	45A	10

16012 - 16mm Polyamide Terminal Blocks

SPECIFICATIONS

Nominal clamping area	16mm ²
Nominal voltage	450V
Max. ambient temperature	PA T85
Inserts	Galvanised Brass
Screws	Galvanised Steel



Part No.	Base	Wire Protector	'T' Insert	No. Poles	Width A mm	Height B mm	Rating	Pack Qty
16012	RAISED	-	-	12 POLE	180	28	60A	10
16012LT	LEVEL	-	YES	12 POLE	180	22	60A	10
16012/1601	RAISED	YES	-	12 POLE	180	28	60A	10
16012L/1601	LEVEL	YES	-	12 POLE	180	22	60A	10
16012T	RAISED	-	YES	12 POLE	180	28	60A	10
16012L	LEVEL	-	-	12 POLE	180	22	60A	10

Fixing Pins

Fixing pins are simply pushed in to secure raised base 4012 & 6012 series terminal blocks to panels of up to 1mm thickness.

Part No.	Descn	Pack Qty
998	Fixing Pins	1000

X-ON Electronics

Largest Supplier of Electrical and Electronic Components

Click to view similar products for [elkay manufacturer](#):

Other Similar products are found below :

[550B-1](#) [AQUASAFE](#) [PFCC-1](#) [041852X](#) [041854F](#) [041874R](#) [1278](#) [1276-18](#) [2001/4/CG/4](#)