

VEROTEC

Electronics Packaging



VEROTEC Cases

CUSTOM VEROTEC CASES

TecServ+ is the vehicle by which Verotec delivers its value added services. These fall within 5 main categories and are described below. When it comes to Verotec Cases, we've worked with many customers in the past to design, manufacture and help bring to market modified and custom versions of our standard products – a small selection of these are pictured below. If you have any special Verotec Case requirements, please contact our sales office.



ENGINEERING SERVICES:

- + Complete review of commercial, electro-mechanical, environmental and regulatory product requirements with customer.
- + Import of STEP, IGES, DWG & DXF file formats
- + Mechanical and electrical design using latest CAD software
- + 3D Modelling to allow conceptual testing before production
- + Component selection from a vast library of parts

MANUFACTURING SERVICES:

- + Prototype / pre-production samples using small batch shop
- + Modification of standard catalogue products (including machining, CNC punching, laser cutting, painting & silk-screening)
- + Manufacture of custom / bespoke products (including fabrication, machining, CNC punching, plating, painting & silk-screening)
- + Assembly & kitting of components
- + Integration & mechanical / electrical testing of complex systems

COMPLIANCE SERVICES:

- + Validation of product design and/or specification
- + Advice on environment legislation (RoHS, Reach, WEEE etc.)
- + In-house pre-compliance testing for CE marking (Safety, EMC)
- + Supply of product technical construction file
- + Testing & certification of a product at an approved test house (for EMC, shock & vibration, altitude, temperature, humidity etc.)

LOGISTICAL SERVICES:

- + Express manufacturing service for quick turnaround of urgent orders
- + Special / bespoke packaging for safe transport of goods
- + Scheduled orders (including JIT and KAN BAN systems)
- + Stock holding & distribution
- + Exporting (including export packaging, land/sea/air transportation, freight forwarding, customs documentation & shipping manifests)

PROJECT MANAGEMENT SERVICES:

- + Initial project consultation
- + Capability and feasibility study
- + Estimation of project cost and leadtime
- + Management of design process (specification to validation)
- + Management of manufacturing process (prototype to production)
- + Cost reduction programmes throughout product life cycle



Custom 4U x 19inch Verotec Case with IP sealed front door – telecoms application.



Customised 1U x 10.5 Verotec Case with modified front and rear panel - instrumentation application.



Customised 2U x 10.5 Verotec Case with modified front panel – gas testing application.

Verotec Case - Introduction

INTRODUCTION

The Verotec case offer an excellent combination of technical competence and aesthetic design, making it an ideal packaging solution for high-end electronic instruments. The superior design provides an upgrade path from a basic unit to a high-EMC, IP54 rated enclosure that meets the demands of many environmental requirements. The main assembly screws are hidden discretely beneath clip-in mouldings, meaning there are no visible fixings and your product can be both secure and visually clean.

“Cases” are available in 1U, 2U, 3U & 6U heights in both 10.5” & 19” widths and in a choice of four depths. Integral panel mounts facilitate the mounting of 19” (full width) and 10.5” (half width) panels, subracks & equipment with two colour schemes and ventilation modes available. “Caseframes” are available in 3U & 6U heights in both 42HP & 84HP widths and a choice of two depths. Internal horizontal tiebars allow the direct mounting of Eurocard style PCBs, modules and front panels with two colour schemes available. Accessories include EMC & IP sealing kits, handles, trims, front panels and chassis trays

FEATURES

- Attractive clean design with hidden fixings
- 19 inch equipment practise compatible
- 4 heights, 2 widths and 4 depth options
- Light Grey and Two Tone Anthracite/Light Grey colour options
- Front Cover trims with optional handle extrusion
- Carry handle option for half width 10.5” and full with 19” units
- Optional upgrades for EMC protection and IP 55 environmental sealing
- Range of accessories
- Transparent hinged door available to order on TecServ+
- Caseframe version using KM6-2 Subrack and accessories
- Supplied assembled

ORDERING

Verotec Cases & Caseframe should be ordered as the basic case which will be supplied in a carton and assembled. Selection criteria for cases are size, colour and ventilation and for Caseframes size and colour.

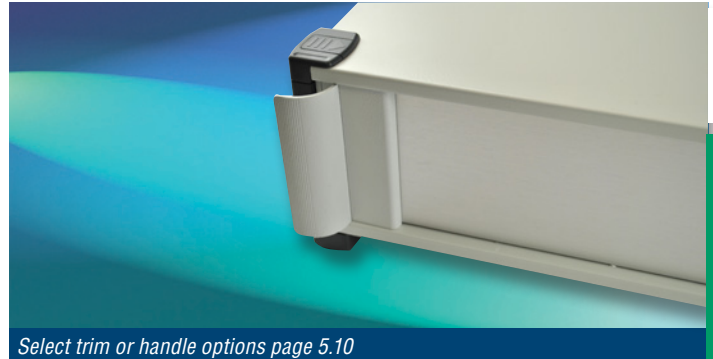
Accessories exclusively for Verotec cases & Caseframes are in the following pages of this section of the handbook. They can be found in the pages shown in the index.

19” panels can be found in section 9 of the handbook whilst Eurocard front panels and accessories in section 2 (these are listed on page 5.14)

Index	Page
TecServ+	5.02
Introduction	5.03
Technical specification	5.04
Overview	5.05
Verotec Case – 1U & 2U	5.06
Verotec Case – 3U & 6U	5.07
Verotec Caseframe – 3U	5.08
Verotec Caseframe – 6U	5.09
Trims, Cover Trims & Handles	5.10
Front & Rear Panels	5.11
EMC/IP Front & Rear Panels	5.12
EMC/IP Seal Kits	5.12
Chassis Tray Support Kits	5.13
Chassis Tray Kits	5.13
Carry Handles	5.13
Hinged Transparent Doors (TecServ+)	5.14
Accessory Index	5.14



Select a Case or Caseframe pages 5.06-5.09



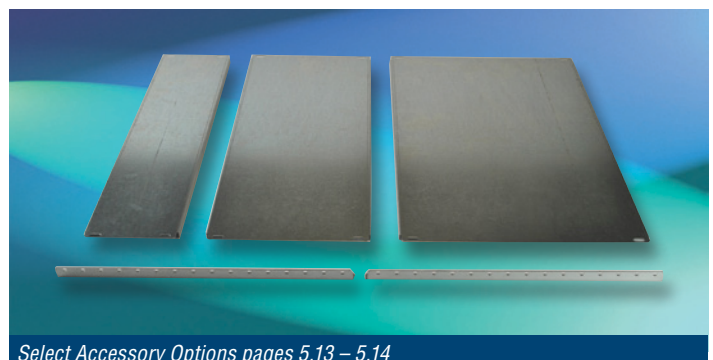
Select trim or handle options page 5.10



Select Front & Rear Panel options page 5.11



Select EMC & IP Options page 5.12



Select Accessory Options pages 5.13 – 5.14

VEROTEC CASES : Technical Specification

MATERIAL SPECIFICATION

Covers & Side Panels:	0.9mm Galvanised Steel Sheet
Corner Extrusions:	Aluminium Alloy
Fixings:	M4 x 16 Csk Head; M4 x 6 Cheese Head
Mouldings:	ABS UL94-V0 Light Grey RAL 7035 or Anthracite RAL 7016

THERMAL MANAGEMENT

Verotec Cases have the option to be supplied with ventilation holes in the base, allowing cool air to be drawn into the case, by natural convection. Vented rear panels may be specified promoting a "through flow" of cool air over the equipment.

In both the base panel and the rear panel the matrix of holes has been design such that in minimises the degradation of the EMC/RFI performance of the case.

In cases of high thermal load Verotec can offer to supply Verotec cases with fans and/or fan apertures on the rear panel supplied as part of the Tecserv+ service

EMC PROTECTION

Verotec Cases have been designed with inherent EMC/RFI protection. Fitted with optional EMC/IP Front and Rear Panels and conductive finger strips the cases will provide a high level of attenuation across a broad frequency range. EMC/IP Front and rear panels are available as optional accessories along with a gasket kit for the Verotec Case

IP PROTECTION

In order to meet a wider range of applications the non-vented Verotec Case can be upgraded to meet IP 54. Fitted with optional EMC/IP Front and Rear panels and IP seals the cases will protect internal equipment from ingress of moisture and dust.

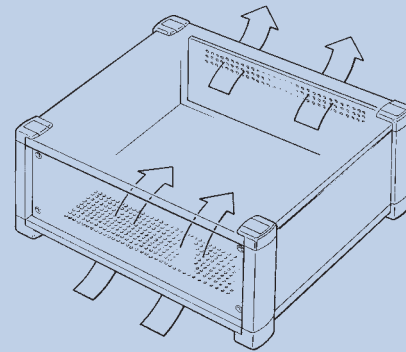
COLOUR SCHEMES

Verotec cases are available in a choice of two colour schemes; RAL 7035 Light Grey and Two-tone RAL 7035 Light Grey / 7016 Anthracite. This applies to both the plastic corner mouldings and metal covers which are painted with epoxy fine textured powder.

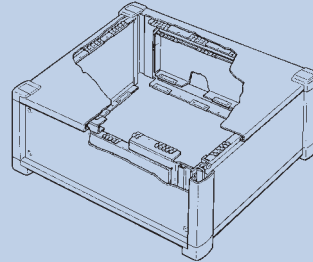


2U, 10.5" (half width) Verotec case

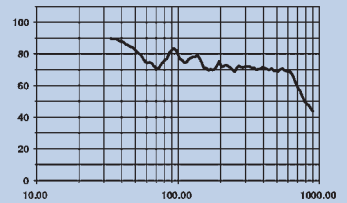
AIRFLOW



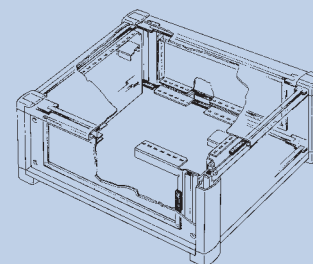
EMC FINGER POSITIONS & CONTACT POINTS



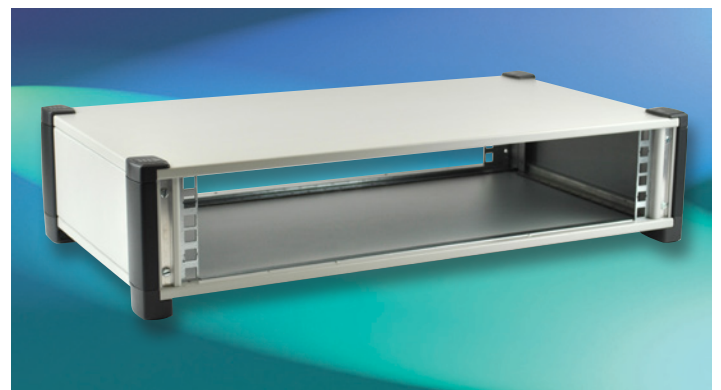
SHIELDING EFFECTIVENESS 50% BecU COVERAGE-E FIELD



IP GASKET POSITIONS



IP	INDEX OF PROTECTION
5	Protected against dust and accidental contact. No dust enters the enclosure in harmful quantities No risk of direct contact with electronic components
4	Protected against water splashes from all sides No water enters the enclosure in harmful amounts



2U, 19" (full width) Verotec case

VEROTEC CASES & CASEFRAMES : Overview

OVERVIEW

Verotec Cases & Caseframes have been designed to offer electronics designers an attractive enclosure with the maximum amount of flexibility for an increased number of applications. As well as 3U and 6U sizes for cases and caseframes, (which tends to be the industry standard for eurocard based products), the Verotec case is also available in 1U and 2U heights, which are ideally suited to smaller bespoke instruments.

Finally a key feature of the Verotec Case is its ability to be "upgraded" to give an improved EMC and IP rating. This is achieved by adding front and rear EMC/IP panels and gaskets, either EMC or IP or both.

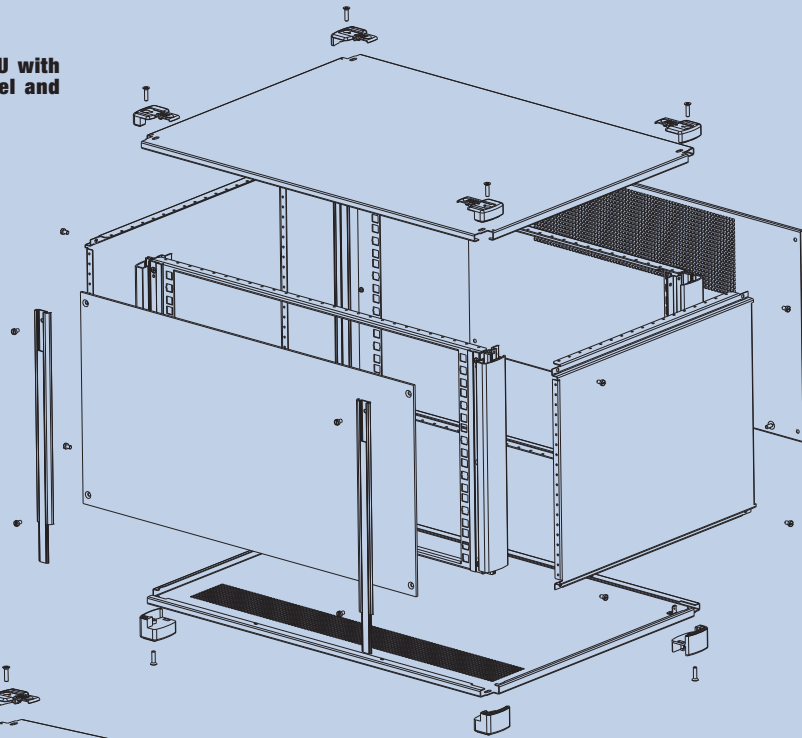
APPLICATIONS

- Instrumentation
- Electronics
- Portable Measuring Equipment
- Integrated Systems
- Medical Equipment

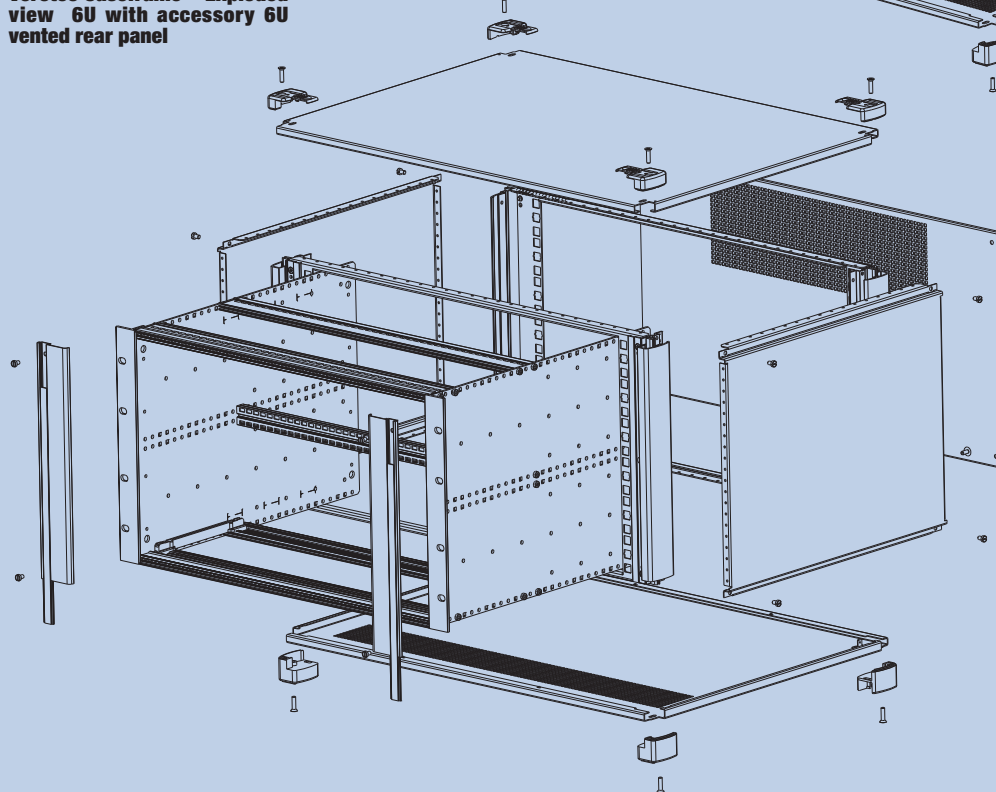


1U and 2U Verotec case

Verotec Case – Exploded View 6U with accessory front panel, rear panel and trims.



Verotec Caseframe – Exploded view 6U with accessory 6U vented rear panel



Verotec Case: 1U & 2U Cases

Verotec Cases offer an excellent combination of technical competence and aesthetic design. Equipment can be housed in a standard full width (19inch) or half width (10.5 inch) envelope either 1U & 2U high and up to 300mm deep. The Verotec case is ideally suited to desktop or workbench mounting. With the extruded corners, cover mouldings and tilt feet it is readily stacked for multi instrument applications. The tilt feet provide an excellent facility for viewing front panel displays and can be easily raised or lowered as required.

The Verotec case is available in a range of sizes to offer an enclosure solution to the greatest number of instrument applications. Ventilation is provided by a matrix of holes in the base which when a rear panel is added provide a through flow of cool air. To enhance its visual appeal the case is offered in two colour options. Either as single colour Light grey RAL 7025 or Two Tone Light Grey RAL 7035 and Anthracite RAL 7016.

FEATURES

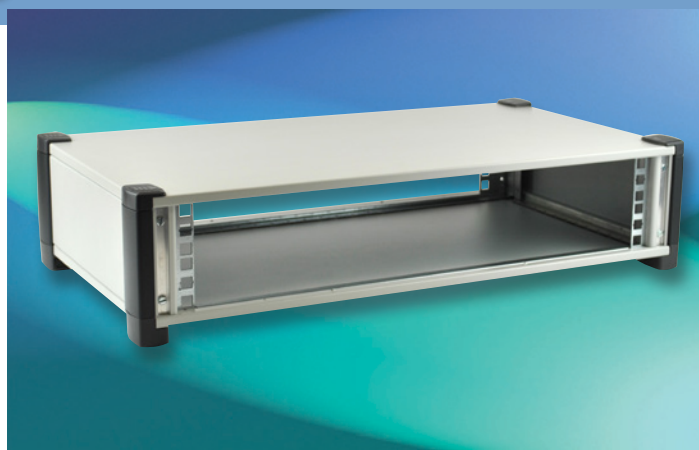
- Heights: 1U & 2U
- Widths: Full Width 19 inch & Half Width 10.5 Inch
- Depths: 260mm & 300mm
- Optional Vented base panel
- Optional Single colour Light Grey or Two Tone Light Grey & Anthracite
- Powder painted in textured finish for high scratch resistance
- Tilt foot fitted to front foot moulding
- Hidden fixings under clip in mouldings
- Upgrades for EMC and Environmental protection

CONTENTS OF CASE

1	Top Cover
1	Bottom Cover (Vented/Unvented)
2	Side Panels
4	Corner extrusions (internal)
4	Corner extrusions (external)
2	Front & Rear Frame
4	Foot Moulding
2	Tilt Foot Moulding
4	Cover Moulding with clip in covers
1	Set of fixings

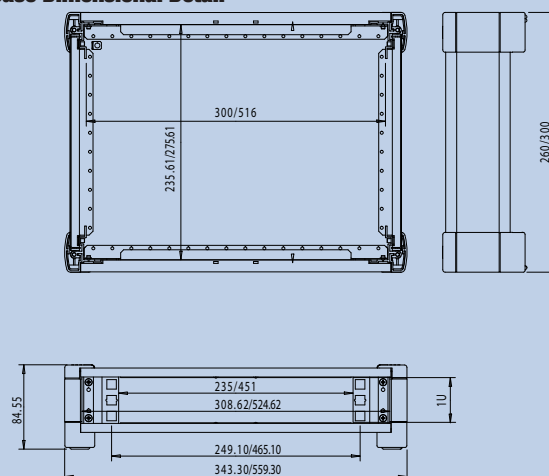
ORDERING INFORMATION

Height	Width	Depth	Colour	Vented	Unvented
1U	10.5	260	Two Tone	70-4003608	70-4003974
1U	10.5	260	Light Grey	70-4003962	70-4003980
1U	19	300	Two Tone	70-4003609	70-4003975
1U	19	300	Light Grey	70-4003963	70-4003981
2U	10.5	260	Two Tone	70-4003610	70-4003976
2U	10.5	260	Light Grey	70-4003964	70-4003982
2U	19	300	Two Tone	70-4003611	70-4003977
2U	19	300	Light Grey	70-4003965	70-4003983

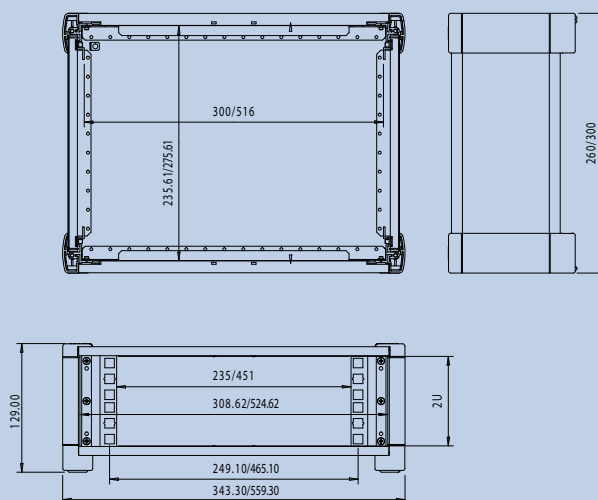


2U, 19" VEROTEC CASES

1U Case Dimensional Detail



2U Case Dimensional Detail



Verotec Case: 3U & 6U Cases

Verotec Cases offer an excellent combination of technical competence and aesthetic design. Equipment can be housed in a standard full width (19inch) or half width (10.5 inch) enveloped either 3U or 6U high and up to 500mm deep. The Verotec case is ideally suited to desktop or workbench mounting. With the extruded corners, cover mouldings and tilt feet it is readily stacked for multi instrument applications. The tilt feet provide an excellent facility for viewing front panel displays and can be easily raised or lowered as required.

The Verotec case is available in a range of sizes to offer an enclosure solution to the greatest number of instrument applications. Ventilation is provided by a matrix of holes in the base which when a rear panel is added provide a through flow of cool air. To enhance its visual appeal the case is offered in two colour options. Either as single colour Light grey RAL 7025 or Two Tone Light Grey RAL 7035 and Anthracite RAL 7016.

FEATURES

- Heights: 3U & 6U
- Widths: Full Width 19 inch & Half Width 10.5 Inch
- Depths: 300mm, 400mm & 500mm
- Optional Vented base panel
- Optional Single colour Light Grey or Two Tone Light Grey & Anthracite
- Powder painted in textured finish for high scratch resistance
- Tilt foot fitted to front foot moulding
- Hidden fixings under clip in mouldings
- Upgrades for EMC and Environmental protection

CONTENTS OF CASE

1	Top Cover
1	Bottom Cover (Vented/Unvented)
2	Side Panels
4	Corner extrusions (internal)
4	Corner extrusions (external)
2	Front & Rear Frame
4	Foot Moulding
2	Tilt Foot Moulding
4	Cover Moulding with clip in covers
1	Set of fixings

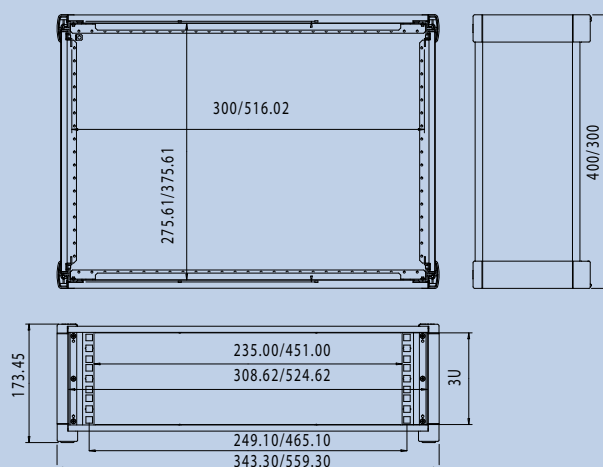
ORDERING INFORMATION

Height	Width	Depth	Colour	Vented	Unvented
3U	10.5	300	Two Tone	70-4003612	70-4003978
3U	10.5	300	Light Grey	70-4003966	70-4003984
3U	19	400	Two Tone	70-4003613	70-4003979
3U	19	400	Light Grey	70-4003967	70-4003985
6U	10.5	400	Two Tone	70-4004343	70-4004527
6U	10.5	400	Light Grey	70-4004352	70-4004528
6U	19	500	Two Tone	70-4004348	70-4004529
6U	19	500	Light Grey	70-4004357	70-4004530

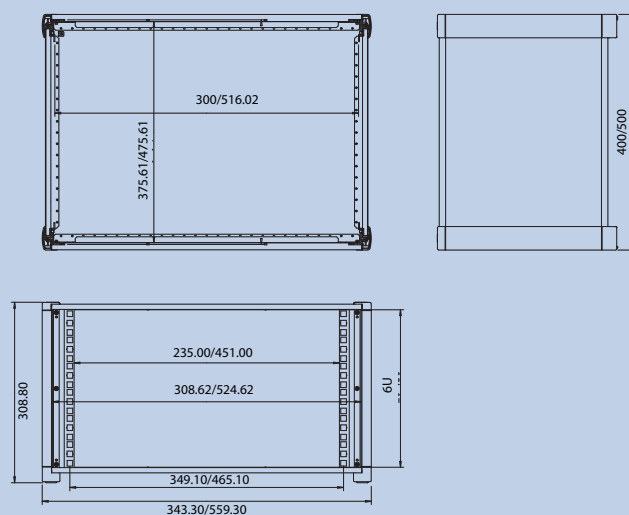


3U, 19" VEROTEC CASES

3U Case/Caseframe Dimensional Detail



6U Case/Caseframe Dimensional Detail



Verotec Case: 3U Caseframes 42 & 84 hp

Verotec Caseframes offer an excellent combination of technical competence and aesthetic design. Eurocards can be housed in a standard 84 hp or 42 hp width either 3U or 6U high and up to 500mm deep. The Verotec caseframe is ideally suited to desktop or workbench mounting. With the extruded corners, cover mouldings and tilt feet it is readily stacked for multi instrument applications. The tilt feet provide an excellent facility for viewing front panel displays and can be easily raised or lowered as required. The Verotec caseframe range is available in two widths 42 and 84 hp, two heights 3U & 6U and 300, 400 & 500 mm depths offering the widest range of applications. Ventilation is provided by a matrix of holes in the base which when a rear panel is added provide a through flow of cool air. To enhance its visual appeal the case is offered in two colour options. Either as single colour Light grey RAL 7025 or Two Tone Light Grey RAL 7035 and Anthracite RAL 7016.

FEATURES

- Heights: 3U & 6U, Widths: Full Width 19 inch & Half Width 10.5 Inch
- Depths: 300mm, 400mm & 500mm
- Vented base panel
- Optional Single colour Light Grey or Two Tone Light Grey & Anthracite
- Powder painted in textured finish for high scratch resistance
- Tilt foot fitted to front foot moulding
- Hidden fixings under clip in mouldings
- Upgrades for EMC and Environmental protection
- Subrack components based upon the industry standard KM6-II system

CONTENTS OF CASEFRAME

1	Top Cover
1	Bottom Cover (Vented/Non Vented)
2	Side Panels
4	Corner extrusions (internal)
4	Corner extrusions (external)
2	Front & Rear Frame
4	Foot Moulding
2	Tilt Foot Moulding
4	Cover Moulding with clip in covers
1	Set of fixings

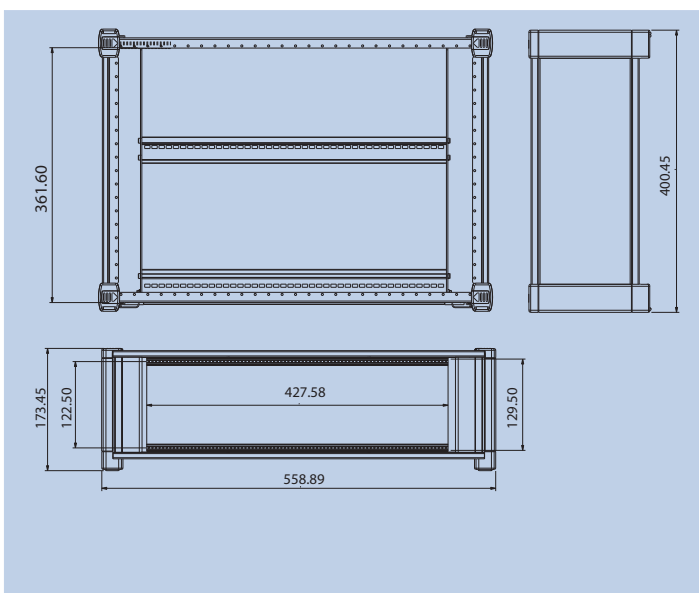
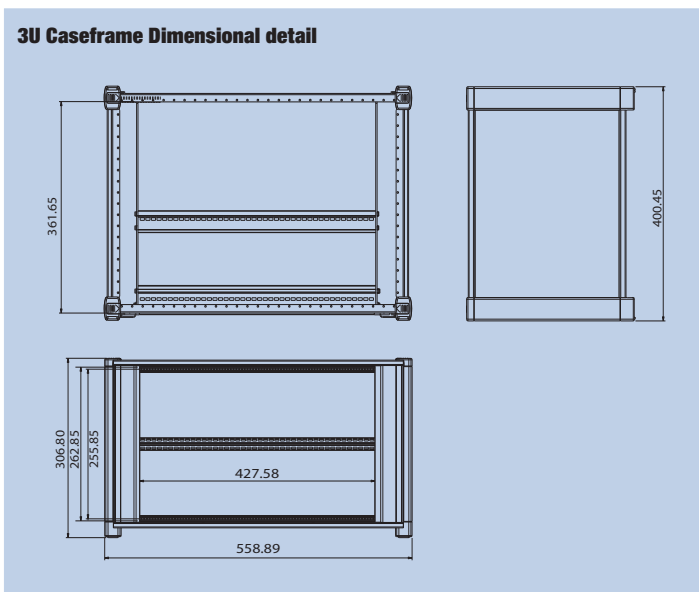
ORDERING INFORMATION

Height	Width (hp)	Depth	Colour	Vented	E/Plate Depth
3U	42	300	Two Tone	70-4004531	240
3U	42	300	Light Grey	70-4004532	240
3U	84	300	Two Tone	70-4004533	240
3U	84	300	Light Grey	70-4004534	240
3U	42	400	Two Tone	70-4004535	360
3U	42	400	Light Grey	70-4004536	360
3U	84	400	Two Tone	70-4004537	360
3U	84	400	Light Grey	70-4004538	360



3U Caseframe

3U Caseframe Dimensional detail



Verotec Case: 6U Caseframes 42 & 84 hp

Verotec Caseframes offer an excellent combination of technical competence and aesthetic design. Eurocards can be housed in a standard 84 hp or 42 hp width either 3U or 6U high and up to 500mm deep. The Verotec caseframe is ideally suited to desktop or workbench mounting. With the extruded corners, cover mouldings and tilt feet it is readily stacked for multi instrument applications. The tilt feet provide an excellent facility for viewing front panel displays and can be easily raised or lowered as required. The Verotec caseframe range is available in two widths 42 and 84 hp, two heights 3U & 6U and 300,400 & 500 mm depths offering the widest range of applications. Ventilation is provided by a matrix of holes in the base which when a rear panel is added provide a through flow of cool air. Either as a single colour Light Grey RAL 7025 or Two Tone Light Grey RAL 7035 and Anthracite RAL 7016.

FEATURES

- Heights: 6U, Widths: Full Width 19 inch & Half Width 10.5 Inch
- Depths: 400mm & 500mm
- Vented base panel
- Optional Single colour Light Grey or Two Tone Light Grey & Anthracite
- Powder painted in textured finish for high scratch resistance
- Tilt foot fitted to front foot moulding
- Hidden fixings under clip in mouldings
- Upgrades for EMC and Environmental protection
- Subrack components based upon the industry standard KM6-II system

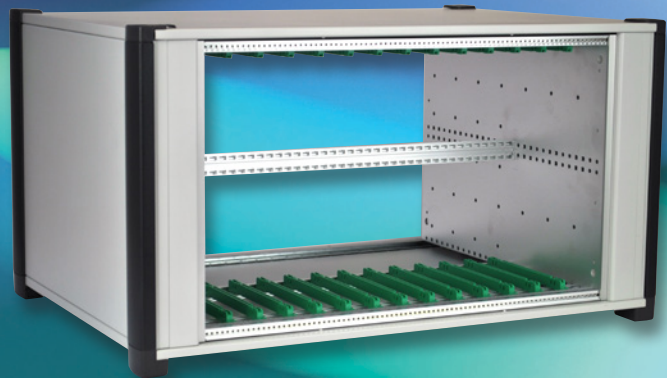
CONTENTS OF CASEFRAME

1	Top Cover
1	Bottom Cover (Vented/Unvented)
2	Side Panels
4	Corner extrusions (internal)
4	Corner extrusions (external)
2	Front & Rear Frame
4	Foot Moulding
2	Tilt Foot Moulding
4	Cover Moulding with clip in covers
1	Set of fixings

Light grey RAL 7025 or Two Tone Light Grey RAL 7035 and Anthracite RAL 7016.

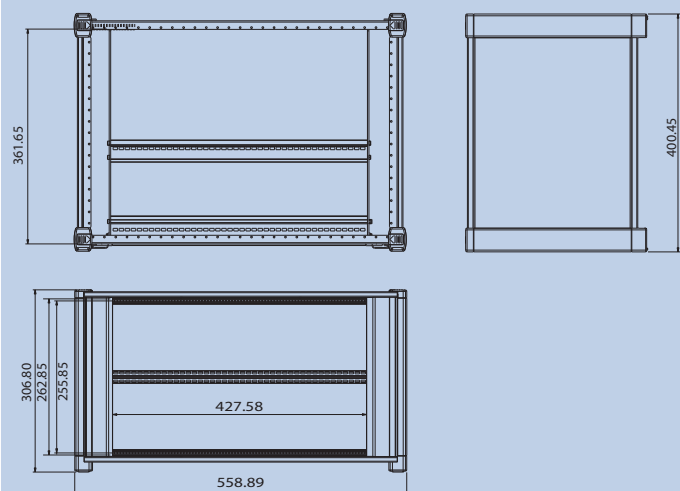
ORDERING INFORMATION

Height	Width (hp)	Depth	Colour	Vented	E/Plate Depth
6U	42	400	Two Tone	70-4004539	360
6U	42	400	Light Grey	70-4004540	360
6U	84	400	Two Tone	70-4004541	360
6U	84	400	Light Grey	70-4004542	360
6U	42	500	Two Tone	70-4004543	420
6U	42	500	Light Grey	70-4004544	420
6U	84	500	Two Tone	70-4004545	420
6U	84	500	Light Grey	70-4004546	420



6U Caseframe

6U Caseframe Dimensional detail



Verotec Cases offer 5 front trim options depending upon the application they are being used for:

Option 1 – No front trims – this would be used when a Verotec plain front panel is used in Verotec case. In this application the front panel fixings are visible, but this option offers the ability to be able to quickly remove the front panel without removing the top cover of the case.

Option 2 – Front Cover Trims – These can be fitted with or without a Verotec front panel and would cover the panel fixings. The covers are made up of two extrusions which slide together and require the top cover of the case to be removed adding to security. When used with a 19inch front panel the 19 inch panel fixings remain visible for simple removal of the front panel.

**FRONT COVER TRIMS
ORDERING INFORMATION**

height	Order Code
1U	70-132501
2U	70-132502
3U	70-132503
6U	70-4004315

Option 3 – Front Cover Trims with handles – These trims offer the same features and benefits of the cover trims but with the infill trim being replaced by a handle infill. This gives the added benefit of being able easily lift the case front the front and offers protection to front mounted components.

**FRONT HANDLE TRIMS
ORDERING INFORMATION**

height	Order Code
1U	70-4004024
2U	70-4004025
3U	70-4004026
6U	70-4004312

Option 4 – Front 19 inch Cover Trims – these offer a secure solution for 19inch front panels fitted to Verotec cases. With this option the M6 fixings are covered offering a degree of security to the assembled instrument. In order to assemble the case with these trims the top cover need to be removed

**FRONT 19" COVER TRIMS
ORDERING INFORMATION**

height	Order Code
1U	70-132401
2U	70-132402
3U	70-132403
6U	70-4004317

Option 5 – Front 19 inch Cover trims with Handles – offering the same features as the Front 19 inch Cover Trims this option also offers the benefit being able to lift the instrument from the front and provides protection to front panel mounted components.

**FRONT 19" COVER HANDLE TRIMS
ORDERING INFORMATION**

height	Order Code
1U	70-4004027
2U	70-4004028
3U	70-4004029
6U	70-4004313

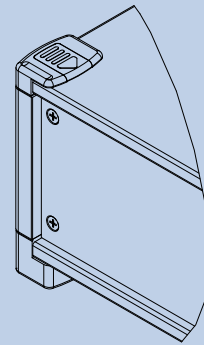
CONTENTS OF KITS:

Cover Trims -	2off
Infill / Handle Infill -	2off
Fixings	

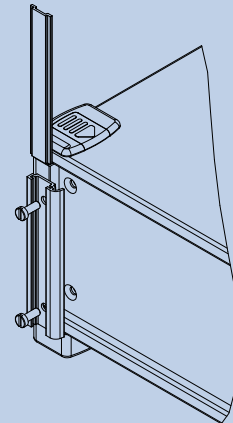
MATERIAL SPECIFICATION:

Handles and Trims –	Extruded Aluminium alloy
Finish –	Powder Paint RAL 7035 Light Grey

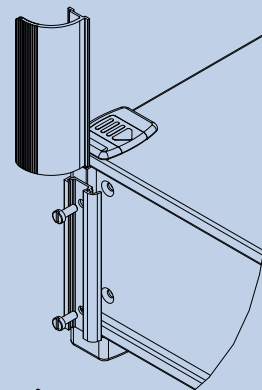
OPTION 1



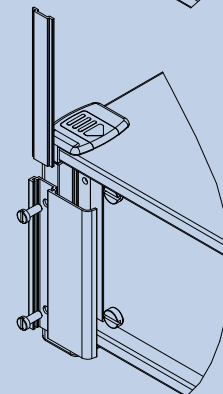
OPTION 2



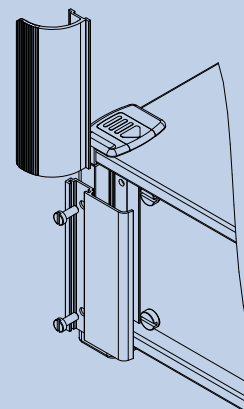
OPTION 3



OPTION 4



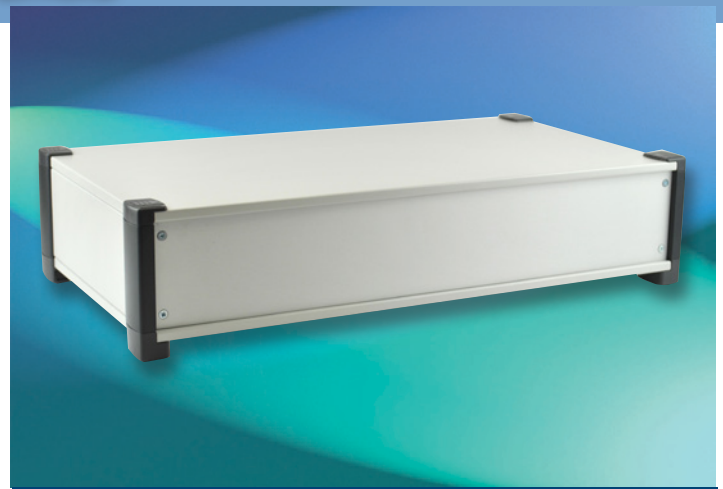
OPTION 5



Verotec Case: Front & Rear Panels

Verotec Case: has its own range of dedicated front and rear panels. Most cases will require a rear panel, which can be either ventilated or not. Aluminium front panels are available and allow the fitment of optional trims and handles to the front of the case.

Front Panels for the Verotec case are supplied in anodised aluminium and are designed to provide an aesthetic front finish for the case. The front panels are manufactured from 2.5mm thick aluminium sheet which is readily modified to accept switches, displays and other front panel mounting components. The front panel fixes to the vertical extrusions in the front corners of the case. The visual appearance of the panel can be enhanced by optionally fitting trims or handle trims over the front panel. As well as improving the appearance this also enhances the security of the case by covering the front panel fixing screws. Similar to the front of the case the rear can also be fitted with a rear panel and trims which as well as enhancing the visual appearance also improve the security of the unit by hiding the panel fixings.



FRONT PANELS

CONTENTS OF FRONT PANEL KITS

1	Aluminium Front Panel
4	fixing screws

FRONT PANEL KIT ORDERING INFORMATION

Height	Width	Order Code
1U	10.5	70-258409
1U	19	70-258410
2U	10.5	70-258411
2U	19	70-258412
3U	10.5	70-258413
3U	19	70-258414
6U	10.5	70-4004555
6U	19	70-4004556

Rear Panels are supplied in 0.9mm zinc steel which is then painted in Light grey fine texture epoxy powder. There is the option to fit either a standard or ventilated rear panel. The ventilated rear panel version, whilst effective on its own, will serve to enhance the through flow of air in the Verotec case when used in conjunction with the ventilated version of the Verotec case.

CONTENTS OF KIT

1	Rear Panel
4	Fixing Screws

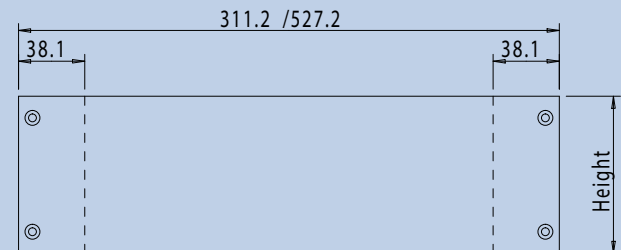
REAR PANELS ORDERING INFORMATION

Height	Width	Order Code Vented	Order Code Unvented
1U	10.5	70-4003993	70-4004000
1U	19	70-4003994	70-4004001
2U	10.5	70-4003995	70-4004002
2U	19	70-4003996	70-4004003
3U	10.5	70-4003997	70-4004004
3U	19	70-4003998	70-4004005
6U	10.5	70-4004334	70-4004358
6U	19	70-4004335	70-4004359

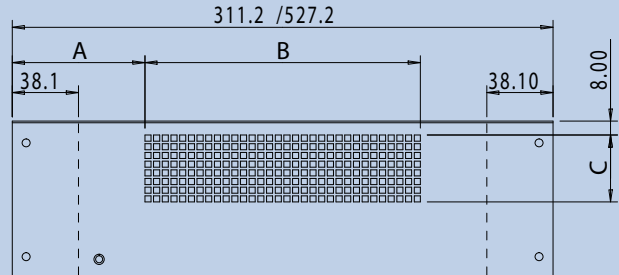
MATERIAL SPECIFICATION:

Front Panel	2.5mm 5251 Aluminium, anodised finish
Rear Panel	0.9mm Zintec Steel, light grey RAL 7035 epoxy powder fine texture

Front Panel Dimensional Detail



Rear Panel Dimensional Detail



Vented Area of Rear Panel Dimensional Table

PANEL	Dim A	Dim B	Dim C
1U 10.5"	96.35	118.5	18.5
1U 19"	104.35	318.5	18.5
2U 10.5"	76.35	158.5	38.5
2U 19"	104.35	318.5	38.5
3U 10.5"	76.35	158.5	58.5
3U 19"	104.35	318.5	58.5

Verotec Case: EMC/IP Front & Rear Panels, Sealing Kits

Verotec Case: has the ability to upgrade with EMC and IP sealing and is one of the unique features of the Verotec Case range.

By fitting an EMC/IP panel to the front and rear of a Verotec Case it is then possible to add a combination of EMC seals or IP gaskets to provide up to 40dB attenuation at 1 GHz or an environmental seal to IP54.

With the Verotec case it is also possible to fit both types of seal together. This means that a Verotec case can provide both EMC and Environmental sealing for the same application of an instrument case.

EMC/IP Front & Rear panels are required in order to upgrade a Verotec case with EMC and Environmental seals. The panels are made up of two parts. The outer panel, which is 3mm aluminium, creates a decorative finish which is anodised. The inner panel, which is 0.9mm galvanised steel is conductive and corrosion resistant. The inner panel provides the flanges to fix the EMC or IP seals allowing them to mate with the front and rear frames of the Verotec case.

EMC/IP FRONT & REAR PANELS ORDERING INFORMATION

Height	Width	Order Code
1U	10.5	70-4004185
1U	19	70-4004186
2U	10.5	70-4004187
2U	19	70-4004188
3U	10.5	70-4004189
3U	19	70-4004190
6U	10.5	70-4004280
6U	19	70-4004281

CONTENTS OF KITS:

1	EMC/IP Panel
4	Fixing Screws

MATERIAL SPECIFICATION:

Outer Panel	3mm Aluminium Alloy with anodised finish
Inner Panel	0.9mm galvanised sheet steel

EMC & IP Seal Kits are required to complete the EMC and Environmental sealing of a Verotec case. EMC kits contain all the seals need to fit into a case to enhance its screening performance. EMC kits are configured dependent upon the size of case IP gasket kits are available in two sizes one for cases of 1U & 2U and one for cases of 3U & 6U. In all cases the Verotec case will need to be disassembled to fit the seal kit and for all sizes it is possible to fit both the EMC and Environmental into the same case if so required.

EMC & IP SEAL KITS ORDERING INFORMATION

Height	Width	EMC Seals	IP Seals
1U	10.5	70-4004041	70-4004047
1U	19	70-4004042	70-4004047
2U	10.5	70-4004043	70-4004047
2U	19	70-4004044	70-4004047
3U	10.5	70-4004045	70-4004048
3U	19	70-4004046	70-4004048
6U	10.5	70-4004559	70-4004048
6U	19	70-4004560	70-4004048

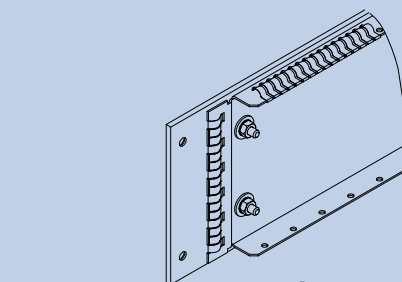
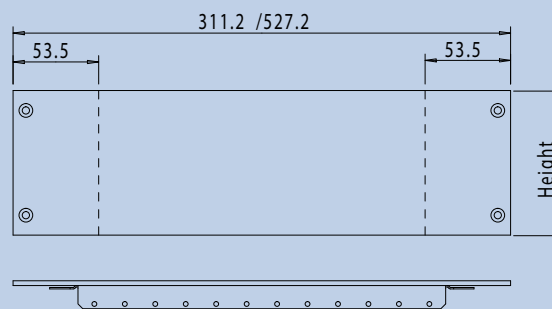
CONTENTS OF KITS:

EMC Seal Kits –	1 set of contact strips
IP Seal Kits –	1 set of self-adhesive gaskets

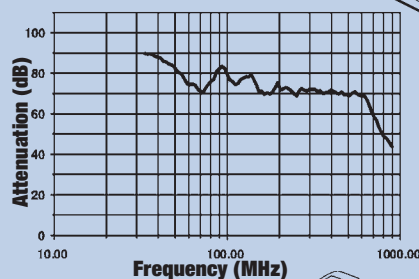
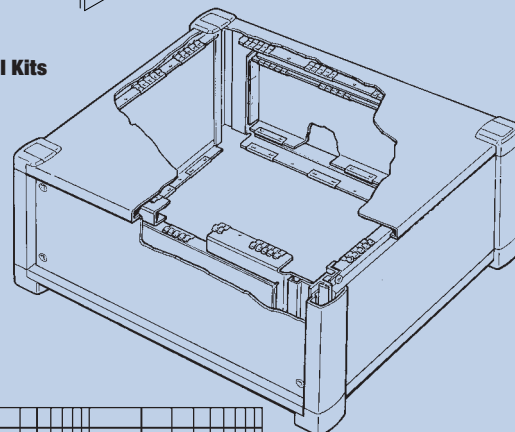
MATERIAL SPECIFICATION:

EMC Seal Kit –	Beryllium Copper fingers
IP Seal Kits –	Self-adhesive PVC foam gaskets

EMC/IP Front & Rear Panel – Dimensional Detail

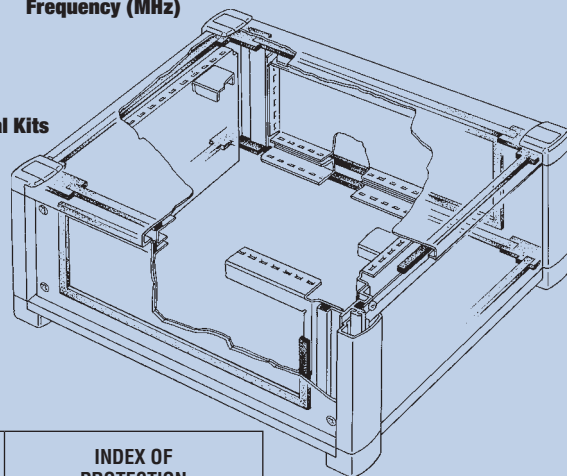


EMC Seal Kits



IP Seal Kits

IP54



IP	INDEX OF PROTECTION
5	Protected against dust and accidental contact. No dust enters the enclosure in harmful quantities. No risk of direct contact with electronic components.
4	Protected against water splashes from all sides. No water enters the enclosure in harmful amounts.

CHASSIS TRAYS AND SUPPORT KITS

These are sold as separate items to give the maximum flexibility when creating and internal tray within a Verotec case. Chassis tray supports are available in 4 depths each to suit the overall depth of the case they are fitted to.

Chassis trays are available in a range of depths and two widths 19inch and 10.5 inch. They are intended for the mounting of discreet components which would not normally be mounted in a 19inch enclosure. If required, more than one tray can be fitted to match the depth of the case, with a space to allow cables to be passed between them.

CHASSIS TRAY SUPPORT KIT ORDERING INFORMATION

Case Depth	Order Code
260	70-4004030
300	70-4004031
400	70-4004032
500	70-4004563

CONTENTS OF KIT:

2off	Chassis Tray Support - 1.2mm Galvanised Steel
4off	Fixing screws & Washers

CHASSIS TRAY KIT ORDERING INFORMATION

Case Depth	Width	Order Code
110	10.5	70-4004033
110	19	70-4004034
150	10.5	70-4004035
150	19	70-4004036
190	10.5	70-4004037
190	19	70-4004038
290	10.5	70-4004039
290	19	70-4004040

CONTENTS OF KIT:

1off	Chassis Tray - 0.9mm Galvanised Steel
4off	Fixings screws & nuts

CARRY HANDLES

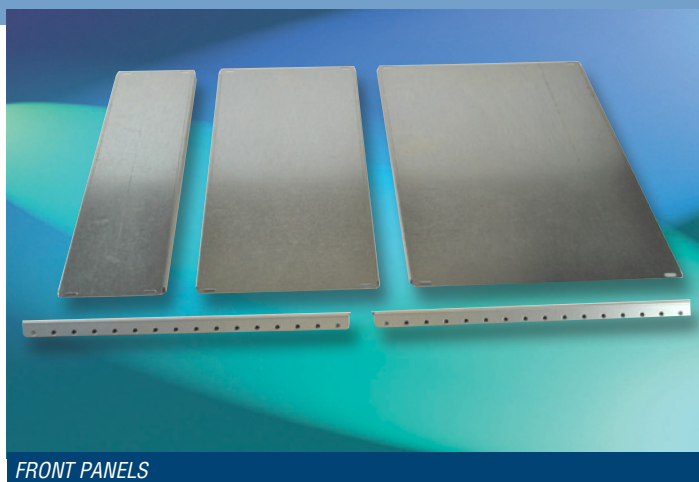
These are available to suite suit both 19 inch (Full width) and 10.5 inch (Half Width) Verotec cases and caseframes. They will hold up to 30kg and have a push button tilt mechanism in increments of 30 degrees. This allow the Verotec case to be carried or tilted on a work surface

CARRY HANDLES ORDERING INFORMATION

Depth	Width	Order Code
Any	10.5	70-4004564
Any	19	70-4004565

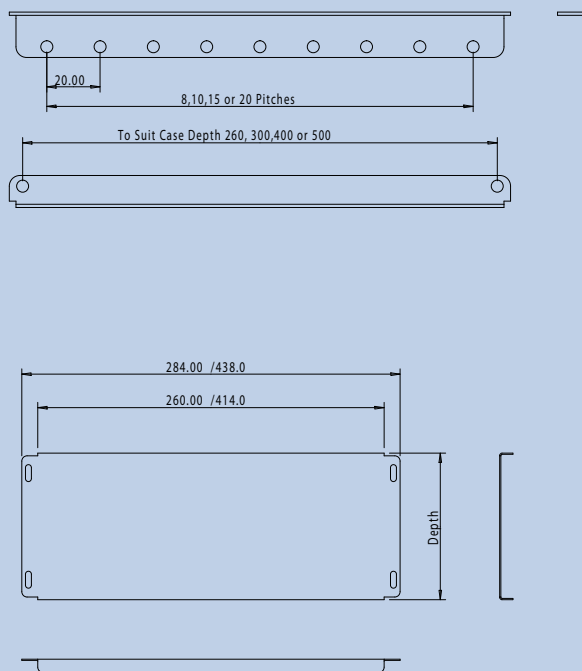
CONTENTS OF KIT:

2 off	Side Arms – Polycarbonate mid grey BS4800-00-A05
2 off	Location Mouldings - Polycarbonate mid grey BS4800-00-A05
2 off	Push Button Mouldings – Polycarbonate light grey BS4800-00-A01
1 off	Cross Bar – Extruded Aluminium, anodised
	Fixings

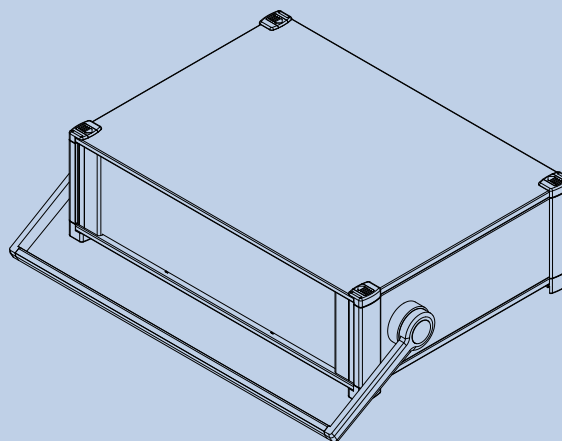


FRONT PANELS

Title Chassis Supports & Chassis Trays Dimensional Detail



Carry Handle



TRANSPARENT HINGED DOOR KITS

Verotec Cases can be fitted with stylish and attractive transparent doors, which provide both security and improved aesthetics.

CONTENTS OF KIT:

1	Transparent Door
Fixing Kit	

MATERIAL SPECIFICATION

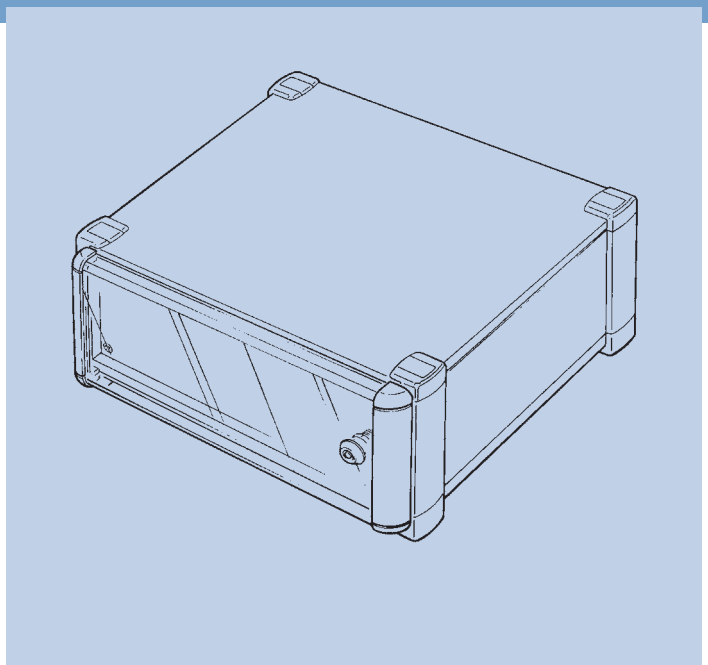
Extruded Sections	: Aluminium Alloy
Transparent Window	: 3mm Acrylic

Height	Width	Order Code
1U	10.5	70-4004566
1U	19	70-4004567
2U	10.5	70-4004568
2U	19	70-4004569
3U	10.5	70-4004570
3U	19	70-4004571
6U	10.5	70-4004572

Available only on TecServ+ -Subject to Min Order Qty

VEROTEC CASE & CASEFRAME - ACCESSORY INDEX

Description	Page No.
Aluminium 19inch & 10.15 Inch Front Panels	9.31
Front Panel fixing screws, cup washers and caged nuts	9.33
Caged nut insertion Tool	9.33
Aluminium Vented 19inch Front Panels	9.31
Steel Black Painted 19inch Front Panels	9.32
KM6 Guides	1.30
KM6 Tapped Strips	1.29
KM6 DIN Connector Mounting Frames	1.29
KM6 Backplane spacers	1.29
KM6 Connector Mounting Rear Tie Bars	1.27
KM6 PCB Retainers	1.32
KM6 PCB Guide Nose extender	1.32
KM6 PCB Ejectors & Ejector/Injectors	1.32
KM6 Divider Kits	1.33
KM6 Rear Divider Kits	1.34
KM6 Horizontal Mounting Modules	1.36
KM6 Blank Front Panels	2.04
KM6 Horizontally Hinged Front Panels	2.05
KM6 Standard Front Panels	2.07
KM6 2 Rail Modules	2.12
KM6 4 Rail Modules	2.14
KM6 Enhanced Modules	2.16



X-ON Electronics

Largest Supplier of Electrical and Electronic Components

Click to view similar products for [vero manufacturer](#):

Other Similar products are found below :

[173-202579H](#) [503-232983F](#) [503-232948H](#) [503-232971B](#) [20-313145](#) [16-269316](#) [503-232963A](#) [75-265742](#) [75-38118](#) [950-201784G](#) [16-269313](#) [75-265739](#) [503-232946A](#) [20-313139](#) [18-1657](#) [20-313138](#) [20-313144](#) [75-227911](#) [18-0222](#) [645-10028](#) [75-265740](#) [01-0042](#) [75-3019](#) [75-227895](#) [75-227901](#) [503-232985B](#) [20-313140](#) [75-227910](#) [503-232954B](#) [20-313143](#) [01-0021](#) [20-2136](#) [20-313137](#) [75-2861](#) [75-226685](#) [950-202001E](#) [75-2860](#) [20-2137](#)