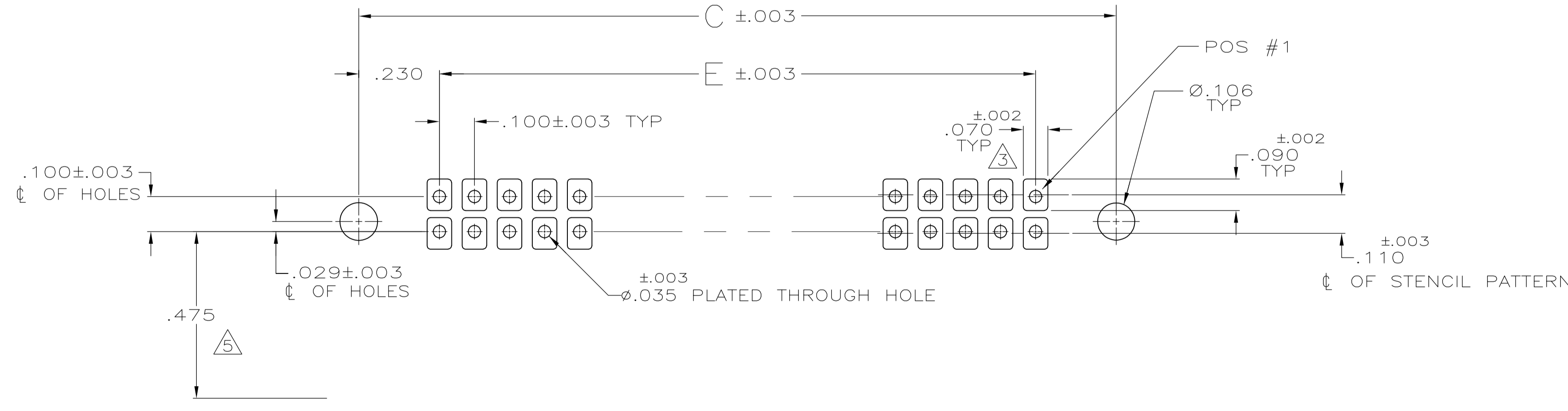
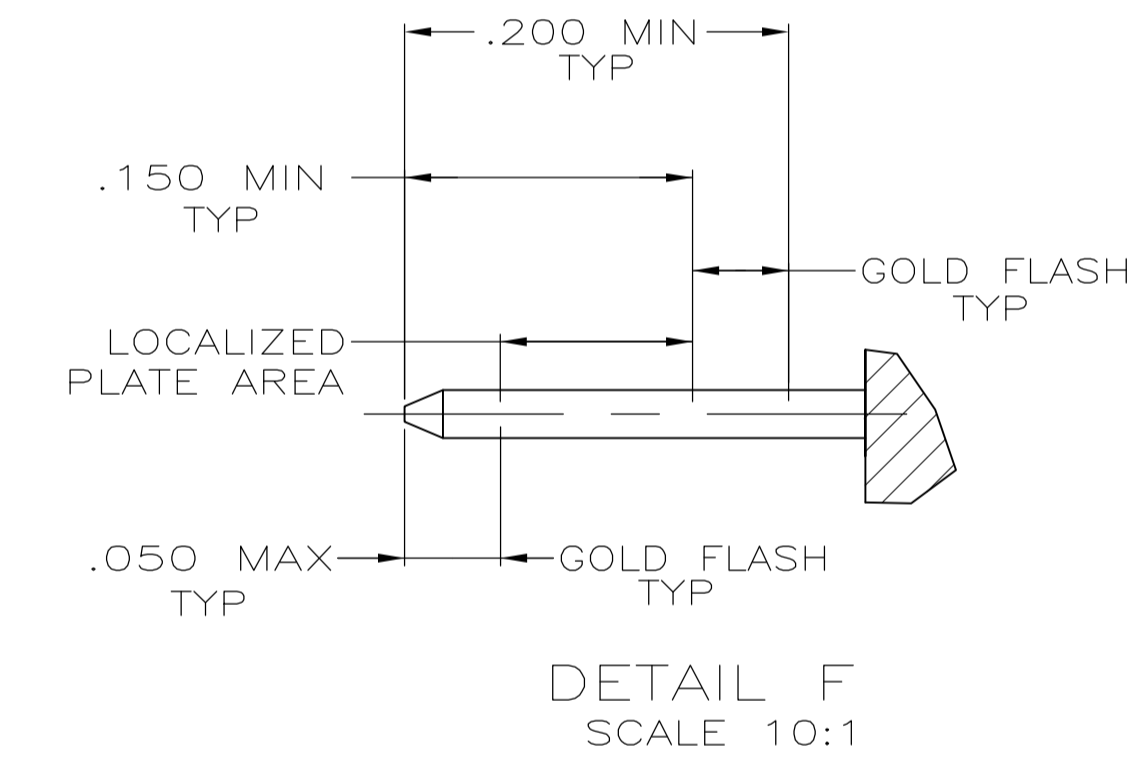
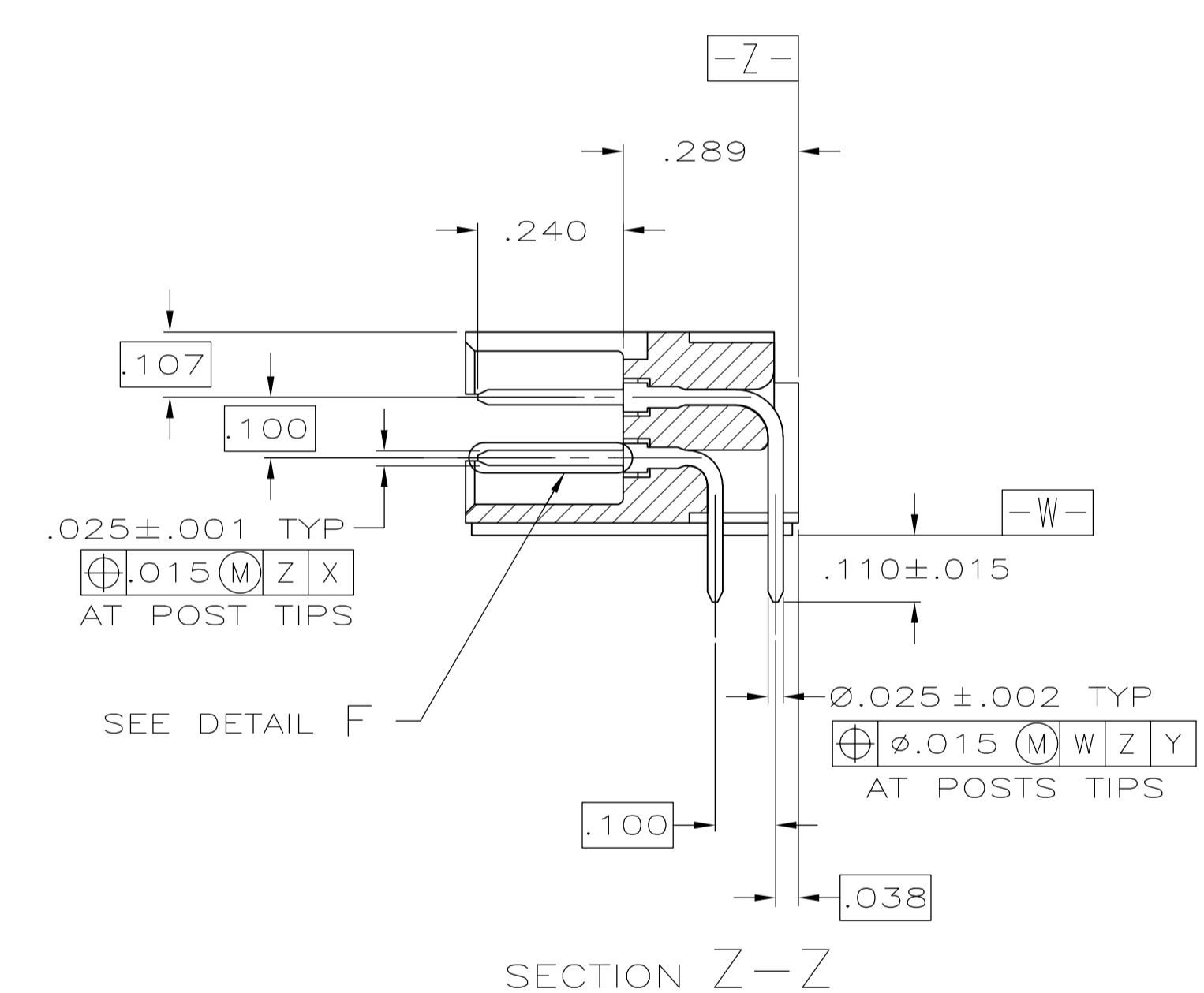
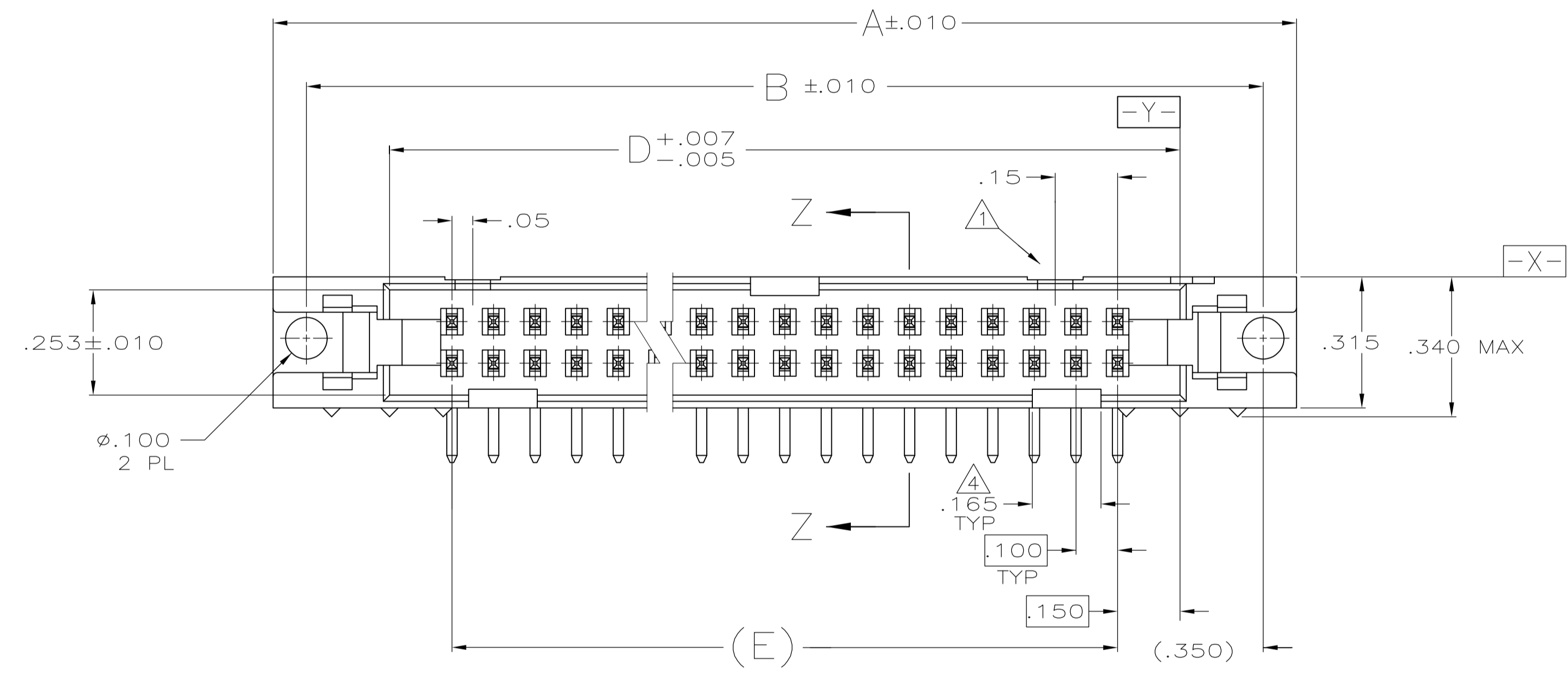


- 1 NO SNAP-IN POLARIZING FEATURE ON THIS END FOR 10 & 14 POS HEADERS.
- 2 POSTS: GOLD FLASH OVER PALLADIUM-NICKEL PLATE, .000030 MIN TOTAL ON THE LOCALIZED PLATE AREA, .000100 MIN TIN PLATE ON THE SOLDER-TAIL, .000050 MIN NICKEL UNDERPLATE ON THE ENTIRE POST.  
-OR-  
.000030 MIN GOLD PLATE ON THE LOCALIZED PLATE AREA, .000100 MIN TIN PLATE ON THE SOLDER-TAIL, .000050 MIN NICKEL UNDERPLATE ON THE ENTIRE POST.
- 3 RECOMMENDED STENCIL THICKNESS EQUALS .010
- 4 FOR 10 POS.HEADER ONLY, ONE SLOT LOCATED AS SHOWN.
- 5 MAXIMUM DISTANCE FROM EDGE OF PC BOARD FOR DAISY CHAIN APPLICATIONS
- 6 MOLDED PARTS: FLAME RETARDANT PCT, UL94V-0 RATED, COLOR RED.  
POSTS: BRASS



RECOMMENDED PC BOARD MOUNTING DIMENSIONS

| NO. OF POSN | A    | B    | C     | D     | E     | PART NO     |
|-------------|------|------|-------|-------|-------|-------------|
| 64          | 3.96 | 3.80 | 3.560 | 3.400 | 3.100 | 1-5111105-2 |
| 60          | 3.76 | 3.60 | 3.360 | 3.200 | 2.900 | 1-5111105-1 |
| 50          | 3.26 | 3.10 | 2.860 | 2.700 | 2.400 | 1-5111105-0 |
| 40          | 2.76 | 2.60 | 2.360 | 2.200 | 1.900 | 5111105-9   |
| 34          | 2.46 | 2.30 | 2.060 | 1.900 | 1.600 | 5111105-8   |
| 30          | 2.26 | 2.10 | 1.860 | 1.700 | 1.400 | 5111105-7   |
| 26          | 2.06 | 1.90 | 1.660 | 1.500 | 1.200 | 5111105-6   |
| 24          | 1.96 | 1.80 | 1.560 | 1.400 | 1.100 | 5111105-5   |
| 20          | 1.76 | 1.60 | 1.360 | 1.200 | .900  | 5111105-4   |
| 16          | 1.56 | 1.40 | 1.160 | 1.000 | .700  | 5111105-3   |
| 14          | 1.46 | 1.30 | 1.060 | .900  | .600  | 5111105-2   |
| 10          | 1.26 | 1.10 | .860  | .700  | .400  | 5111105-1   |

THIS DRAWING IS A CONTROLLED DOCUMENT.

|                    |  |           |           |           |           |           |            |
|--------------------|--|-----------|-----------|-----------|-----------|-----------|------------|
| DIMENSIONS: INCHES | TOLERANCES UNLESS OTHERWISE SPECIFIED: | 0 PLC ± - | 1 PLC ± - | 2 PLC ± - | 3 PLC ± - | 4 PLC ± - | ANGLES ± - |
|--------------------|--|-----------|-----------|-----------|-----------|-----------|------------|

MATERIAL:  $\phi .035$  PLATED THROUGH HOLE

FINISH:  $\pm .002$  TYP

THIS DRAWING IS A CONTROLLED DOCUMENT. DIN G. ATTADIA - 01-07-05. CJK S. BOLASH - 01-07-05. APVD M. WALMSLEY - 01-07-05. NAME: AMP-LATCH UNIVERSAL HEADER .025 SQ POST, .100 X .100 CL RIGHT ANGLE. FOR VAPOR-PHASE APPLICATIONS. PRODUCT SPEC: 108-40018. APPLICATION SPEC: -. SIZE: A1. WEIGHT: -. CUSTOMER DRAWING. SCALE: 4:1. SHEET: 1 OF 1. REV: E.

## X-ON Electronics

Largest Supplier of Electrical and Electronic Components

*Click to view similar products for [Headers & Wire Housings](#) category:*

*Click to view products by [TE Connectivity](#) manufacturer:*

Other Similar products are found below :

[95000-104TRLF](#) [10135584-644402LF](#) [DF62W-EP2022PCA](#) [95000-106TRLF](#) [DF62W-2022SCA](#) [DF62W-EP2022PC](#) [2203348](#) [DF62W-2022SC](#) [1084018](#) [1029039](#) [1084017](#) [802-10-012-10-002000](#) [1112640](#) [1112639](#) [891-007-9SS-BST1T](#) [000-34000](#) [0008550134](#) [0009482033](#) [0009507031](#) [57102-F02-18ULF](#) [57102-S06-03LF](#) [57202-S52-04LF](#) [PCN6-15S-2.5E](#) [0039019024](#) [58102-G61-06LF](#) [582553-1](#) [0009485154](#) [0009508121](#) [0022285053](#) [0050291907](#) [018731A](#) [LY20-4P-DT1-P1E-BR](#) [02.125.8002.8](#) [60101931](#) [60598-1 \(Cut Strip\)](#) [M1625-3R/100](#) [61062-3](#) [61082-181009](#) [CSU011177004](#) [636-1427](#) [638009-1](#) [641938-9](#) [641991-4](#) [644168-1](#) [644827-2](#) [647662-1](#) [65039-019ELF](#) [65692-001LF](#) [65781-018](#) [65781-047](#)