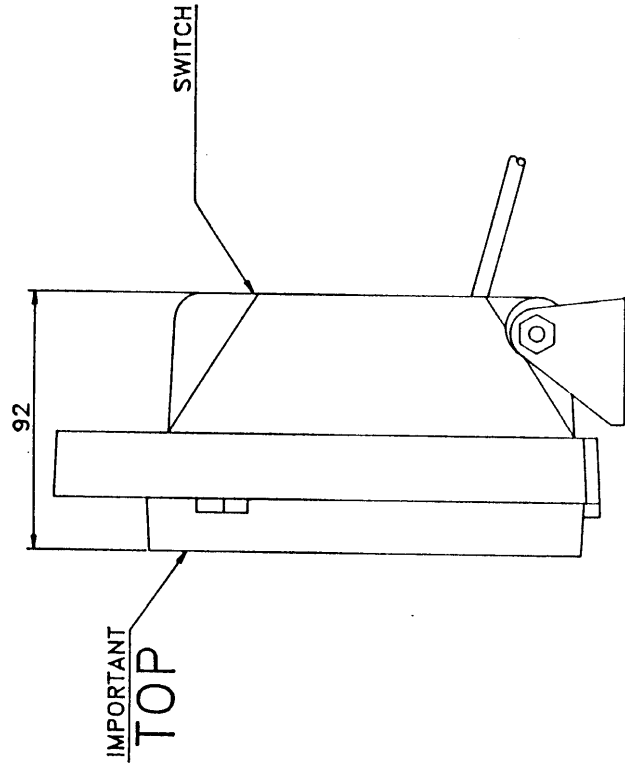


APPLICATION

MAGNETIC GENERAL PURPOSE WORKLAMP,
WITH INTEGRAL ON-OFF ROCKER SWITCH.
IDEALLY SUITED FOR AUTOMOTIVE APPLICATIONS.



TECHNICAL SPECIFICATION	
WARNING - FOR STATIONARY USE ONLY	
CONSTRUCTION	BODY - POLYPROPYLENE LENS - POLYCARBONATE
BEAM PATTERN	30mtr Min. 7mtr Min. 15mtr Min.
REACH HEIGHT WIDTH	12V 4.6A H3 55W 950.005
VOLTAGE CURRENT CONSUMPTION BULB TYPE SPARE BULB	

MOD No. M1050	STATUS PRODUCTION RELEASE A	ISS A	DATE 12-11-94
MATERIAL	FINISH	SPECIFICATION	
SPECIFICATION	TOOL No.		
3rd ANGLE PROJECTION DIMENSIONS IN MILLIMETRES DO NOT SCALE			
DRAWN R L WELDON	CHECKED		
DATE 12-11-94	TITLE OUTLINE MAGNETIC WORKLAMP		
PART No.	999.015	A3	SCALE 1:2



© VISION ALERT AUTOMOTIVE LIMITED

Osaldwick Ind. Est. Outgang Lane Osaldwick York. Y01 3UX North Yorks.
Telephone : 01904 415000 Fax : 01904 430059

X-ON Electronics

Largest Supplier of Electrical and Electronic Components

Click to view similar products for [visionalert](#) manufacturer:

Other Similar products are found below :

[31105372](#) [30102270](#) [30102272](#)