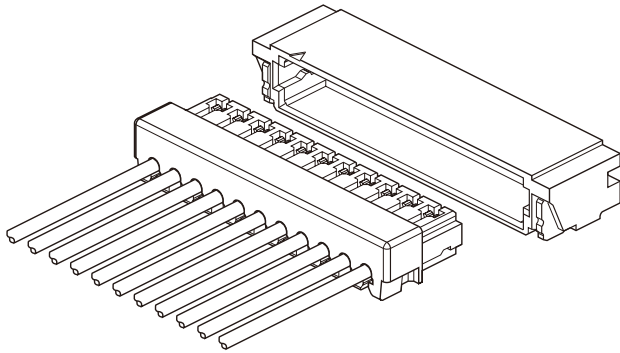


# XSR CONNECTOR



**0.6mm pitch/Disconnectable Insulation displacement connectors**



***This is the world's smallest 0.6mm pitch ID connector for discrete wires. This Wire to Board miniaturized connector has a mounting height of 1.45mm and depth of 3.0mm.***

- Space saving
- Twin U-slot insulation displacement section
- New strain relief structure
- Suitable for thin wires
- Applicable to automatic ID machines

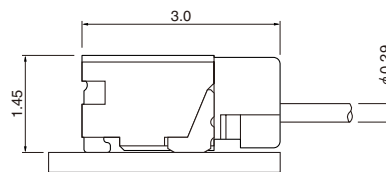
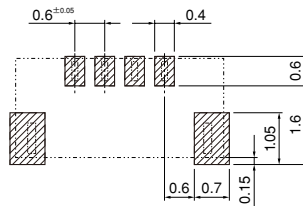
## Specifications

- Current rating: 0.2A AC, DC
  - Voltage rating: 30V AC, DC
  - Temperature range: -25°C to +85°C  
(including temperature rise in applying electrical current)
  - Contact resistance: Initial value/30m Ω max.  
After environmental testing/50m Ω max.
  - Insulation resistance: 100M Ω min.
  - Withstanding voltage: 200V AC/minute
  - Applicable wire: Conductor size/AWG #36  
Conductor/7 strands,  
tin-coated copper alloy  
Insulation O.D./0.29mm
- \* Compliant with RoHS.  
\* Refer to "General Instruction and Notice when using Terminals and Connectors" at the end of this catalog.  
\* Contact JST for details.

## Standards

- Ⓜ Recognized E60389
- Ⓢ Certified LR20812

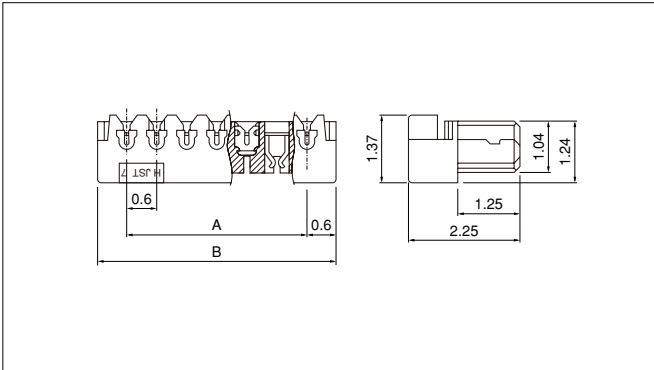
**PC board layout (viewed from component side) and Assembly layout**



Note: 1. Tolerances are non-cumulative:  $\pm 0.05\text{mm}$  for all centers.  
2. The dimensions above should serve as a guideline. Contact JST for details.

# XSR CONNECTOR

## Socket



Circuits	Model No.	Dimensions (mm)		Q'ty / box
		A	B	
2	<b>02XSR-36S</b>	0.6	1.8	4,000
4	<b>04XSR-36S</b>	1.8	3.0	4,000
6	<b>06XSR-36S</b>	3.0	4.2	4,000
10	<b>10XSR-36S</b>	5.4	6.6	4,000
16	<b>16XSR-36S</b>	9.0	10.2	4,000
20	<b>20XSR-36S</b>	11.4	12.6	4,000
22	<b>*22XSR-36S</b>	12.6	13.8	4,000

### Material and Finish

Contact: Copper alloy, tin-plated (reflow treatment)

Housing: PA, UL94V-0, natural

### RoHS compliance

Note: \*Marked products are not UL/CSA approved.

<For reference> As the color identification, the following alphabet shall be put in the underlined part. For availability, delivery and minimum order quantity, contact JST.

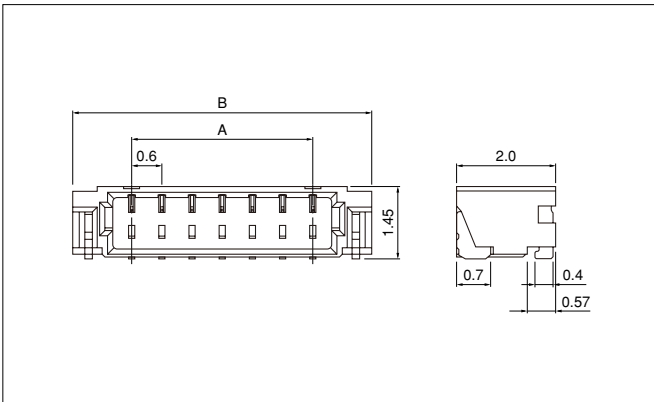
ex. **02XSR-36S**

S...natural (standard color)

LG...light green LP...light purple L...lemon yellow

PK...pink LE...light blue O...orange

## Header



Circuits	Model No.	Dimensions (mm)		Q'ty / reel
		A	B	
2	<b>SM02B-XSRS-ETB</b>	0.6	3.0	3,500
4	<b>SM04B-XSRS-ETB</b>	1.8	4.2	3,500
6	<b>SM06B-XSRS-ETB</b>	3.0	5.4	3,500
10	<b>SM10B-XSRS-ETB</b>	5.4	7.8	3,500
16	<b>SM16B-XSRS-ETB</b>	9.0	11.4	3,500
20	<b>SM20B-XSRS-ETB</b>	11.4	13.8	3,500
22	<b>*SM22B-XSRS-ETB</b>	12.6	15.0	3,500

### Material and Finish

Contact: Copper alloy, copper-undercoated, tin-plated (reflow treatment)

Housing: PA, UL94V-0, natural

Solder tab: Brass, copper-undercoated, tin-plated (reflow treatment)

### RoHS compliance

This product displays (LF)(SN) on a label.

Note: 1. This products listed above are supplied on embossed-tape.

2. \*Marked products are not UL/CSA approved.

<For reference> As the color identification, the following alphabet shall be put in the underlined part. For availability, delivery and minimum order quantity, contact JST.

ex. **SM02B-XSRS-ETB**

S...natural (standard color)

LG...light green LP...light purple L...lemon yellow

PK...pink LE...light blue O...orange

## X-ON Electronics

Largest Supplier of Electrical and Electronic Components

*Click to view similar products for [FFC & FPC Connectors](#) category:*

*Click to view products by [JST manufacturer](#):*

Other Similar products are found below :

[HFW11R-1STE1H1LF](#) [FH29B-100S-0.2SHW\(99\)](#) [FA5S008HP1](#) [FH29B-120S-0.2SHW\(99\)](#) [FH29B-80S-0.2SHW\(99\)](#) [FHS-16](#) [FPH-2022G](#)  
[52610-1075](#) [52610-1275](#) [52610-1934](#) [XF3M\(1\)-1415-1B-R100](#) [501864-3091-TR225](#) [0525594033](#) [086210010340800](#) [086222026001800](#)  
[52271-2869-CUT-TAPE](#) [62674-201121DLF](#) [62684-36210E9ALF](#) [52610-1675](#) [52746-1671-TR250](#) [10051922-2810EHLF](#) [6-520415-9](#)  
[BD021-09A-A1-0350-0200-0550-LD](#) [SFV6R-1STE9HLF](#) [XF3M-2915-1B-R100](#) [1658549-1](#) [62674-221121ALF](#) [46214008010800](#)  
[046298003000883](#) [151660622](#) [842-816-2630-035](#) [AYF530665TA](#) [AYF351525](#) [046296011930846+](#) [AYF352325A](#) [046254020000800+](#)  
[FH19C-13S-0.5SH\(99\)](#) [FH39J-51S-0.3SHW\(99\)](#) [AYF355125A](#) [AYF530365TA](#) [FH29B-44S-0.2SHW\(99\)](#) [SFW5R-2STAE9LF](#) [AYF351125A](#)  
[AYF350725A](#) [62684-502100AHLF](#) [FH39-61S-0.3SHW\(99\)](#) [AYF414035A](#) [10064555-172520HLF](#) [AYF212335A](#) [504754-2500](#)