

TOWER & SIGNAL LIGHTS CONTROL SWITCHES

www.AutonicsOnline.com

Autonics USA, Inc.

Toll Free: 1.866.862.2602

1001 Butterfield Rd, Vernon Hills, IL 60061
Phone: 847-680-8160 | Fax: 847-680-8155
Email: sales@autonicsusa.net

Autonics México

Torre Índigo Reforma, 373 piso 11,
Col. Cuahutémoc 06500 México D.F.
Tel: 52-55-5207-0019 | Fax : 52-55-5207-0099
Email : ventas@autonics.com



PTE Ø56mm LED Modular Style Steady & Flashing with Buzzer

TOWER LIGHTS



- LED modular components
- Bright & even light distribution through prism-cut lenses
- Fast & easy assembly with inter-locking construction
- 3 base body options
- Optional 85dB Buzzer (fixed or adjustable volume)
- NEMA 4x / IP65 rated
- RoHS compliant



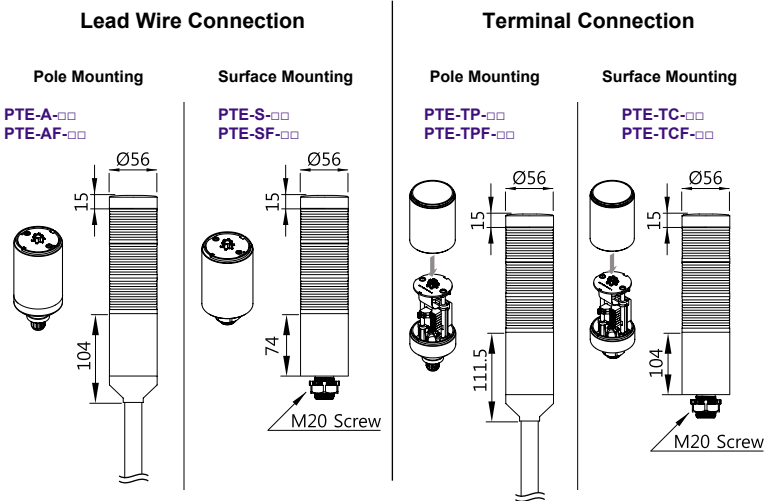
Order Information

Body Units

Body Type	Voltage	Part Number		
		Steady	Steady & Flashing	
Lead Wire Connection	Pole Mounting	AC 90~240V	PTE-A-FF	PTE-AF-FF
		DC/AC 24V	PTE-A-02	PTE-AF-02
	Surface Mounting	AC 90~240V	PTE-S-FF	PTE-SF-FF
		DC/AC 24V	PTE-S-02	PTE-SF-02
Terminal Connection	Pole Mounting	AC 90~240V	PTE-TP-FF	PTE-TPF-FF
		DC/AC 24V	PTE-TP-02	PTE-TPF-02
	Surface Mounting	AC 90~240V	PTE-TC-FF	PTE-TCF-FF
		DC/AC 24V	PTE-TC-02	PTE-TCF-02

Dimensions

unit: mm



LED Modules

LED Color	Part Number	
	Standard Module	Dome Head Module
RED	PTE-02R	PTD-02R
Yellow	PTE-02Y	PTD-02Y
Green	PTE-02G	PTD-02G
Blue	PTE-02B	PTD-02B
*Clear	PTE-02C	PTD-02C

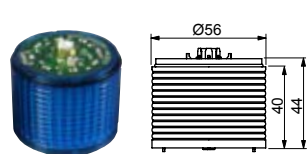
*Clear Module cannot be used with Buzzer.

Locking Bolts

Number of LED Stacks	Part Number	Size
1 Stack	B-PTE-1	M4, 65mm
2 Stacks	B-PTE-2	M4, 105mm
3 Stacks	B-PTE-3	M4, 145mm
4 Stacks	B-PTE-4	M4, 185mm
5 Stacks	B-PTE-5	M4, 225mm

*Note: Do NOT count Buzzer as a stack.

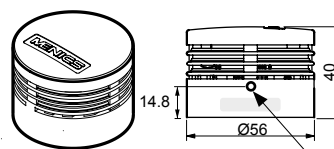
Standard Modules



Dome Head Modules



Buzzer Kits



Sound Level Adjuster

Buzzer Kits (Optional)

Buzzer Style	Part Number
Fixed Sound Level	MPZ-56F
Adjustable Sound Level	MPZ-56G

*Note: Max. number of tier including Buzzer is 5.

See Page 13-14 for Mounting Options and Accessories.

Specifications

Body Units

Operation/Function	Steady/ Flashing	
Power Supply	AC/DC 24V (±10%)	AC 90~240V 50/60 Hz (±10%)
Buzzer Sound Level	Fixed: 85dB Adjustable: 10~85dB	
Lens Color	Red, Yellow, Green, Blue & Clear	
Lens Diameter	56 mm (2.2 inch)	
Maximum Tier	5	
Flash Rate	80 times/ minute	
Vibration	3mm at 10~55Hz	
Ambient Temperature	-15°C~40°C	
Storage Temperature	-40°C ~ 70°C	
Ambient Humidity	45~85% RH	
Degree of Protection	NEMA 4x, IP65 / IP50 (with Buzzer)	
Approvals	CE , UL, RoHS	
Recommended Wire Size	1007 UL / 22 AWG	

LED Modules

		Red	Yellow	Green	Blue	Clear
Current / Power	Standard Module	27mA / 0.65W		35mA / 0.84W		
	Dome Head Module	58mA / 2.64W		52mA / 1.25W		53mA / 1.27W
Weight		Standard Module: 42.8g Dome Head Module: 53g				

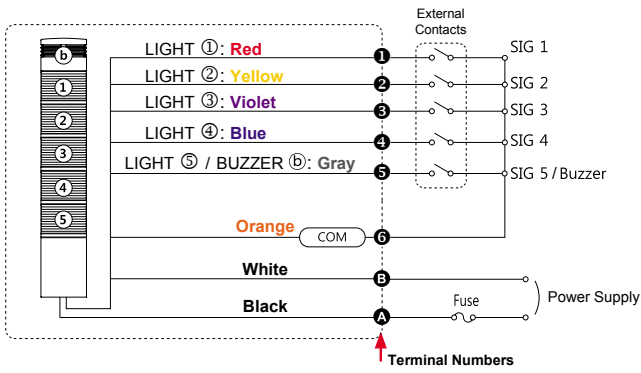
Buzzer Kits

Model	MPZ-56F	MPG-56G
Style	Fixed Sound Level	Adjustable Sound Level
Sound Level	85 dB	10~85 dB
Current Consumption / Power	30mA / 0.72W	30mA / 0.72W
Weight	32.2g	33g

Wiring Diagram

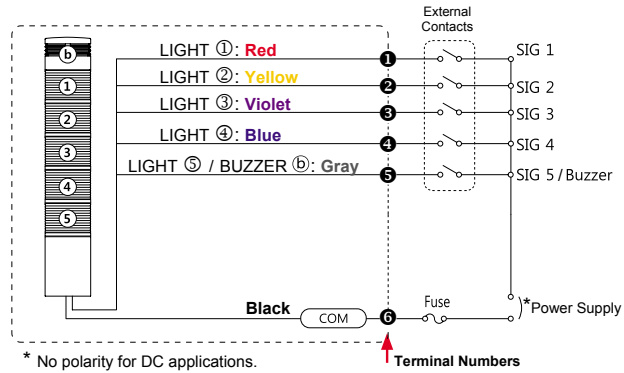
AC 90~240V Steady Lights

PTE-A-FF PTE-S-FF PTE-T□-FF



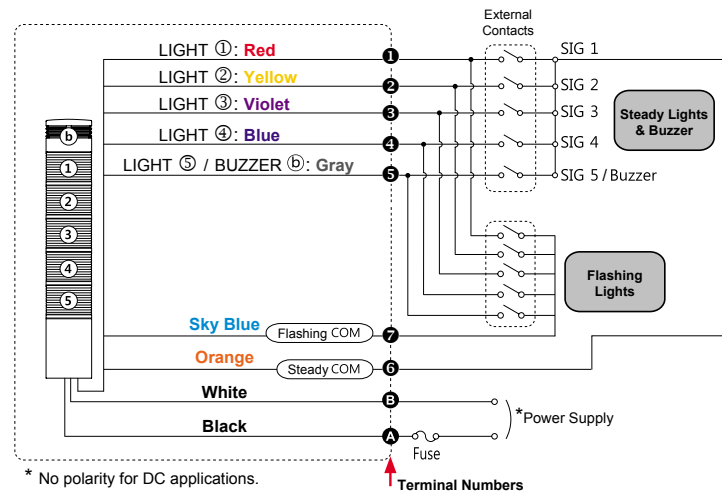
DC/AC 24V Steady Lights

PTE-A-02 PTE-S-02 PTE-T□-02

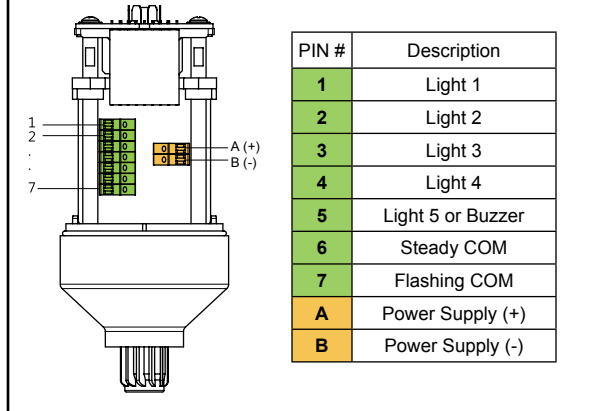


AC 90~240V DC/AC 24V Steady & Flashing Lights

PTE-AF-02 PTE-AF-FF
PTE-SF-02 PTE-SF-FF
PTE-T□F-02 PTE-T□F-FF



Terminal Connections



PTM Ø56mm LED 3 colors in 1 Steady & Flashing with Buzzer

TOWER LIGHTS



- 3 colors in 1 LED modular components
- Bright & even light distribution through prism-cut lenses
- Fast & easy assembly with inter-locking construction
- 3 base body options
- Optional 85dB Buzzer (fixed or adjustable volume)
- NEMA 4x / IP65 rated
- RoHS compliant



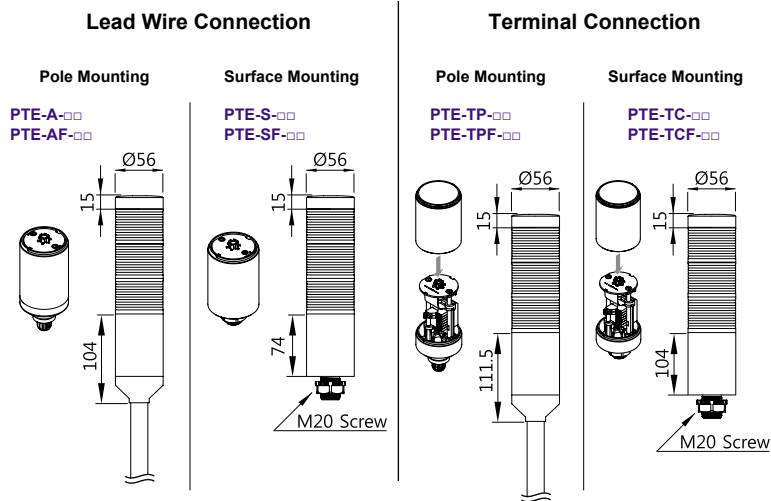
Order Information

Body Units

Body Type	Voltage	Part Number		
		Steady	Steady & Flashing	
Lead Wire Connection	Pole Mounting	AC 90~240V	PTE-A-FF	PTE-AF-FF
		DC/AC 24V	PTE-A-02	PTE-AF-02
	Surface Mounting	AC 90~240V	PTE-S-FF	PTE-SF-FF
		DC/AC 24V	PTE-S-02	PTE-SF-02
Terminal Connection	Pole Mounting	AC 90~240V	PTE-TP-FF	PTE-TPF-FF
		DC/AC 24V	PTE-TP-02	PTE-TPF-02
	Surface Mounting	AC 90~240V	PTE-TC-FF	PTE-TCF-FF
		DC/AC 24V	PTE-TC-02	PTE-TCF-02

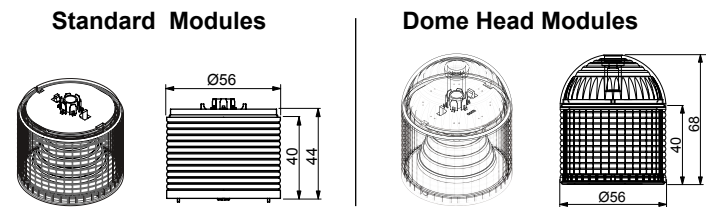
Dimensions

unit: mm



LED Modules

LED Color	Part Number	
	Standard Module	Dome Head Module
3 colors in 1 R/Y/G	PTM-02RYG	PTMD-02RYG
	PTM-02RBG	PTMD-02RBG

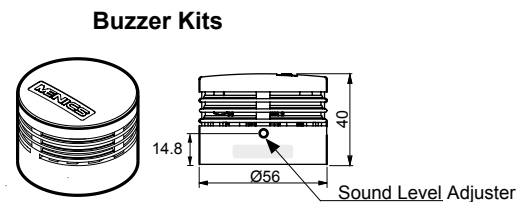


Locking Bolts

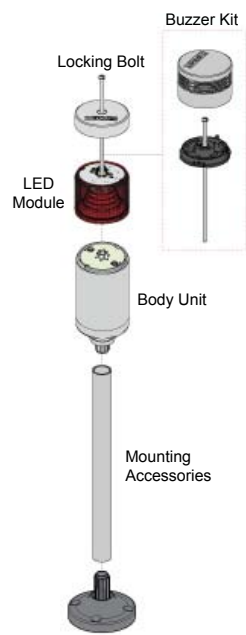
Part Number	Size
B-PTE-1	M4, 65mm

Buzzer Kits (Optional)

Buzzer Style	Part Number
Fixed Sound Level	MPZ-56F
Adjustable Sound Level	MPZ-56G



See Page 13-14 for Mounting Options and Accessories.



Specifications

Body Units

Operation/Function	Steady/ Flashing	
Power Supply	AC/DC 24V (±10%)	AC 90~240V 50/60 Hz (±10%)
Buzzer Sound Level	Fixed: 85dB Adjustable: 10~85dB	
Lens Color	3 colors in 1 module: Red/Yellow/Green, Red/Blue/Green	
Lens Diameter	56 mm (2.2 inch)	
Maximum Tier	2	
Flash Rate	80 times/ minute	
Vibration	3mm at 10~55Hz	
Ambient Temperature	-15°C~40°C	
Storage Temperature	-40°C ~ 70°C	
Ambient Humidity	45~85% RH	
Degree of Protection	NEMA 4x, IP65 / IP50 (with Buzzer)	
Approvals	CE, UL, RoHS	
Recommended Wire Size	1007 UL / 22 AWG	

LED Modules

Color		3 colors in 1			
		R/Y/G		R/B/G	
Current / Power	Standard Module	R	30mA / 0.72W	R	30mA / 0.72W
		Y		G	
		G	25mA / 0.6W	B	25mA / 0.6W
	Dome Head Module	R	58mA / 2.64 W	R	58mA / 2.64 W
		Y		G	
		G	52mA / 1.25W	B	52mA / 1.25W
Weight	Standard Module: 42.8g		Dome Head Module: 53g		

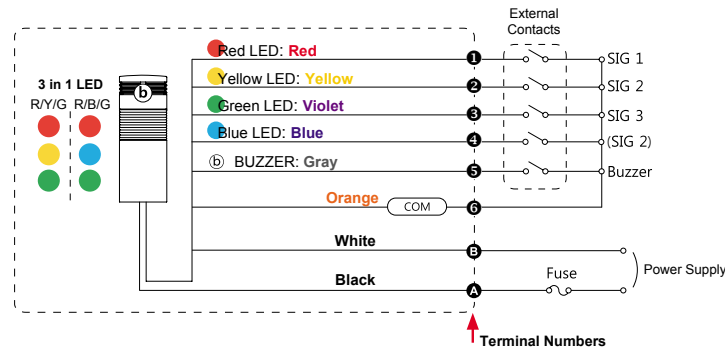
Buzzer Kits

Model	MPZ-56F	MPG-56G
Style	Fixed Sound Level	Adjustable Sound Level
Sound Level	85 dB	10~85 dB
Current Consumption / Power	30mA / 0.72W	30mA / 0.72W
Weight	32.2g	33g

Wiring Diagram

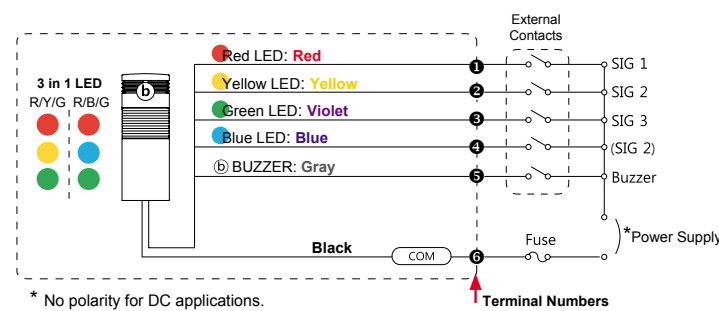
AC 90~240V Steady Lights

PTE-A-FF PTE-S-FF PTE-T□-FF



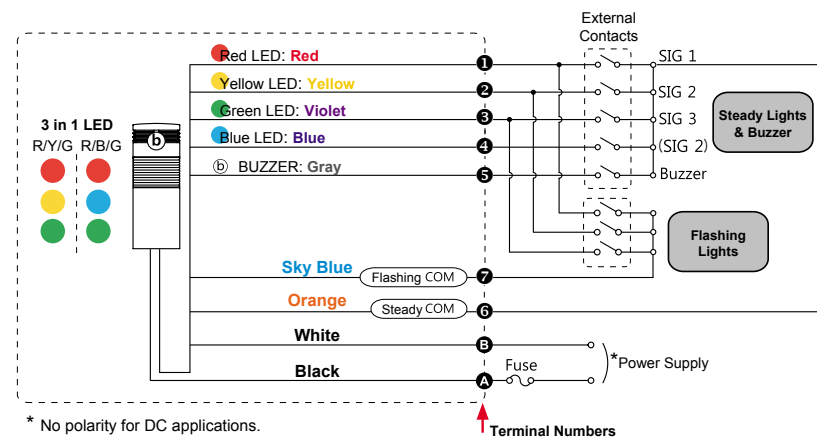
DC/AC 24V Steady Lights

PTE-A-02 PTE-S-02 PTE-T□-02

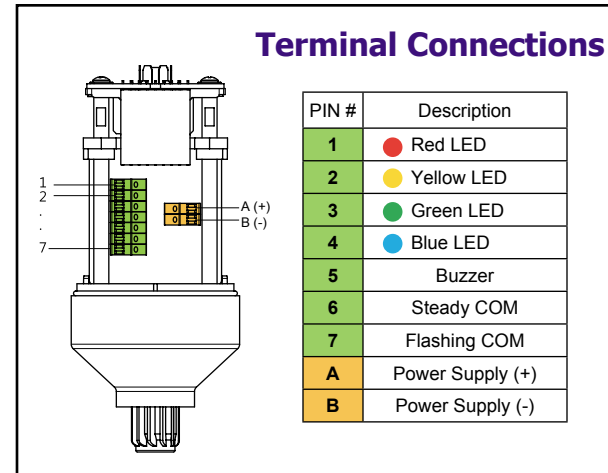


AC 90~240V DC/AC 24V Steady & Flashing Lights

PTE-AF-02 PTE-AF-FF
PTE-SF-02 PTE-SF-FF
PTE-T□F-02 PTE-T□F-FF



Terminal Connections



PRE Ø56mm LED Steady & Flashing with Buzzer

TOWER LIGHTS



- Long life and reliability
- Prism-cut lenses for even light distribution
- Surface, Pole or Wall Mounted (Order poles & bases separately)
- Wire leads
- Add-on Buzzer (80 dB) kit available



Order Information

PRE	F	-	5	01	-	RYGBC
①	②	③	④			
① Light Style			Steady			
	F		Steady & Flashing			
② Number of Stacks	1		1 Light			
	2		2 Lights			
	3		3 Lights			
	4		4 Lights			
	5		5 Lights			
③ Power Supply	01		DC/AC 12V			
	02		DC/AC 24V			
	10		AC 110V			
	20		AC 220V			
④ Lens Colors (top to bottom)	R		Red			
	Y		Yellow			
	G		Green			
	B		Blue			
	C		Clear			

Specifications

Power Supply	12V AC/DC	24V AC/DC	120/240V AC	
Current Draw	1 Stack	54 mA	28 mA	25 mA
	2 Stack	109 mA	62 mA	57 mA
	3 Stack	169 mA	102 mA	91 mA
	4 Stack	223 mA	136 mA	124 mA
	5 Stack	275 mA	169 mA	155 mA
Buzzer	—	—	30 mA	
Sound Level	—	—	80 dB	
Flashing rate	80 times/minute			
Rating	IP 56			

Optional Orders

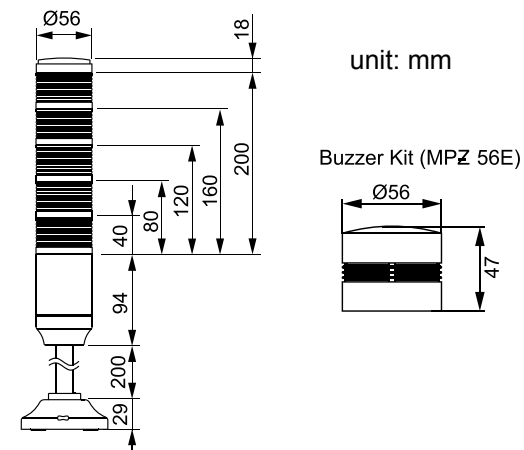
PART	PART NUMBER	DESCRIPTION
Buzzer	MPZ-56E	Ø56mm, 80dB (30mA), 24~240V DC/AC *Buzzer is not available for 12V DC/AC.

Replacement Parts

LED	PRELED-5(□)	24~240V AC/DC
	PRELED-5(□)-12	12V AC/DC
Lens	PEL-5(□)	—

(□): indicates color of LED or Lens; R, Y, G, B or C

Dimensions



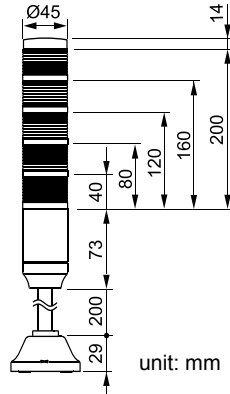
See Page 13-14
for Mounting Options and Accessories.

PME Ø45mm LED Steady & Flashing

TOWER LIGHTS



- Long life and reliability
- Prism-cut lenses for even light distribution
- Surface, Pole or Wall Mounted (Order poles & bases separately)
- Wire leads



Specifications

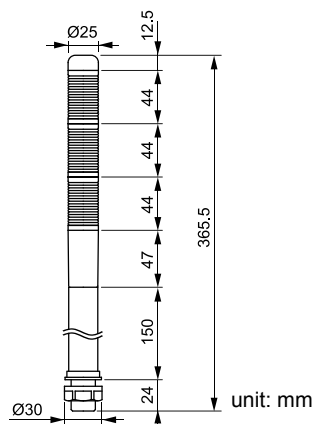
Power Supply	12V AC/DC	24V AC/DC	100-220V AC
1 Stack	41 mA	27 mA	28 mA
2 Stack	89 mA	57 mA	60 mA
3 Stack	149 mA	95 mA	99 mA
4 Stack	204 mA	125 mA	131 mA
5 Stack	240 mA	155 mA	163 mA
Flashing rate	80 times/minute		
Rating	IP 56		

PAE Ø25mm LED Steady & Flashing

TOWER LIGHTS



- Long life and reliability
- Prism-cut lenses for even light distribution
- Surface, Pole or Wall Mounted (Order poles & bases separately)
- Wire leads



Specifications

Power Supply	12V AC/DC	24V AC/DC
1 Stack	30 mA	25 mA
2 Stack	65 mA	60 mA
3 Stack	100 mA	90 mA
4 Stack	135 mA	120 mA
5 Stack	170 mA	150 mA
Flashing rate	80 times/minute	
Rating	IP 56	

Order Information

PME	F	5	01	RYGBC
①	②	③	④	
Light Style				Steady
	F			Steady & Flashing
Number of Stacks	1			1 Light
	2			2 Lights
	3			3 Lights
	4			4 Lights
	5			5 Lights
Power Supply	01			DC/AC 12V
	02			DC/AC 24V
	FF			AC 90~240V
Lens Colors (top to bottom)	R			Red
	Y			Yellow
	G			Green
	B			Blue
	C			Clear

Replacement Parts

LED	PMELED-4(□)	24~240V AC/DC
	PMELED-4(□)-12	12V AC/DC
Lens	PML-4(□)	—

(□): indicates color of LED or Lens; R, Y, G, B or C

See Page 13-14 for Mounting Options and Accessories.

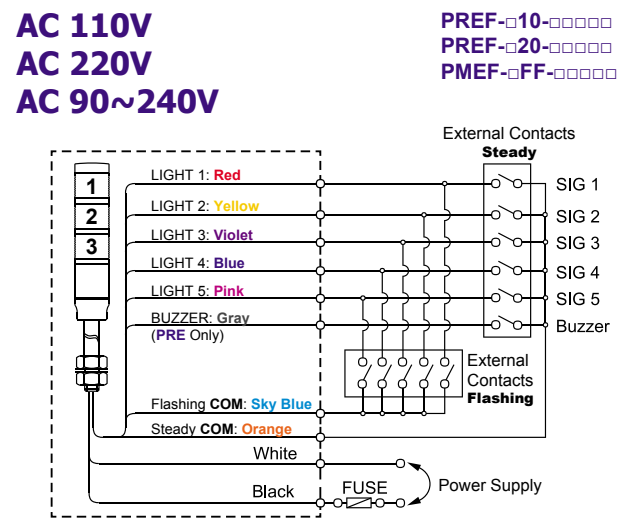
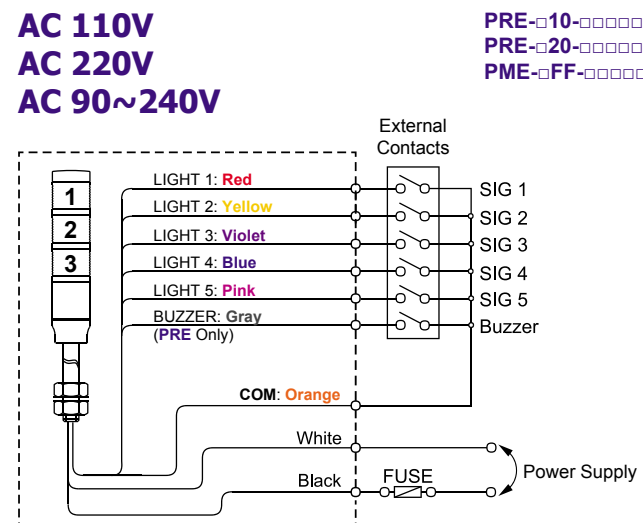
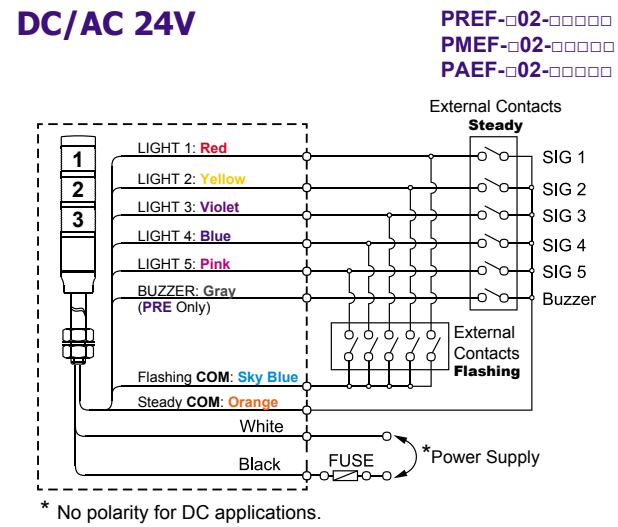
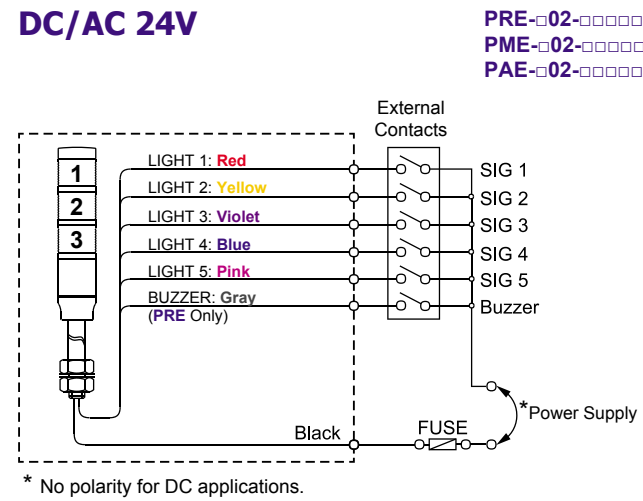
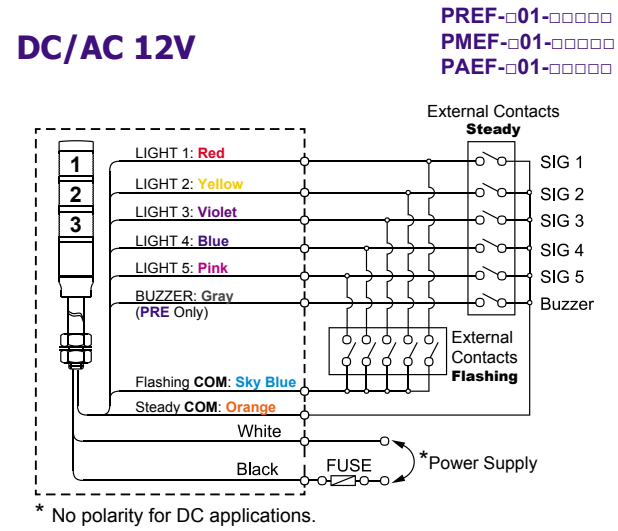
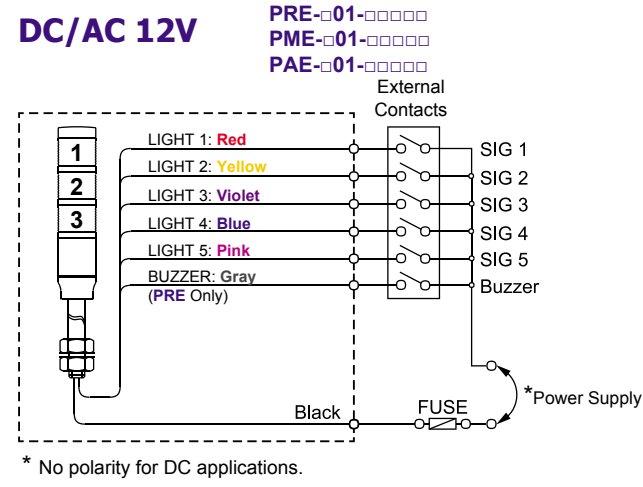
Order Information

PAE	F	M	G	5	01	RYGBC
①	②	③	④	⑤	⑥	
Light Style						Steady
	F					Steady & Flashing
Mounting						Standard
	M					Pole Mount
	R					90° Bracket
Pole Length						No Pole
	G					51mm pole
	P					150mm pole
Number of Stacks	1					1 Light
	2					2 Lights
	3					3 Lights
	4					4 Lights
	5					5 Lights
Power Supply	01					DC/AC 12V
	02					DC/AC 24V
Lens Colors (top to bottom)	R					Red
	Y					Yellow
	G					Green
	B					Blue
	C					Clear

PRE / PME / PAE Wiring Diagram

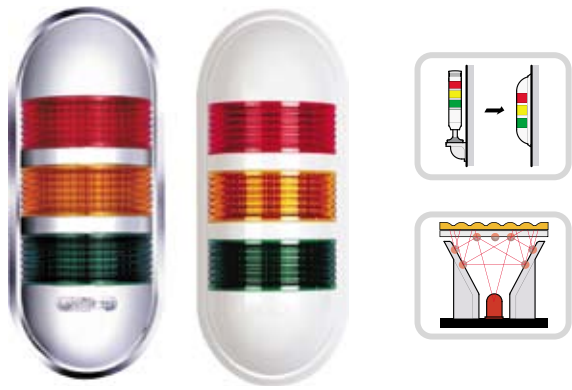
Steady Lights

Steady & Flashing Lights



PWE Wall Mounted LED Tower Lights with Buzzer

TOWER LIGHTS



- Slim Profile Wall Mount
- Easy Mounted vertically and horizontally
- Equivalent brightness in every angle
- Steady and flashing lights
- Vibration and moisture resistant
- Chrome or tan colored body

Order Information

PWE **C** **F** - **3** **02** - **RYG**

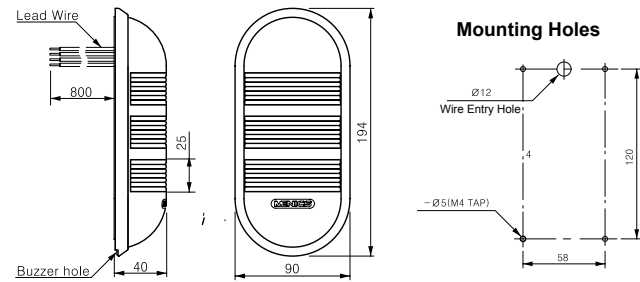
① ② ③ ④ ⑤

① Housing Color	C	Chrome
		Cream
② Light Style	F	Steady & Flashing
	B	Steady with Buzzer
	Z	Steady & Flashing with Buzzer
③ Number of Stacks	1	1 Light
	2	2 Lights
	3	3 Lights
④ Power Supply	02	DC/AC 24V
	FF	AC 90~240V
⑤ Lens Colors (top to bottom)	R	Red
	Y	Yellow
	G	Green

Specifications

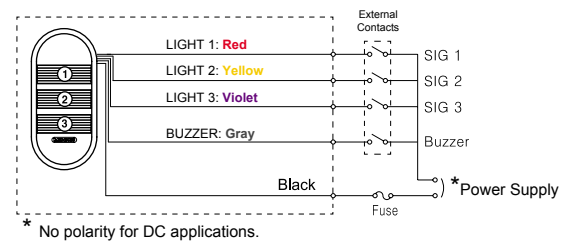
Power Supply	24V AC/DC	90~240V AC	
Current Draw	1 Stack	28 mA	30 mA
	2 Stack	63 mA	65 mA
	3 Stack	103 mA	100 mA
Sound Level	85 dB		
Flashing rate	80 times/minute		
Rating	IP 65/ IP 56 with Buzzer		

Dimensions

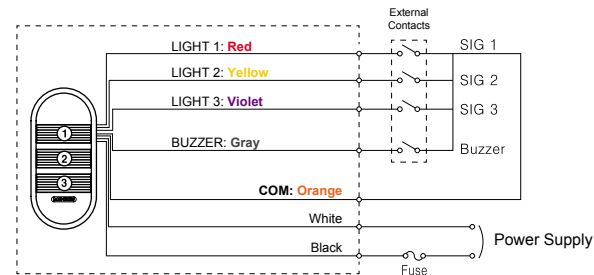


Wiring Diagram

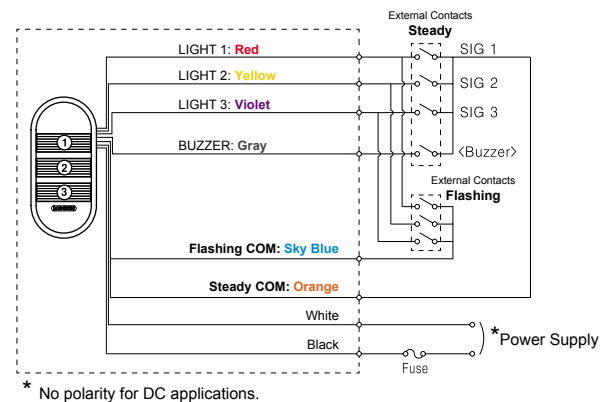
DC/AC 24V
Steady Lights (with Buzzer) PWE-02-000 PWEB-02-000



AC 90~240V
Steady Lights (with Buzzer) PWE-0FF-000 PWEB-0FF-000



AC 90~240V
DC/AC 24V
Steady & Flashing Lights (with Buzzer) PWEF-02-000 PWEZ-02-000 PWEF-0FF-000



MT5C/8C Ø56mm / Ø85mm Steady & Flashing with Buzzer

TOWER LIGHTS



Incandescent or LED

- Optional LED bulbs available
- Selectable Steady or Flashing Modes
- Prism-cut lenses for even light distribution
- Surface, Pole or Wall Mounted (Order poles & bases separately)
- Wire leads or Terminal connection
- Add-on Buzzer (80 dB) kit available
- NEMA 12, 3R / IP56 rated



Order Information

MT 5 C 5 A L - RYGB C

① ② ③ ④ ⑤ ⑥

① Lens Diameter	5	Ø56mm
	8	Ø85mm
② Light Style	C	Steady & Flashing
③ Number of Stacks	1	1 Light
	2	2 Lights
	3	3 Lights
	4	4 Lights
	5	5 Lights
④ Power Supply	A	DC/AC 24V
	B	AC 110~120V
	C	AC 220~240V
⑤ Connection	L	Lead Wires
	T	Screw Terminals
⑥ Lens Colors (top to bottom)	R	Red
	Y	Yellow
	G	Green
	B	Blue
	C	Clear

Optional Orders

Buzzer Kits

MPZ - 56 A

Power Supply	
A	DC/AC 24V, 80dB (30mA)
B	AC 110~120V, 80dB (30mA)
C	AC 220~240V, 80dB (30mA)
Buzzer Size (Diameter)	
56	Ø56mm (for MT5C Series)
85	Ø85mm (for MT8C Series)

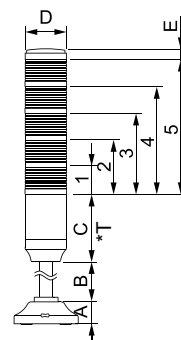
Replacement Parts

LED		LED-T15-D-24-(□)	DC 24V
		LED-T15-D-110-(□)	AC 110~120V
		LED-T15-D-220-(□)	AC 220~240V
BULB		MAB-T15-D-024-10	DC/AC 24V, 10W
		MAB-T15-D-120-10	AC 110~120V, 10W
		MAB-T15-D-240-10	AC 220~240V, 10W
Lens	-	MAL-5(□)	Ø56mm
		MAL-8(□)	Ø85mm

(□): indicates color of LED or Lens; R, Y, G, B or C

Dimensions

unit: mm

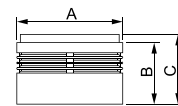


Symbol	Model	
	MT5C	MT8C
A	29	29
B	185	185
C	95	108
*T	173	188
D	56	85
E	15	15
1	68	68
2	136	136
3	204	204
4	272	272
5	340	340

*T: Terminal board style

Buzzer Kit

MPZ-56
MPZ-85



Symbol	MPZ-56	MPZ-85
A	56	86
B	48	50
C	54	56

Specifications

Power Supply		24V AC/DC	110~120V AC	220~240V AC
Current Draw	Bulb	1 Stack	54 mA	28 mA
		2 Stack	109 mA	62 mA
		3 Stack	169 mA	102 mA
		4 Stack	223 mA	136 mA
		5 Stack	275 mA	169 mA
	LED	Per Stack	180 mA	35 mA
Buzzer		30 mA		
LED Life-Span		10,000 hours (minimum)		
Sound Level		80 dB		
Flashing rate		80 times/minute		
Rating		NEMA 12, 3R / IP 56		
Approvals		UL, cUL, CE		

See Page 13-14
for Mounting Options and Accessories

MT4B/5B/8B Ø45mm / Ø56mm / Ø86mm Steady

TOWER LIGHTS



Incandescent or LED

- Optional LED bulbs available (12VDC & 24VDC ONLY)
- Long life and reliability
- Prism-cut lenses for even light distribution
- Surface, Pole or Wall Mounted
(Order poles & bases separately)
- Wire leads or Terminal connection
- NEMA 12, 3R / IP56 rated



Order Information

MT	4	B	5	A	L	- RYGBC	
	①	②	③	④	⑤	⑥	
① Lens Diameter		4	Ø45mm	5	Ø56mm	8	Ø85mm
② Light Style		B	Steady				
③ Number of Stacks		1	1 Light	2	2 Lights	3	3 Lights
		4	4 Lights	5	5 Lights		
④ Power Supply		D	DC/AC 12V	A	DC/AC 24V	B	AC 110~120V
		C	AC 220~240V				
⑤ Connection		L	Lead Wires				
⑥ Lens Colors (top to bottom)		R	Red	Y	Yellow	G	Green
		B	Blue	C	Clear		

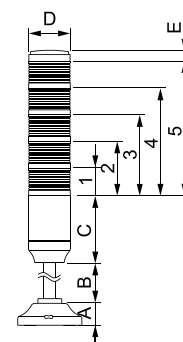
Optional Orders

Replacement Parts

Model	Part	Part Number	Voltage
MT4B	LED	LED-T09-S-12-(□)	DC 12V
		LED-T09-S-24-(□)	DC 24V
	BULB	MAB-T09-S-012-05	DC/AC 12V, 5W
		MAB-T09-S-024-05	DC/AC 24V, 5W
		MAB-T09-S-130-05	AC 110~120V, 5W
MAB-T09-S-240-05		AC 220~240V, 5W	
Lens	MAL-4-(□)	Ø45mm	
MT5B MT8B	LED	LED-T15-D-12-(□)	DC 12V
		LED-T15-D-24-(□)	DC 24V
		LED-T15-D-110-(□)	AC 110~120V
		LED-T15-D-220-(□)	AC 220~240V
	BULB	MAB-T15-D-012-10	DC/AC 12V, 10W
		MAB-T15-D-024-10	DC/AC 24V, 10W
		MAB-T15-D-120-10	AC 110~120V, 10W
		MAB-T15-D-240-10	AC 220~240V, 10W
	Lens	MAL-5-(□)	Ø56mm
		MAL-8-(□)	Ø86mm

(□): indicates color of LED or Lens; R, Y, G, B or C

Dimensions



unit: mm

Symbol	Model		
	MT4B	MT5B	MT8B
A	29	29	29
B	185	185	185
C	72	95	108
D	45	56	86
E	10.5	15	15
1	46	68	68
2	92	136	136
3	138	204	204
4	184	272	272
5	230	340	340

Specifications

Power Supply	12V AC/DC	24V AC/DC	100-220V AC
Current Draw	1 Stack	41 mA	28 mA
	2 Stack	89 mA	60 mA
	3 Stack	149 mA	99 mA
	4 Stack	204 mA	131 mA
	5 Stack	240 mA	163 mA
Flashing rate	80 times/minute		
Rating	IP 56		

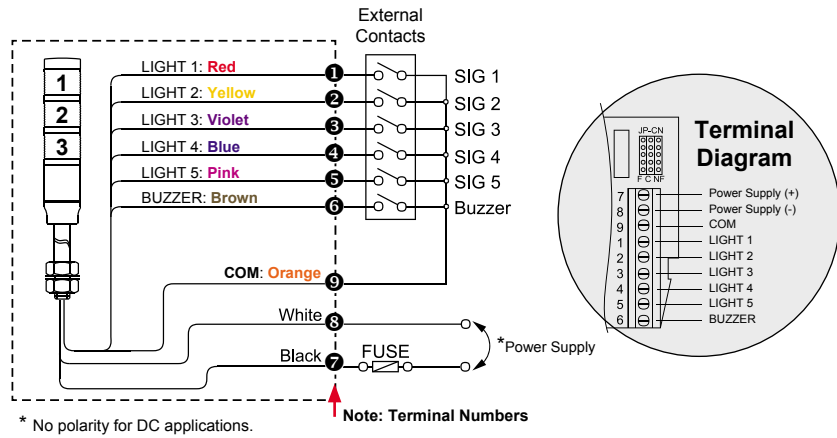
See Page 13-14 for Mounting Options and Accessories

MT5C/8C & MT4B/5B/8B Wiring Diagram

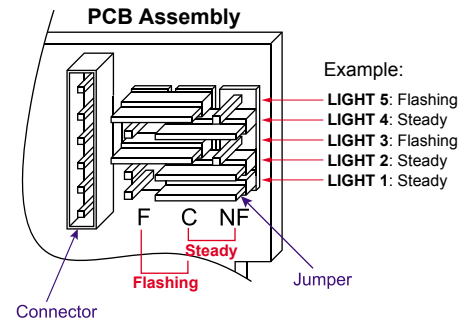
MT5C/8C

DC/AC 24V
Steady or Flashing (with Buzzer)

MT5C□AL-□□□□ MT8C□AL-□□□□
MT5C□AT-□□□□ MT8C□AT-□□□□

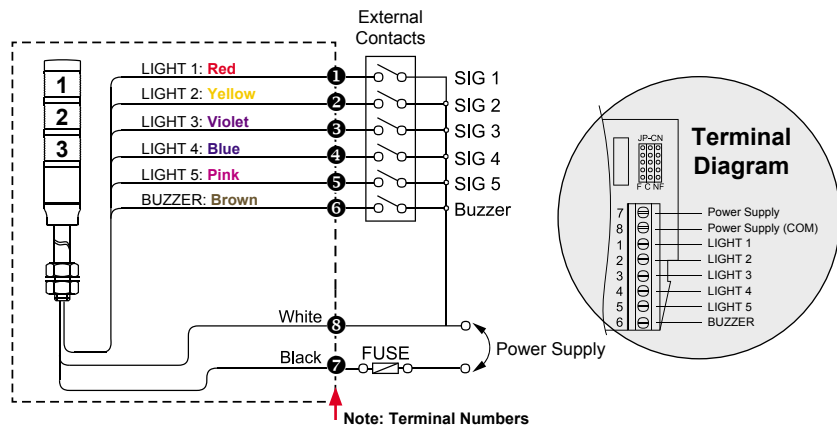


Steady/Flashing Selection



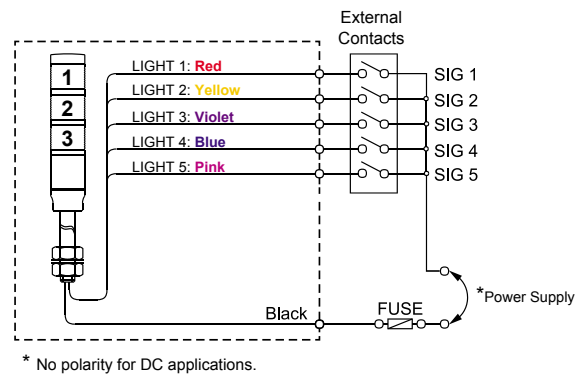
AC 110~120V
AC 220~240V
Steady or Flashing Lights (with Buzzer)

MT5C□BL-□□□□ MT8C□BL-□□□□
MT5C□BT-□□□□ MT8C□BT-□□□□
MT5C□CL-□□□□ MT8C□CL-□□□□
MT5C□CT-□□□□ MT8C□CT-□□□□



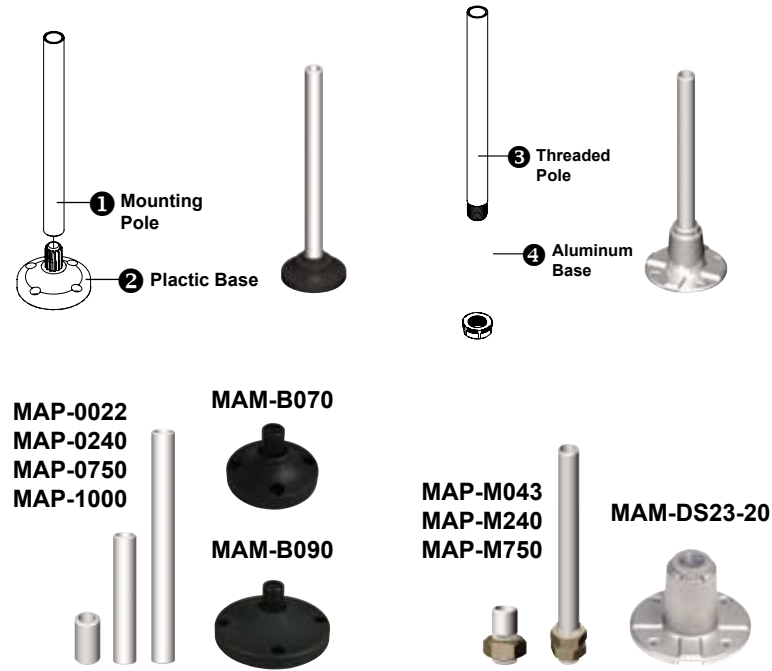
MT4B/5B/8B

AC/DC 12V **AC 110~120V**
AC/DC 24V **AC 220~240V**
Steady Lights



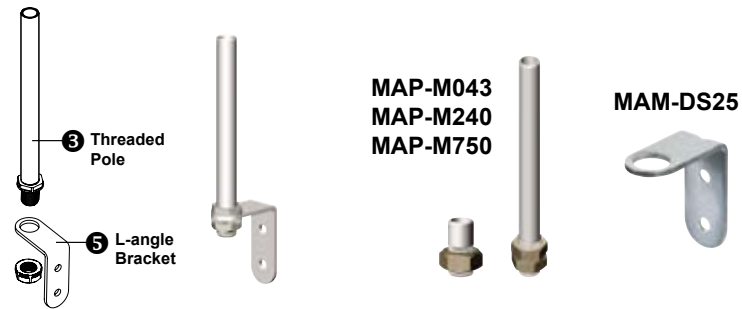
Pole Mounting with Base

Part	Part #	Description
1	MAP-0022	Ø20mm, 0.87 in (22 mm) pole
	MAP-0240	Ø20mm, 9.45 in (240 mm) pole
	MAP-0750	Ø20mm, 29.53 in (750 mm) pole
	MAP-1000	Ø20mm, 39.37 in (1000 mm) pole
2	MAM-B070	Ø70mm Plastic Base
	MAM-B090	Ø90mm Plastic Base
3	MAP-M043	Ø20mm, 1.69 in (43 mm) threaded pole with 1 nut
	MAP-M240	Ø20mm, 9.45 in (240 mm) threaded pole with 2 nuts
	MAP-M750	Ø20mm, 29.53 in (750 mm) threaded pole with 1 nut
4	MAM-DS23-20	Aluminum Base



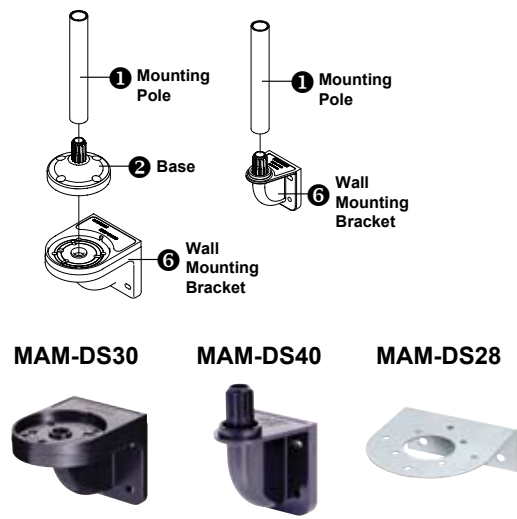
L-angle Mounting with Bracket

Part	Part #	Description
3	MAP-M043	Ø20mm, 1.69 in (43 mm) threaded pole with 1 nut
	MAP-M240	Ø20mm, 9.45 in (240 mm) threaded pole with 2 nuts
	MAP-M750	Ø20mm, 29.53 in (750 mm) threaded pole with 1 nut
5	MAM-DS25	L-angle Bracket



Wall Mounting with Bracket

Part	Part #	Description
1	MAP-0022	Ø20mm, 0.87 in (22 mm) pole
	MAP-0240	Ø20mm, 9.45 in (240 mm) pole
	MAP-0750	Ø20mm, 29.53 in (750 mm) pole
	MAP-1000	Ø20mm, 39.37 in (1000 mm) pole
2	MAM-B070	Plastic Base
6	MAM-DS30-BLK	Plastic Wall Mounting Bracket, Black (Pole & Base required)
	MAM-DS30-BGE	Plastic Wall Mounting Bracket, Beige (Pole & Base required)
	MAM-DS40-BLK	Plastic Wall Mounting Bracket, Black (Pole required)
	MAM-DS40-BGE	Plastic Wall Mounting Bracket, Beige (Pole required)
	MAM-DS28	Metal Wall Mounting Bracket (Pole & Base required)



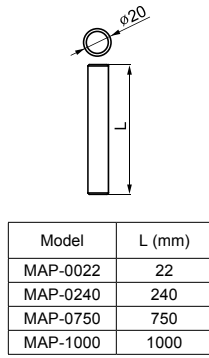
NPT Mounting with NPT Adaptor



Accessories

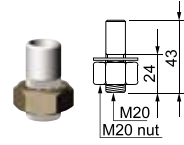
Mounting Poles

MAP-0022
MAP-0240
MAP-0750
MAP-1000

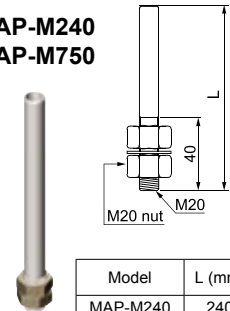


Threaded Poles

MAP-M043



MAP-M240
MAP-M750



Model	L (mm)
MAP-M240	240
MAP-M750	750

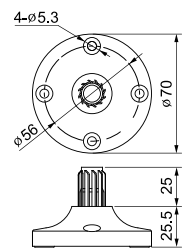
NPT Adaptor

MAP-NPT1/2

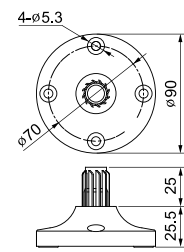


Mounting Bases

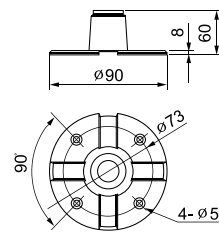
MAM-B070



MAM-B090

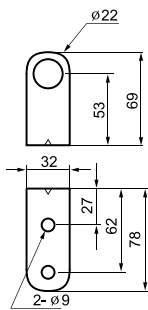


MAM-DS23-20

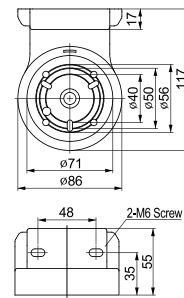


Wall Mount Brackets

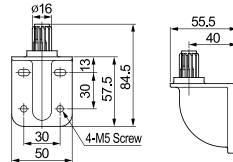
MAM-DS25



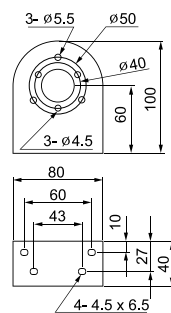
MAM-DS30



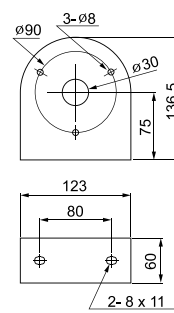
MAM-DS40



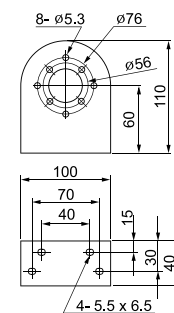
MAM-DS26



MAM-DS27



MAM-DS28



MS86 Ø86mm LED Steady & Flashing / Xenon Strobe Lights

SIGNAL LIGHTS



- Ultra bright LED or Xenon lights
- Wide light distribution with prism-cut dome-shaped lens
- Outstanding visibility at distance
- Selectable Steady or Flashing Modes for LED lights
- PCB module style Xenon lamp
- Fast and easy replacement of lamp
- Red, Yellow, Green, Blue and lens available
- IP65 rated



Order Information

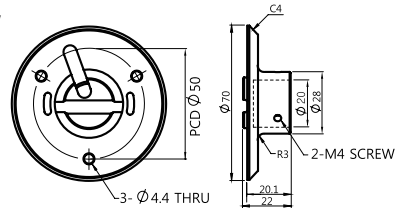
MS86	L-F	02	-	R
Lens Colors				
R	Red			
Y	Yellow			
G	Green			
B	Blue			
C	Clear			
Power Supply				
02	AC/DC 12~24V (AC/DC 24V for LED Style)			
10	AC 110V			
Light Style				
L-F	LED Steady & Flashing			
L-B	LED Steady & Flashing with Buzzer			
S-SD	Xenon Strobe			

Optional Orders

Pole Mount Adaptor



MAM-DS31



Pole Mounting Example

Wall Mount Brackets



MAM-DS30-BLK (Black)
MAM-DS30-BGE (Beige)



MAM-DS26

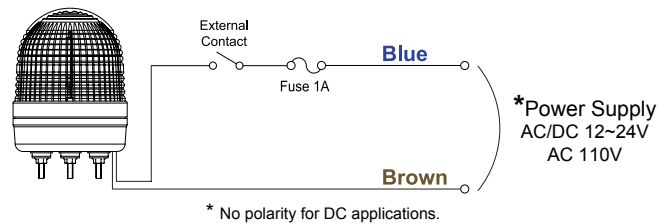
Replacement Parts

Xenon PCB Module	MS86S-LAMP-02	AC/DC 12~24V
	MS86S-LAMP-10	AC 110V
Lens	LENS-MS86-(□)	Dome Lens

(□): indicates color of Lens; R, Y, G, B or C

NOTE: See Page 13 & 14 for Mounting Options and Dimensions.

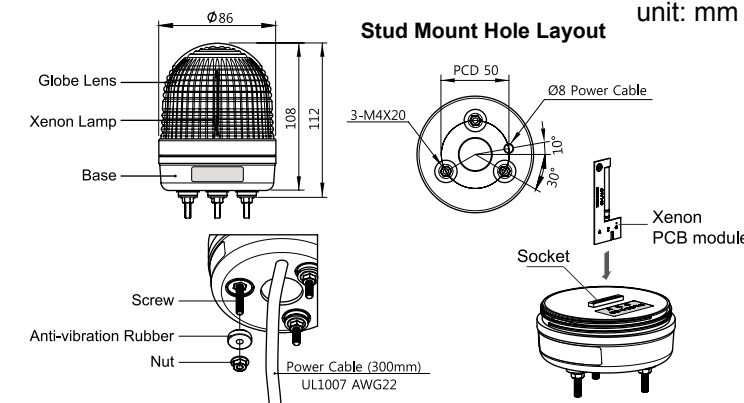
Wiring Diagram



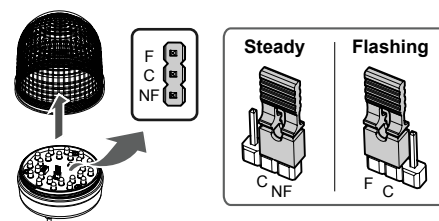
Specifications

Model	MS86L		MS86S	
Style	LED Steady/Flashing		Xenon Strobe	
Power Supply	AC/DC 24V	AC 110V	AC/DC 12-24V	AC 110V
Current Consumption	Red	120mA	200mA max. dash current: 600mA	220mA 6W
	Yellow	120mA		
	Green	140mA		
	Blue	140mA		
	Clear	140mA		
Flash (Strobe Pulse) Rate	80 time/minute ± 3%		60 times/minute ± 3%	
Sound Level	max. 85dB at 1m		—	
Dielectric Strength	500VAC for 1 min.			
Vibration	15~55 Hz; xyz/60min (70m/s ² , 7G)			
Insulation Resistance	1MΩ (at 500VDC mega)			
Ambient Temperature	-30~40°C		-20~70°C	
Storage Temperature	-25~85°C			
Ambient Humidity	45~85% RH			
Degree of Protection	IP65 (IP52 with Buzzer)		IP65	
Recommended Wire Size	PUR Ø5/PVC Ø5 2P/0.3SQ			
Weight	0.3kg ± 5%			

Dimensions



LED Light Steady/Flashing Selection



ML Ø66mm Rotating/Flashing/Strobe Beacons

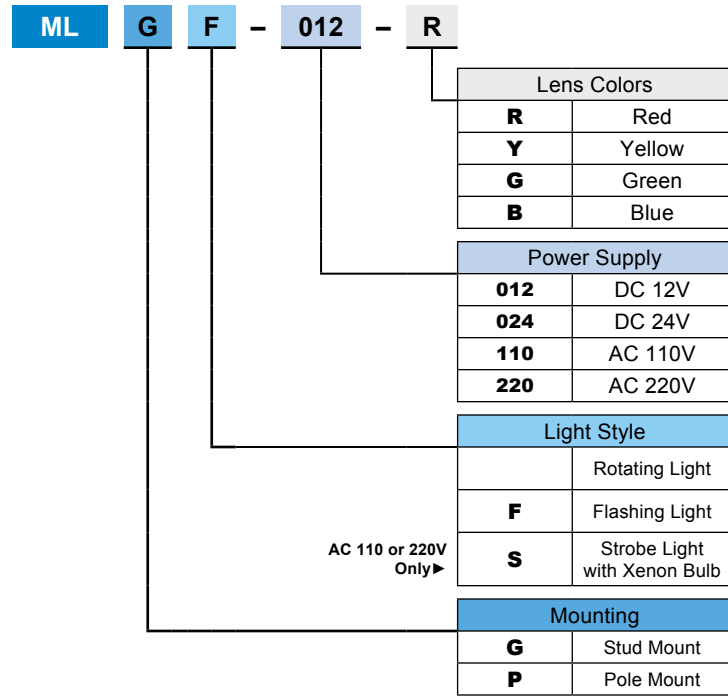


SIGNAL LIGHTS



- Incandescent or Xenon type
- Red, Yellow, Green and Blue lens available
- Smooth or Prism lens
- Stud or Pole mounted
- Wide range of power supply

Order Information

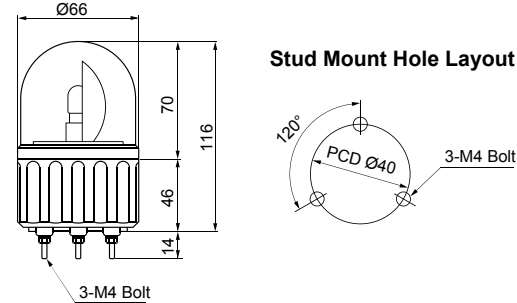


Specifications

Model	MLG/MLP	MLGF/MLPF	MLGS/MLPS
Bulb Type	Incandescent		Xenon
Power Supply	12VDC, 24VDC, 110VAC, 220VAC		110VAC, 220VAC
Current Draw & Wattage	12VDC	0.7A, 8W	—
	24VDC	0.3A, 8W	—
	110VAC	0.7A, 8W	0.22A, 6W
	220VAC	0.03A, 8W	0.11A, 6W
Rotation Rate	130 times/minute	—	
Flashing rate	—	80 times/minute	

Dimensions

unit: mm



Optional Orders

Replacement Parts

Bulb	MAB-T15-S-012-08	12V DC, 8 Watt
	MAB-T15-S-024-08	24V DC, 8 Watt
	MAB-T15-S-130-08	110V AC, 8 Watt
	MAB-T15-S-240-08	220V AC, 8 Watt
Xenon Bulb	MAB-STROBE-110-06	110/220V AC, 6 Watt
Lens	LENS-MLG-(□)	Smooth Lens for Rotating Lights
	LENS-MLGF/S-(□)	Prism Lens for Flashing/Strobe Lights

(□): indicates color of Lens; R, Y, G or B

Wall Mount Brackets



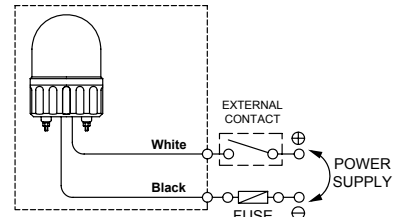
MAM-DS30-BLK (Black)
MAM-DS30-BGE (Beige)

NOTE: See Page 14 for Dimensions.

Wiring Diagram

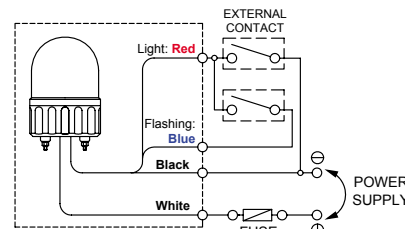
Rotating & Strobe Lights

MLG-□□□□ MLGS-□□□□
MLP-□□□□ MLPS-□□□□



Flashing Lights

MLGF-□□□□ MLPF-□□□□



ASG Ø86mm Rotating/Flashing/Strobe Beacons with Buzzer

SIGNAL LIGHTS



- Incandescent or Xenon type
- Red, Yellow, Green and Blue lens available
- Smooth lens
- Stud mounted
- Optional Wall Mounting Brackets available
- Wide range of power supply

Specifications

Model	ASG/ASGB	ASGF	ASGS
Bulb Type	Incandescent		Xenon
Power Supply	12VDC, 24VDC, 110/220VAC		110VAC, 220VAC
Current Draw & Wattage	12VDC	0.7A, 8W	—
	24VDC	0.3A, 8W	—
	110/220VAC	0.03A, 5W	—
	110VAC	—	0.22A, 6W
	220VAC	—	0.11A, 6W
Sound Level	80 dB	—	
Rotation Rate	130 times/minute	—	
Flashing rate	—	80 times/minute	

Order Information

ASG B - 012 - R

Lens Colors	
R	Red
Y	Yellow
G	Green
B	Blue

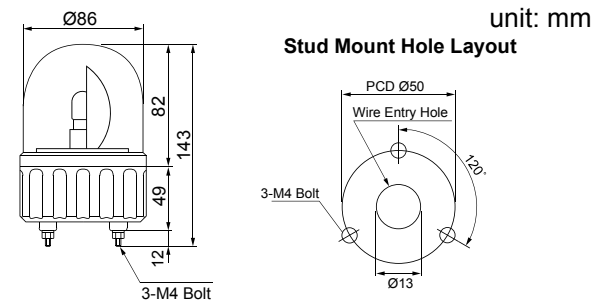
Power Supply	
012	DC 12V
024	DC 24V
110&220	AC 110/220V
110	AC 110V
220	AC 220V

Strobe Light Only [

Light Style	
	Rotating Light
B	Rotating Light with Buzzer
F	Flashing Light
S	Strobe Light with Xenon Bulb

AC 110 or 220V Only ▶

Dimensions



Optional Orders

Replacement Parts

Bulb	MAB-T15-S-012-08	12V DC, 8 Watt
	MAB-T15-S-024-08	24V DC, 8 Watt
	MAB-T15-S-012-05	110/220V AC, 5 Watt
Xenon Bulb	MAB-STROBE-110-06	110/220V AC, 6 Watt
Lens	LENS-ASG-(□)	Smooth Lens for Rotating Lights
	LENS-ASGF-(□)	Smooth Lens for Flashing/Strobe Lights

(□): indicates color of Lens; R, Y, G or B

Wall Mount Brackets



MAM-DS30-BLK (Black)
MAM-DS30-BGE (Beige)

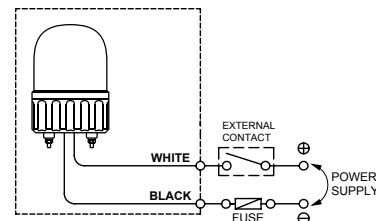
MAM-DS26

NOTE: See Page 14 for Dimensions.

Wiring Diagram

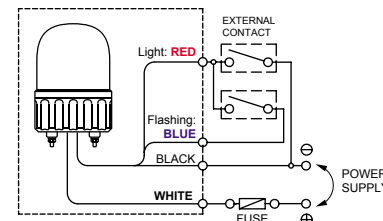
DC Rotating Lights

ASG-012-□ ASGB-012-□
ASG-024-□ ASGB-024-□



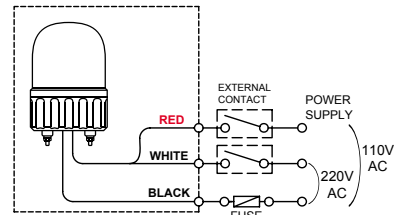
DC & AC Flashing Lights

ASGF-012-□ ASGF-110&220-□
ASGF-024-□



AC Rotating & Strobe Lights

ASG-110&220-□ ASGS-110-□
ASGB-110&220-□ ASGS-220-□



AVG Ø135mm Rotating Beacons with Buzzer

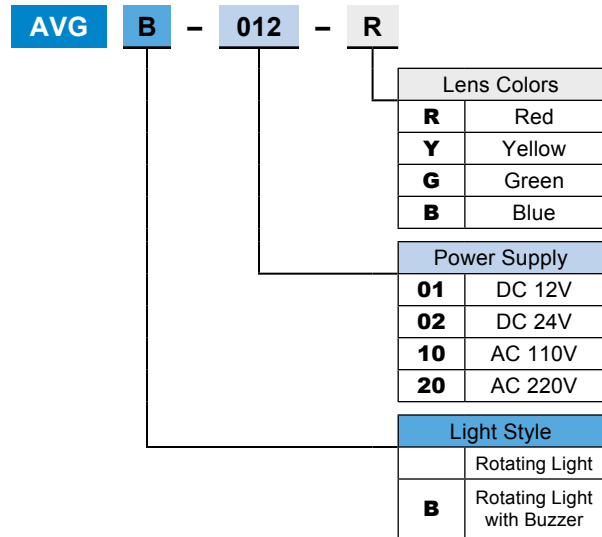


SIGNAL LIGHTS



- Incandescent type
- Red, Yellow, Green and Blue lens available
- Smooth lens
- Large rotating reflector
- Long life
- Stud mounted
- Optional Wall Mounting Bracket (MAM-DS27) available
- Buzzer (80dB) model available

Order Information

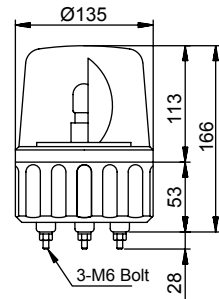


Specifications

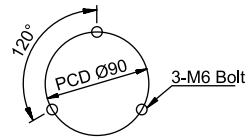
Model	AVG	AVGB
Bulb Type	Incandescent	
Power Supply	12VDC, 24VDC, 110VAC, 220VAC	
Current Draw & Wattage	12VDC	2.08A, 25W
	24VDC	1.04A, 25W
	110VAC	0.22A, 25W
	220VAC	0.11A, 25W
Sound Level	—	80 dB
Rotation Rate	150 times/minute	

Dimensions

unit: mm



Stud Mount Hole Layout



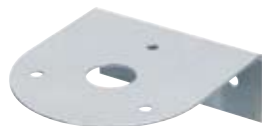
Optional Orders

Replacement Parts

Bulb	MAB-T15-D-012-25	12V DC, 25 Watt
	MAB-T15-D-024-25	24V DC, 25 Watt
	MAB-T15-D-130-25	110V AC, 25 Watt
	MAB-T15-D-240-25	220V AC, 25 Watt
Lens	LENS-AVG-(□)	Smooth Lens for Rotating Lights

(□): indicates color of Lens; R, Y, G or B

Wall Mount Brackets



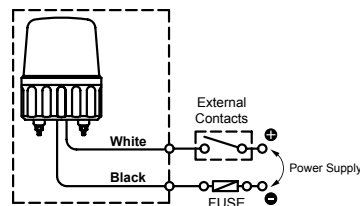
MAM-DS27

NOTE: See Page 14 for Dimensions.

Wiring Diagram

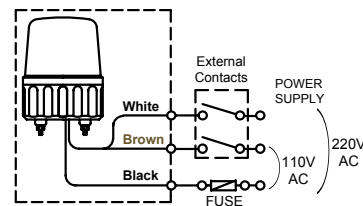
DC 12V & DC 24V

AVG-01-□ AVGB-01-□
AVG-02-□ AVGB-02-□



AC 110V & AC 220V

AVG-10-□ AVGB-10-□
AVG-20-□ AVGB-20-□



MSGS Rotating Beacon Tower with Audible Alarm



SIGNAL LIGHTS

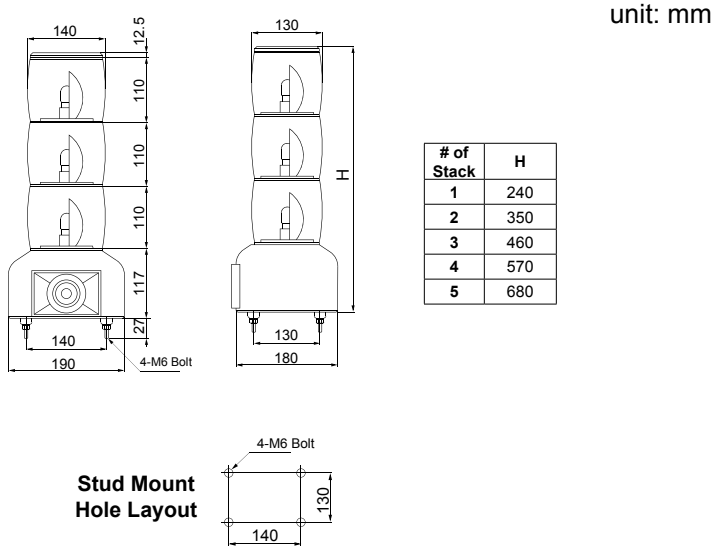


- Incandescent type
- Outstanding visibility by magnified lens
- Red, Yellow, Green, Blue or Clear lens available
- Large rotating reflector
- Selectable audio sounds: melody, two tone and siren (100dB)
- Stud mounted

Specifications

Model	MSGS	
Bulb Type	Incandescent	
Power Supply	12VDC, 24VDC, 110VAC, 220VAC	
Current Draw & Wattage	12VDC	2.08A, 25W
	24VDC	1.04A, 25W
	110VAC	2.08A, 25W
	220VAC	2.08A, 25W
Rotation Rate	150 times/minute	

Dimensions



Order Information

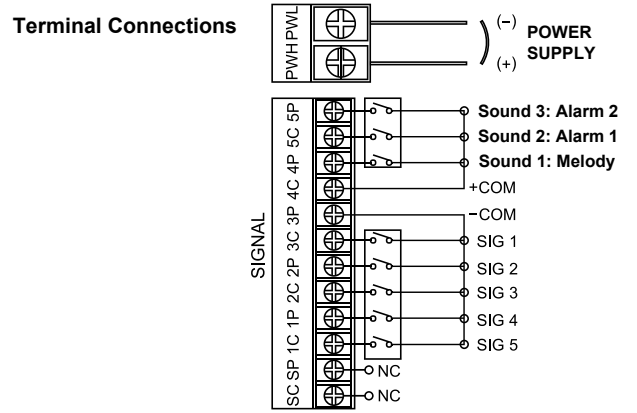
MSGS - 012 - 5 - RYGB C

Lens Colors (top to bottom)	
R	Red
Y	Yellow
G	Green
B	Blue
C	Clear

Number of Stacks	
1	1 Light
2	2 Lights
3	3 Lights
4	4 Lights
5	5 Lights

Power Supply	
012	DC 12V
024	DC 24V
110	AC 110V
220	AC 220V

Wiring Diagram



Optional Orders

Replacement Parts		
Bulb	MAB-T15-D-012-25	12V DC, 25 Watt
	MAB-T15-D-024-25	24V DC, 25 Watt
	MAB-T15-D-130-25	110V AC, 25 Watt
	MAB-T15-D-240-25	220V AC, 25 Watt
Lens	LENS-MSGS-(□)	Lens

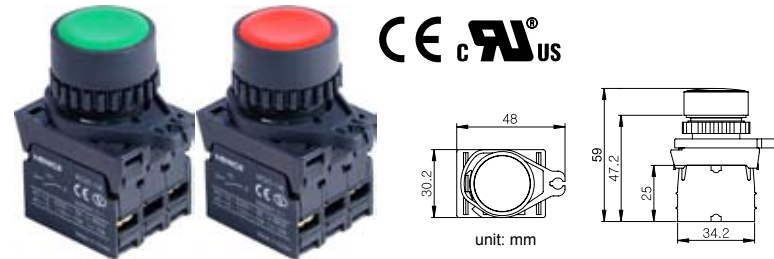
(□): indicates color of Lens; R, Y, G, B or C

*CAUTION: Do not operate more than one light at a time. It can cause over heat on transformers.

MC2 Ø22mm Push Buttons & Control Switches

Momentary Push Buttons

- Momentary Push
- Single Normally Open contact
- Flush Mount Accessory and Water Proof Protector available



MC2 - **P** **R** - **A**

CONTACT BLOCK	
A	NO Contact
B	NC Contact
COLOR	
R	RED
Y	YELLOW
G	GREEN
B	BLUE
K	BLACK
STYLE	
P	Momentary Push Button

Illuminated Push Buttons

- Momentary Push
- Single Normally Open contact included
- AC/DC LED configuration in various colors
- Flush Mount Accessory and Water Proof Protector available

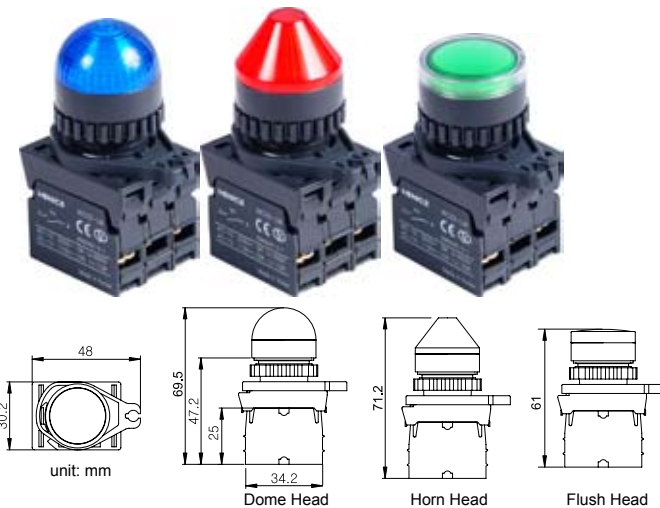


MC2 - **LPS** **R** - **A** **D**

LED	
D	12~30V DC/AC LED
L	110~220V AC LED
CONTACT BLOCK	
A	NO Contact
B	NC Contact
COLOR	
R	RED
Y	YELLOW
G	GREEN
B	BLUE
C	CLEAR
STYLE	
LPS	Illuminated Push Button

Pilot Lamps

- LED illumination with clear visibility
- AC/DC LED configuration in various colors

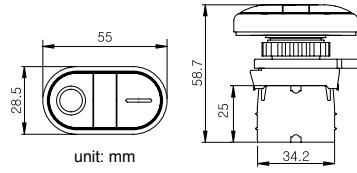


MC2 - **PI** **D** **R** - **D**

LED	
D	12~30V DC/AC LED
L	110~220V AC LED
COLOR	
R	RED
Y	YELLOW
G	GREEN
B	BLUE
C	CLEAR
HEAD STYLE	
D	Dome Head
H	Horn Head
F	Flush Head
STYLE	
PI	Pilot Lamp

Double Push Buttons

- Momentary Push
- Normally Open and Normally Closed contact blocks
- LED illumination

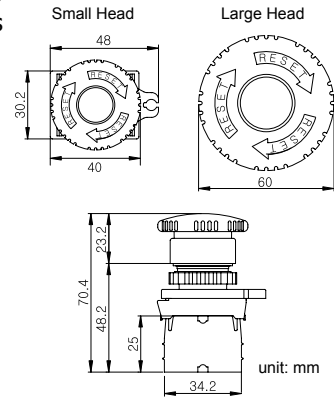


MC2 - **2P** **RG** - **AB** **D**

LED	
D	12~30V DC/AC LED
L	110~220V AC LED
CONTACT BLOCKS	
AB	1 NO Contact 1 NC Contact
COLOR	
RG	Red & Green
STYLE	
2P	Double Push Button

Emergency Stops

- Ø40 or Ø60mm Mushroom heads
- Push Lock & Twist-to-release
- Illuminated or non-illuminated styles
- UL, cUL, CE approved contact blocks

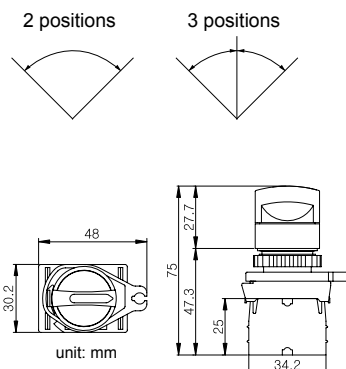


MC2 - **E** **S** **R** - **B** **D**

LED	
	Non-Illumination
D	12~30V DC/AC LED
L	110~220V AC LED
CONTACT BLOCK	
B	NC Contact
COLOR	
R	RED
HEAD	
S	Small Head (Ø40mm)
L	Large Head (Ø60mm)
STYLE	
E	Emergency Stop
LE	Illuminated Emergency Stop

Selector Switches

- Available in 2 or 3 position selection
- Fixed Position or Auto Spring Return Styles



MC2 - **S** **S** **W2** **S** - **A**

CONTACT BLOCK	
A	2 Positions Single NO contact
AA	3 Positions Double NO contacts
Function	
S	Fixed Position
M	Auto Spring Return
Number of Positions	
W2	2 Positions 90°
W3	3 Positions 45°
Selector Head	
S	Knob
L	Lever
STYLE	
S	Selector Switch

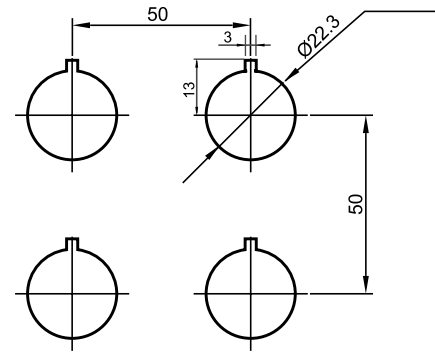
Buzzers

- Selectable Continuous and Intermittent Sound
- LED Illumination
- AC/DC 12~30V rated

MC2-B-D



Ø22 Push Button Mounting Hole Layout & Panel Cutout



Contact Blocks

Model	NO Contact	MC22-UA	NC Contact	MC22-UB
Appearance				
Contact Capacity	110 VAC 10A / 220 VAC 5A			
Approval	CE c RU ^{us}			

LEDs

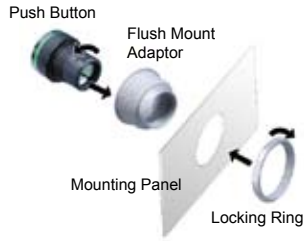
Model	DC/AC LED	MC22-UA	AC LED	MC22-UB
Appearance				
Operating Voltage	DC/AC 12~30V		AC 110~220V	
Current Consumption	4~10mA		4~10mA	
LED Life	50,000 hours			
Approval	CE c RU ^{us}			

Specifications

Control Switches		Push Buttons	Illuminated Push Buttons	Pilot Lamps	Selector Switches	Emergency Stops	Double Push Buttons	Buzzer		
Model		MC2-P	MC2-LP	MC2-PI	MC2-S	MC2-E	MC2-2P	MC2-B-D		
Life	Mechanical	50,000 times (20 times/min)						Rated Voltage	AC/DC 12~30V	
	Electrical	100,000 times (20 times/min)						Current	60mA	
								Sound Level	85dB @ 0.1m 75dB @ 1m	
Protection Degree		IP52					IP50	IP40		
Initial Contact Resistance		20MΩ maximum								
Insulation Resistance		Min.100MΩ						Min.50MΩ		
Operation Frequency		Max. 30 times/min						2~3 times/sec		
Impact	Endurance	Min. 500m/s ²								
	No movement	Min. 100m/s ²								
Vibration		10~55Hz with 3mm pick to pick								
Operating Temperature: -15~40°C Operating Humidity: 45~85%RH Storage Temperature: -40~70°C										

Accessories

Flush Mount Adaptor



MC22-FP	MC22-FL
for Push Buttons MC2-P□-□	for Illuminated Push Buttons MC2-LP□-□□

Water Proof Cap



MW-25P	MW-25L
for Push Buttons MC2-P□-□	for Illuminated Push Buttons MC2-LP□-□□

E-Stop Accessories

Nameplates		Shroud		
MP-25-S	MP-25-L	MPC-KA-LD22	MPC-KA-LD25	MPC-KA-LD30
		Ø22mm	Ø25mm	Ø30mm

Locking Ring Wrench



MC-P100

Switch Boxes

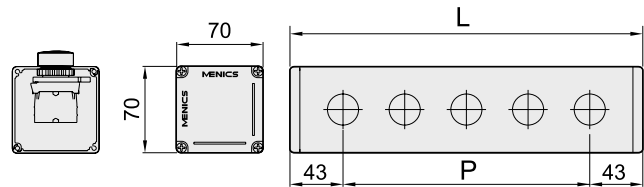
Aluminum Boxes



MB70 - S - 01

NUMBER OF HOLES	
01	1 Hole
02	2 Holes
03	3 Holes
04	4 Holes
05	5 Holes
X	X Holes (optional)

BOX STYLE	
S	Square Side
T	Triangular Side



	L	P
1 Hole	3.4 in (86mm)	—
2 Holes	5.4 in (136mm)	2 in (50mm)
3 Holes	7.3 in (186mm)	3.9 in (100mm)
4 Holes	9.3 in (236mm)	5.9 in (150mm)
5 Holes	11.3 in (286mm)	7.9 in (200mm)

Plastic Boxes

IP 67 / NEMA 4x



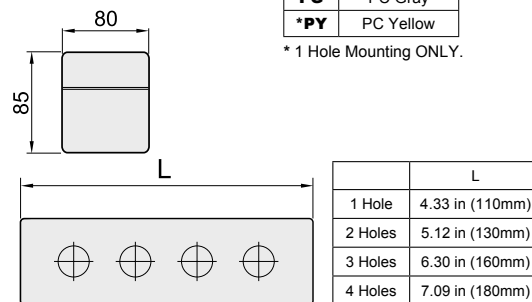
BC - AG S - 01

NUMBER OF HOLES	
01	1 Hole
02	2 Holes
03	3 Holes
04	4 Holes

BOX STYLE	
S	Screw Lock

BOX MATERIAL	
AG	ABS Gray
PG	PC Gray
PY	PC Yellow

* 1 Hole Mounting ONLY.



TOWER & SIGNAL LIGHTS CONTROL SWITCHES

www.AutonicsOnline.com

Autonics USA, Inc.

Toll Free: 1.866.862.2602

1001 Butterfield Rd, Vernon Hills, IL 60061
Phone: 847-680-8160 | Fax: 847-680-8155
Email: sales@autonicsusa.net

Autonics México

Torre Índigo Reforma, 373 piso 11,
Col. Cuahutémoc 06500 México D.F.
Tel: 52-55-5207-0019 | Fax : 52-55-5207-0099
Email : ventas@autonics.com



X-ON Electronics

Largest Supplier of Electrical and Electronic Components

Click to view similar products for [autonics manufacturer](#):

Other Similar products are found below :

[E50S8-1000-3-T-24](#) [BC15-LDT-C](#) [BH4M-PDT](#) [BJ100-DDT-P](#) [BJ10M-TDT-C-P](#) [BJ15M-TDT-C-P](#) [BJ15M-TDT-P](#) [BJ1M-DDT-C-P](#) [BJ3M-PDT-P](#) [BJN100-NDT-P](#) [BL13-TDT-P](#) [BR200-DDTN-C-P](#) [BR200-DDTN-P](#) [BTF30-DDTD-P](#) [BUP-30-P](#) [LP-S070-T9D6-C5T](#) [PRDCML18-7DP](#) [PRFT30-10DO-V](#) [PRFWT12-2DO-IV](#) [PRFWT30-10DO-IV](#) [TC4H-14R](#) [TCN4S-22R](#) [TCN4S-24R-P](#) [TK4S-14SR](#) [BC15-LDT-C-P](#) [BEN5M-MFR](#) [BH1M-DDT](#) [BH20M-TDT](#) [BJ10M-TDT-P](#) [BTS30-LDTL-P](#) [BX700-DFR-T](#) [E40S6-3600-3-T-24](#) [PR08-1.5DP](#) [PR08-2DP](#) [TC4S-12R](#) [TMHA-42AE](#) [TMHE-82RE](#) [ASL-L01SP1-PY](#) [ASL-L04SP0-UY](#) [BFX-D1-N](#) [BFX-D1-P](#) [BJP100-BDT](#) [BJP100-BDT-P](#) [BJR100-DDT-C-P-F](#) [BJR100-DDT-P-F](#) [BJR10M-TDT-C-P-F](#) [BJR15M-TDT-C-P-F](#) [BJR15M-TDT-P-F](#) [BJR1M-DDT-C-P-F](#) [BJR3M-PDT-C-P-F](#)