

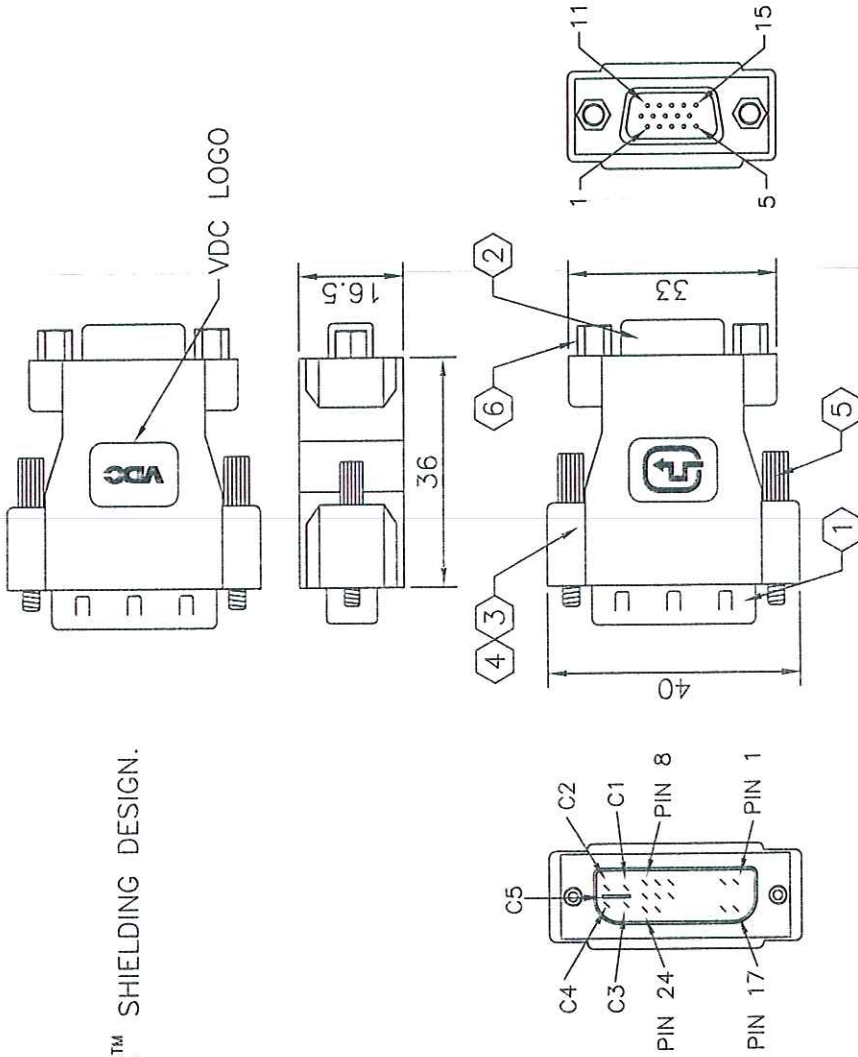
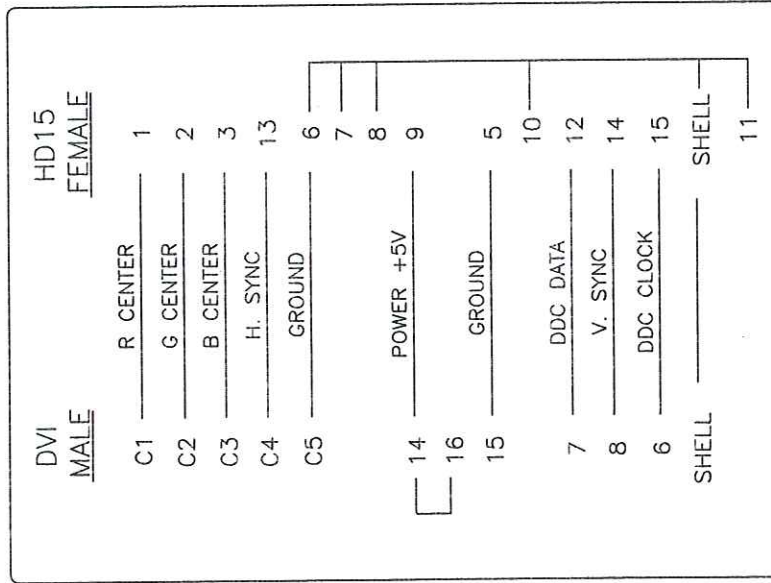
ALL MATERIAL ARE RoHS AND CALIFORNIA PROP.65 COMPLIANT



CUSTOMER'S APPROVAL: _____ DATE: _____
 FIRST ARTICLE SAMPLE REQUIRED: YES, NO.

NOTE:
 1. THIS ITEM CONTAINS PAT. US 6,287,148 B1 RF-BLOK™ SHIELDING DESIGN.
 US D483,373 S

PINOUT CONFIGURATION



UNIT: mm

| ITEM | DESCRIPTION | QTY. | UNIT. |
|------|--|------|-------|
| 1 | DVI MALE CONNECTOR (12+5) | 1 | PCS. |
| 2 | HD15 FEMALE CONNECTOR | 1 | PCS. |
| 3 | RF-BLOK™ | 1 | PCS. |
| 4 | PANTONE BLUE 072U MOLDED PVC HOOD W/VDC LOGO | 1 | PCS. |
| 5 | #4/40 METAL T/S | 2 | PCS. |
| 6 | #4/40 HEXNUT | 2 | PCS. |

| | | | |
|--------------|-----------|------------|------------|
| Part number: | 104911911 | Revision: | A |
| RFQ number: | 97091602 | Drawing #: | 97091602 |
| Drawn by: | STANLEY | Scale: | None |
| Checked by: | | Date: | 09/16/2008 |
| SALES: | KATE | | |

Copyright 09-2008
TOTAL TECHNOLOGIES, LTD.
 9 STUDEBAKER, IRVINE, CA 92618
 1-800-669-4885

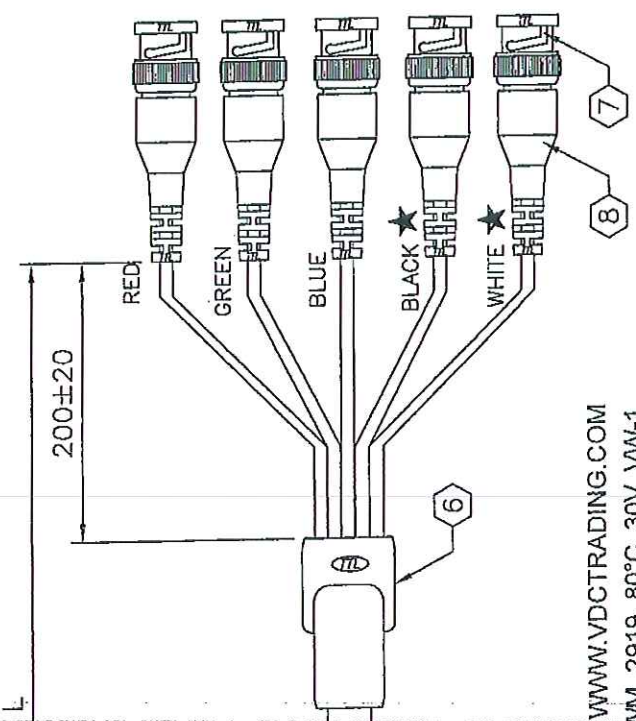
| REV. | DESCRIPTION | DATE | REVISED BY |
|------|--------------|-----------|------------|
| A | CHANGE COLOR | SEP.19.08 | STANLEY |

All information herein is proprietary and the exclusive property of Total Technologies, Ltd. Recipient agrees: 1) Not to disclose any of such information to others 2) Not to reproduce in whole or in part 3) To use such information only as directed by Total Technologies, Ltd. 4) Upon request, to return all copies of this document to Total Technologies, Ltd. Specifications are subject to change without prior notice.

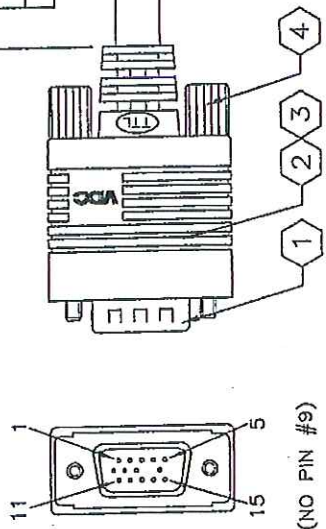
ALL MATERIAL ARE ROHS AND CALIFORNIA PROP.65 COMPLIANT



CUSTOMER'S APPROVAL: _____ DATE: _____
 FIRST ARTICLE SAMPLE REQUIRED: YES, NO.



| P/N | L±(mm) |
|-----------|------------------|
| 104600030 | 300 +30 -30 |
| 104600601 | 1000 +30 -30 |
| 104600602 | 2000 +30 -30 |
| 104600603 | 3000 +100 -30 |
| 104600605 | 5000 +100 -30 |



(NO PIN #9)

WIRE MARKING:
 VDC LONDON WWW.VDCTRADING.COM
 E193793 RJ AWM 2919 80°C 30V VW-1

PINOUT CONFIGURATION

| HD15/M | 5 BNC/M |
|---------------------|---------|
| 1 RED CEN. | 1(C) |
| 2 GREEN CEN. | 2(C) |
| 3 BLUE CEN. | 3(C) |
| 13 BLACK CEN. | 4(C) |
| 14 WHITE CEN. | 5(C) |
| 6 RED SHELL | 1(S) |
| 7 GREEN SHELL | 2(S) |
| 8 BLUE SHELL | 3(S) |
| 4 BLACK/WHITE SHELL | 4(S) |
| 10 | 5(S) |
| 11 | |
| SHELL | |

UNIT: mm

| ITEM | DESCRIPTION | Q'TY | UNIT |
|------|---|------|------|
| 1 | HD15 MALE CONNECTOR (NO PIN #9) | 1 | PCS. |
| 2 | PANTONE BLUE 072U MOLDED PVC HOOD W/VDC LOGO | 1 | PCS. |
| 3 | PAT. US 6,287,148 B1 RF-BLOK™ SHIELDING METAL CAN | 1 | PCS. |
| 4 | PANTONE BLUE 072U #4/40 THUMBSCREW | 2 | PCS. |
| 5 | UL2919 (UL1354 28AWG COAX+AL-FOIL+SPIRAL)x5C +FILLER+COTTON PAPER; | SEE | DWG. |
| 6 | PANTONE BLUE 072U PVC JACKET | | |
| 7 | PANTONE BLUE 072U MOLDED PVC S.R. | 1 | PCS. |
| 8 | BNC MALE CONNECTOR | 5 | PCS. |
| | PANTONE BLUE 072U MOLDED PVC HOOD | 5 | PCS. |

| REV. | DESCRIPTION | DATE | REVISED BY |
|------|--------------------------------|-----------|------------|
| A | REVISE PINOUT CONFIGURATION | JUL.20.07 | STANLEY |
| B | REVISE TOLERANCE | JUL.31.07 | STANLEY |
| C | CHINAGE LENGTH 300mm WITH S.R. | JUL.30.08 | STANLEY |

| Part number: | Revision: | Date: | SALES: |
|--------------|-----------|------------|-------------|
| SEE TABLE | C | 07/05/2007 | JOAN |
| RFQ number: | Drawing#: | Scale: | Checked by: |
| 3812 | 96070502 | None | |
| Drawn by: | | | |
| STANLEY | | | |

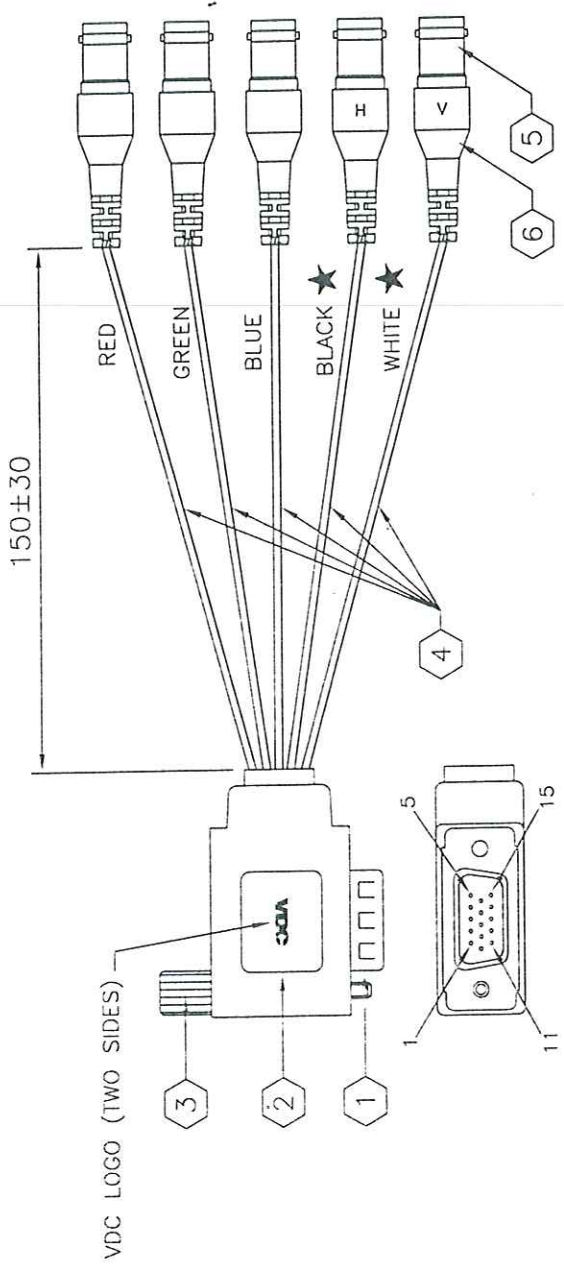
Copyright 07-2007
TOTAL TECHNOLOGIES, LTD.
 2110 South Anne Street, Santa Ana, CA. 92704
 1-800-669-4885

All information herein is proprietary and the exclusive property of Total Technologies, Ltd. Recipient agrees: 1) Not to disclose any of such information to others 2) Not to reproduce in whole or in part 3) to use such information only as directed by Total Technologies, Ltd. 4) Upon request, to return all copies of this document to Total Technologies, Ltd. Specifications are subject to change without prior notice.

ALL MATERIAL ARE ROHS AND CALIFORNIA PROP.65 COMPLIANT



CUSTOMER'S APPROVAL: _____ DATE: _____
 FIRST ARTICLE SAMPLE REQUIRED: YES, NO.



PINOUT CONFIGURATION

| HD15/M | 5 BNC/F |
|--------|-------------------------|
| 1 | RED CEN. 1(C) |
| 2 | GREEN CEN. 2(C) |
| 3 | BLUE CEN. 3(C) |
| 13 | BLACK CEN. 4(C) |
| 14 | WHITE CEN. 5(C) |
| 6 | RED SHELL 1(S) |
| 7 | GREEN SHELL 2(S) |
| 8 | BLUE SHELL 3(S) |
| 4 | BLACK, WHITE SHELL 4(S) |
| 10 | 5(S) |
| 11 | |
| | SHELL |

WIRE MARKING:

(TTL)® E193793 9 AWM 1354 30V 28AWG TOTAL TECHNOLOGIES, LTD.®

UNIT: mm

| ITEM | DESCRIPTION | QTY. | UNIT |
|------|--|----------|------|
| 1 | HD15 MALE CONNECTOR (NO PIN #9) | 1 | PCS. |
| 2 | PANTONE BLUE 072U MOLDED PVC HOOD W/VDC LOGO | 1 | PCS. |
| 3 | PANTONE BLUE 072U #4/40 THUMBSCREW | 1 | PCS. |
| 4 | UL1354 28AWG COAX+AL-FOIL+SPIRAL; COLOR PVC JACKET | SEE DWG. | |
| 5 | BNC FEMALE CONNECTOR | 5 | PCS. |
| 6 | PANTONE BLUE 072U MOLDED PVC HOOD | 5 | PCS. |

| REV. | DESCRIPTION | REVISED DETAILS | REVISION | DATE | REVISED BY |
|------|-------------|-----------------|-------------|------------|------------|
| | | | 104700015 | ORIG. | |
| | | | RFQ number: | 96083001 | |
| | | | Drawn by: | STANLEY | |
| | | | Scale: | None | |
| | | | Checked by: | | |
| | | | Date: | 08/30/2007 | |
| | | | SALES: | JOAN | |

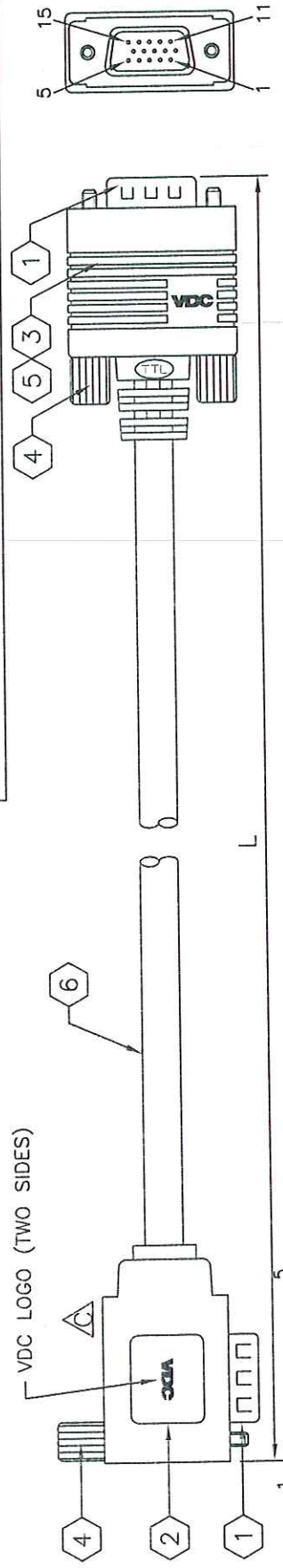
Copyright 08-2007
 TOTAL TECHNOLOGIES, LTD.
 9 Studebaker, Irvine, CA 92618
 1-800-669-4885

Information herein is proprietary and the exclusive property of Total Technologies, Ltd. Recipient agrees: 1) Not to disclose any of such information to others 2) Not to reproduce in whole or part 3) To use such information only as directed by Total Technologies, Ltd. 4) Upon request, to return all copies of this document to Total Technologies, Ltd. Specifications are subject to change without prior notice.

ALL MATERIAL ARE RoHS AND CALIFORNIA PROP.65 COMPLIANT



CUSTOMER'S APPROVAL: _____ DATE: _____
 FIRST ARTICLE SAMPLE REQUIRED: YES, NO.



PINOUT CONFIGURATION

| HD15 (90°C) MALE | HD15 MALE |
|------------------|-------------------------------------|
| 1 | Red Video |
| 2 | Green Video |
| 3 | Blue Video |
| 4 | Ground |
| 5 | Red Ground |
| 6 | Green Ground |
| 7 | Blue Ground |
| 8 | +5 VDC |
| 9 | |
| 10 | |
| 11 | |
| 12 | DDC Serial Data Line |
| 13 | Horizontal Sync (or Composite Sync) |
| 14 | Vertical Sync |
| 15 | DDC Data Clock Line |
| SHELL | DRAIN+BRAID |
| | SHELL |

WIRE MARKING:
 VDC LONDON WWW.VDCTRADING.COM
 E193793 RU AWM 2919 80°C 30V VW-1

| P/N | L±(mm) |
|-----------|----------|
| 104400401 | 1000±50 |
| 104400403 | 3000±100 |
| 104400405 | 5000±150 |

UNIT: mm

| ITEM | DESCRIPTION | QTY. | UNIT |
|------|---|----------|------|
| 1 | HD15 MALE CONNECTOR | 2 | PCS. |
| 2 | PANTONE BLUE 072U MOLDED PVC HOOD W/VDC LOGO (90°) | 1 | PCS. |
| 3 | PANTONE BLUE 072U MOLDED PVC HOOD W/VDC LOGO | 1 | PCS. |
| 4 | PANTONE BLUE 072U #4/40 THUMBSCREW | 3 | PCS. |
| 5 | PAT. NO.:US 6,287,148 B1 RF-BLOK™ SHIELDING METAL CAN | 1 | PCS. |
| 6 | UL2919 (28AWG COAX+AL-FOIL+65%BRAID+INNER JACKET)x3C + (28AWG WIRE)x8C+AL-FOIL+DRAIN+BRAID OVERALL; | SEE DWG. | DWG. |
| | PANTONE BLUE 072U PVC JACKET | | |

| REV. | DESCRIPTION | DATE | REVISED BY |
|------|-------------------|-----------|------------|
| A | REVISE PINOUT | JUN.06.07 | STANLEY |
| B | CHANGE WIRE SPEC. | JUN.07.07 | STANLEY |
| C | REMOVE ONE SCREW | JUL.30.07 | STANLEY |
| D | ADD LENGTH 5M | SEP.15.08 | STANLEY |

| Customer's P/N: | Revision: |
|-------------------|--------------------|
| SEE TABLE | D |
| RFQ number: | Drawing#: 96060104 |
| Drawn by: STANLEY | Scale: None |
| Checked by: | Date: 06/01/2007 |
| | SALES: JOAN |

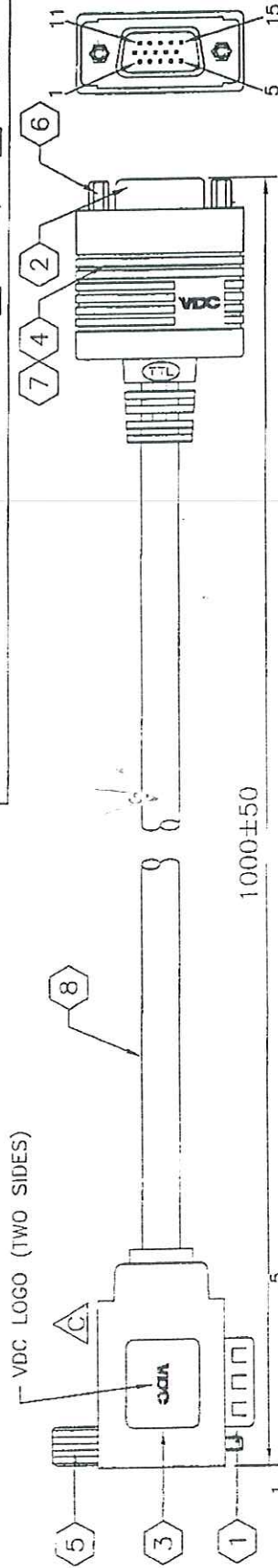
Copyright 06-2007
 TOTAL TECHNOLOGIES, LTD.
 9 Studebaker, Irvine, CA 92618
 1-800-669-4885

Information herein is proprietary and the exclusive property of Total Technologies, Ltd. Recipient agrees: 1) Not to disclose any of such information to others 2) Not to reproduce in whole or in part 3) To use such information only as directed by Total Technologies, Ltd. 4) Upon request, to return all copies of this document to Total Technologies, Ltd. Specifications are subject to change without prior notice.

ALL MATERIAL ARE ROHS AND CALIFORNIA PROP.65 COMPLIANT



CUSTOMER'S APPROVAL: _____ DATE: _____
 FIRST ARTICLE SAMPLE REQUIRED: YES, NO.



PINOUT CONFIGURATION

| HD15 (90°) MALE | HD15 FEMALE |
|-----------------|-------------------------------------|
| 1 | Red Video |
| 2 | Green Video |
| 3 | Blue Video |
| 4 | Ground |
| 5 | Red Ground |
| 6 | Green Ground |
| 7 | Blue Ground |
| 8 | +5 VDC |
| 9 | |
| 10 | |
| 11 | |
| 12 | DDC Serial Data Line |
| 13 | Horizontal Sync (or Composite Sync) |
| 14 | Vertical Sync |
| 15 | DDC Data Clock Line |
| SHELL | DRAIN+BRAID |
| | SHELL |

WIRE MARKING:

VDC LONDON WWW.VDCTRADING.COM
 E193793 RJ AWM 2919 80°C 30V VW-1

UNIT: mm

| ITEM | DESCRIPTION | QTY. | UNIT |
|------|--|----------|------|
| 1 | HD15 MALE CONNECTOR | 1 | PCS. |
| 2 | HD15 FEMALE CONNECTOR | 1 | PCS. |
| 3 | PANTONE BLUE 072U MOLDED PVC HOOD W/VDC LOGO (90°) | 1 | PCS. |
| 4 | PANTONE BLUE 072U MOLDED PVC HOOD W/VDC LOGO | 1 | PCS. |
| 5 | PANTONE BLUE 072U #4/40 THUMBSCREW | 1 | PCS. |
| 6 | #4/40 HEX-NUT | 2 | PCS. |
| 7 | PAT. NO.:US 6,287,148 B1 RF-BLOK™ SHIELDING METAL CAN | 1 | PCS. |
| 8 | UL2919 (28AWG COAXIAL-FOIL+65%BRAID+INNER JACKET)x30 +(28AWG WIRE)x8C+AL-FOIL+DRAIN+BRAID OVERALL; | SEE DWG. | |
| | PANTONE BLUE 072U PVC JACKET | | |

| | | | |
|-----------------|-----------|--------------------------------|------------|
| Customer's P/N: | 104300301 | Revision: | C |
| RFQ number: | 96060105 | Drawing#: | 96060105 |
| Drawn by: | STANLEY | Scale: | None |
| Checked by: | | Date: | 06/01/2007 |
| SALES: JOAN | | Copyright 06-2007 | |
| | | TOTAL TECHNOLOGIES, LTD. | |
| | | 9 Studebaker, Irvine, CA 92618 | |
| | | 1-800-669-4885 | |

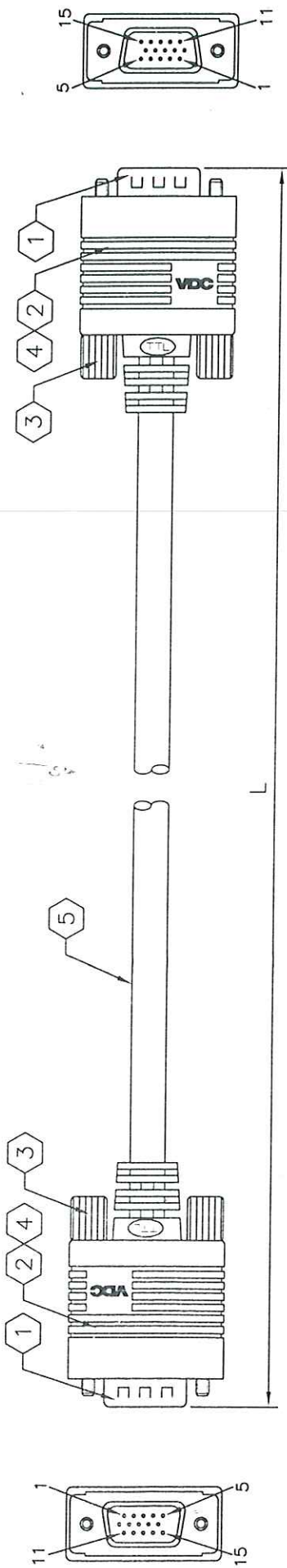
| REV. | DESCRIPTION | DATE | REVISED BY |
|------|-------------------|-----------|------------|
| A | REVISION | JUN.06.07 | STANLEY |
| B | CHANGE WIRE SPEC. | JUN.07.07 | STANLEY |
| C | REMOVE ONE SCREW | JUL.30.07 | STANLEY |

All information herein is proprietary and the exclusive property of Total Technologies, Ltd. Recipient agrees: 1) Not to disclose any of such information to others 2) Not to reproduce in whole or in part 3) To use such information only as directed by Total Technologies, Ltd. 4) Upon request, to return all copies of this document to Total Technologies, Ltd. Specifications are subject to change without prior notice.

ALL MATERIAL ARE RoHS AND CALIFORNIA PROP.65 COMPLIANT



CUSTOMER'S APPROVAL: _____ DATE: _____
 FIRST ARTICLE SAMPLE REQUIRED: YES, NO.



PINOUT CONFIGURATION

| HD15 MALE | HD15 MALE |
|-----------|-------------------------------------|
| 1 | Red Video |
| 2 | Green Video |
| 3 | Blue Video |
| 4 | Ground |
| 5 | Red Ground |
| 6 | Green Ground |
| 7 | Blue Ground |
| 8 | +5 VDC |
| 9 | |
| 10 | |
| 11 | |
| 12 | DDC Serial Data Line |
| 13 | Horizontal Sync (or Composite Sync) |
| 14 | Vertical Sync |
| 15 | DDC Data Clock Line |
| | DRAIN+BRAID |
| | SHELL |

| P/N | L±(mm) |
|-----------|-----------|
| 104233005 | 500±50 |
| 104234202 | 2000±50 |
| 104236203 | 3000±100 |
| 104238206 | 6000±200 |
| 104240210 | 10000±250 |
| 104241215 | 15000±250 |
| 104242220 | 20000±250 |
| 104244230 | 30000±250 |
| 104246250 | 50000±250 |

WIRE MARKING:
 VDC LONDON WWW.VDCTRADING.COM
 E193793 RJ AWM 2919 80°C 30V VW-1

UNIT: mm

| ITEM | DESCRIPTION | QTY. | UNIT |
|------|--|------|------|
| 1 | HD15 MALE CONNECTOR | 2 | PCS. |
| 2 | PANTONE BLUE 072U MOLDED PVC HOOD W/VDC LOGO | 2 | PCS. |
| 3 | PANTONE BLUE 072U #4/40 THUMBSCREW | 4 | PCS. |
| 4 | PAT. NO.:US 6,287,148 B1 RF-BLOK™ SHIELDING METAL CAN | 2 | PCS. |
| 5 | UL2919 (28AWG COAX+AL-FOIL+65%BRAID+INNER JACKET)x30 DWG. + (28AWG WIRE)x8C+AL-FOIL+DRAIN+BRAID OVERALL; | SEE | DWG. |
| | PANTONE BLUE 072U PVC JACKET | | |

| REV. | DESCRIPTION | DATE | REVISED BY | Customer's P/N: | Revision: |
|------|-------------------|-----------|------------|-------------------|--------------------|
| A | REVERSE PINOUT | JUN.06.07 | STANLEY | SEE TABLE | B |
| B | CHANGE WIRE SPEC. | JUN.07.07 | STANLEY | RFQ number: | Drawing#: 96060102 |
| | | | | Drawn by: STANLEY | Scale: None |
| | | | | Checked by: | Date: 06/01/2007 |
| | | | | SALES: JOAN | |

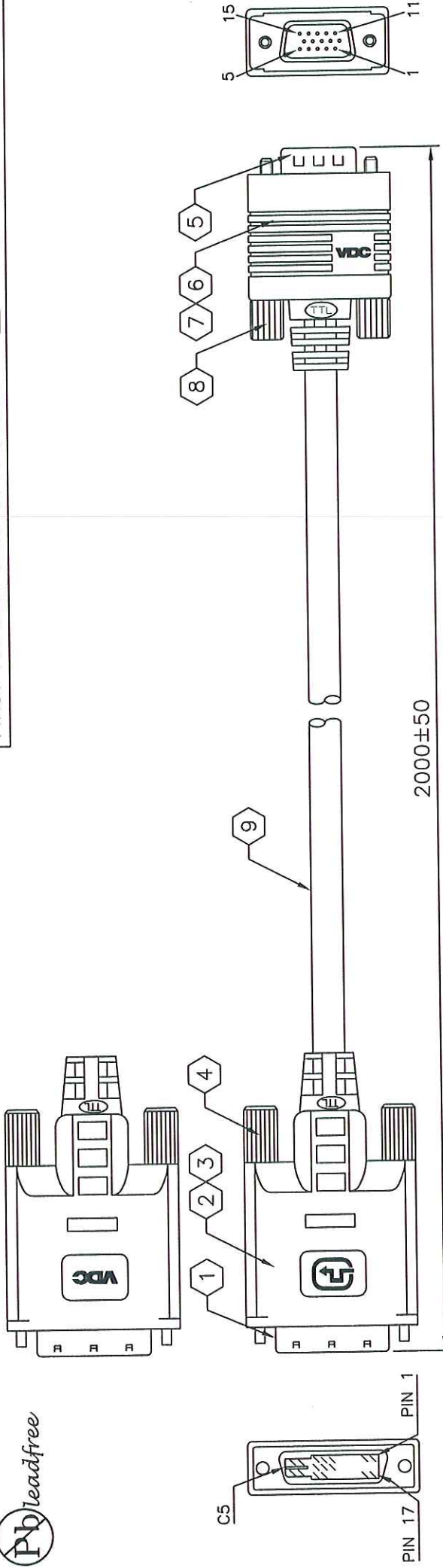
Copyright 06-2007
TOTAL TECHNOLOGIES, LTD.
 9 Studebaker, Irvine, CA 92618
 1-800-869-4885

All information herein is proprietary and the exclusive property of Total Technologies, Ltd. Recipient agrees: 1) Not to disclose any of such information to others 2) Not to reproduce in whole or in part 3) To use such information only as directed by Total Technologies, Ltd. 4) Upon request, to return all copies of this document to Total Technologies, Ltd. Specifications are subject to change without prior notice.

ALL MATERIAL ARE RoHS AND CALIFORNIA PROP.65 COMPLIANT



CUSTOMER'S APPROVAL: _____ DATE: _____
 FIRST ARTICLE SAMPLE REQUIRED: YES, NO.



PINOUT CONFIGURATION

| DVI-A MALE (12+5) | HD15 MALE |
|---|-----------|
| ANALOG RED C1 _____ R _____ 1 | |
| ANALOG GREEN C2 _____ G _____ 2 | |
| ANALOG BLUE C3 _____ B _____ 3 | |
| HORIZONTAL SYNC C4 _____ 13 | |
| ANALOG GROUND C5 _____ R.G.B SHIELD _____ 6,7,8,10,11 | |
| DDC CLOCK 6 _____ 15 | |
| DDC DATA 7 _____ 12 | |
| VERTICAL SYNC 8 _____ 14 | |
| POWER +5V 14,16 _____ 9 | |
| GROUND 15 _____ 5 | |
| SHELL _____ BRAID _____ SHELL | |

WIRE MARKING:
 VDC LONDON WWW.VDCTRADING.COM
 E193793 RJ AWM 2919 80°C 30V VW-1

UNIT: mm

| ITEM | DESCRIPTION | QTY. | UNIT |
|------|---|----------|------|
| 1 | DVI MALE CONNECTOR (12+5) | 1 | PCS. |
| 2 | PANTONE BLUE 072U MOLDED PVC HOOD W/VDC LOGO | 1 | PCS. |
| 3 | PAT. NO.:US 6,287,148 B1 RF-BLOK™ SHIELDING METAL CAN | 1 | PCS. |
| 4 | PANTONE BLUE 072U #4/40 THUMBSCREW | 2 | PCS. |
| 5 | HD15 MALE CONNECTOR | 1 | PCS. |
| 6 | PANTONE BLUE 072U MOLDED PVC HOOD W/VDC LOGO | 1 | PCS. |
| 7 | PAT. NO.:US 6,287,148 B1 RF-BLOK™ SHIELDING METAL CAN | 1 | PCS. |
| 8 | PANTONE BLUE 072U #4/40 THUMBSCREW | 2 | PCS. |
| 9 | UL2919 (28AWG COAX+AL-FOIL+65%BRAID+INNER JACKET)x3C SEE DWG. +(28AWG WIRE)x8C+AL-FOIL+DRAIN+BRAID OVERALL; | SEE DWG. | DWG. |
| | PANTONE BLUE 072U PVC JACKET | | |

| REV. | DESCRIPTION | REVISED BY | DATE | Customer's P/N: | Revision: | ORIG. |
|------|-------------|------------|------|-----------------|-----------|------------|
| | | | | 104911912 | 104911912 | ORIG. |
| | | | | RFQ number: | Drawing#: | 97011701 |
| | | | | Drawn by: | Scale: | None |
| | | | | Checked by: | Date: | 01/17/2008 |
| | | | | | SALES: | JOAN |

Copyright 01-2008
TOTAL TECHNOLOGIES, LTD.
 9 Studebaker, Irvine, CA 92618
 1-800-669-4885

All information herein is proprietary and the exclusive property of Total Technologies, Ltd. Recipient agrees: 1) Not to disclose any of such information to others 2) Not to reproduce in whole or in part 3) To use such information only as directed by Total Technologies, Ltd. 4) Upon request, to return all copies of this document to Total Technologies, Ltd. Specifications are subject to change without prior notice.

X-ON Electronics

Largest Supplier of Electrical and Electronic Components

Click to view similar products for [vdc manufacturer](#):

Other Similar products are found below :

[104911003](#) [104911913](#) [101-003-202](#) [101-066-001](#) [111-548-052](#) [111-544-052](#) [401-026-001](#) [104-084-100](#) [110-102-000](#) [104238206](#) [110-065-000](#) [104911005](#) [104911912](#) [104400401](#) [104910003](#) [110-064-000](#) [110180929](#) [104-082-070](#) [104600030](#) [110-824-050](#) [104-080-035](#)
[104911101](#) [110028919](#)