



**Electronic low profile surface mount reset timer... features 11 time ranges**



**DESCRIPTION**

BRE enclosed construction with front facing dial and knob. The BRE timer has a heavy duty terminal block, with 9 screw terminals that will readily accept 16 gauge wire commonly used in industrial circuit wiring.

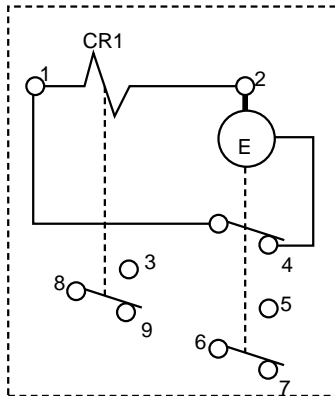
The case of the BR series timer is injection molded Lexan®. This material is recognized by Underwriters Laboratories for use as the sole support of current carrying components. Lexan is self-extinguishing, has a high impact strength, and high dimensional stability.

**OPERATION**

The NEW BRE series reset timers are micro proces-sor driven. They provide an accurate adjustable time delay between the actuation of the control circuit and the operation of the load switches. New standard pilot light is on during timing period.

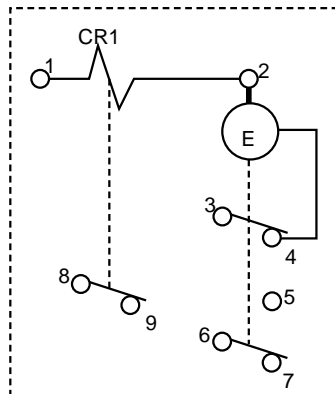
**Standard Start**

Instantaneous contact 8-9 and 8-3 operates directly with energization of 1 & 2, (CRI), offering different sequences of operation depending on the control circuit configuration. Delayed contacts 6-5 close and 6-7 and 1-4 open when timer reaches a timed out condition. Contacts 6-7 and 1-4 close and 6-5 open when timer is reset.



**Reverse Start**

Instantaneous contact 8-9 operates directly with the energization of 1 & 2 (CRI). Delayed contacts 6-5 close and 6-7 and 3-4 open when timer reaches a timed out position. Contacts 6-7 and 3-4 close and 6-5 open when timer is reset.



**SPECIFICATIONS**

Time Ranges:

Sym.	Maximum Setting	Minimum Setting	Dial Mark Divisions
1	5 Sec.	.05 Sec.	1/4 Sec.
3	15 Sec.	.15 Sec.	1 Sec.
4	30 Sec.	.3 Sec.	2 Sec.
5	60 Sec.	.6 Sec.	2 Sec.
6	150 Sec.	1.5 Sec.	5 Sec.
7	5 Min.	3 Sec.	15 Sec.
8	10 Min.	6 Sec.	30 Sec.
9	30 Min.	18 Sec.	2 Min.
10	60 Min.	.6 Min.	2 Min.
11	5 Hr.	3 Min.	15 Min.
12	10 Hr.	6 Min.	30 Min.

**Repeatability:** Typical ±1/4% of full scale

**Reset Time:** 1 ms

**Voltage/Frequency:** 120V (+10, -15%), 50/60 Hz  
240V (+10, -15%), 50/60 Hz

**Power Consumption:** 1.5 W

**Output Rating:** 10 amp, 1/4 HP, 120/240 VAC  
1/2 amp, 125 VDC  
1/4 amp, 240 VDC

**Activation Time:** 150 ms

**Dial Setting Accuracy:** 3% of full scale

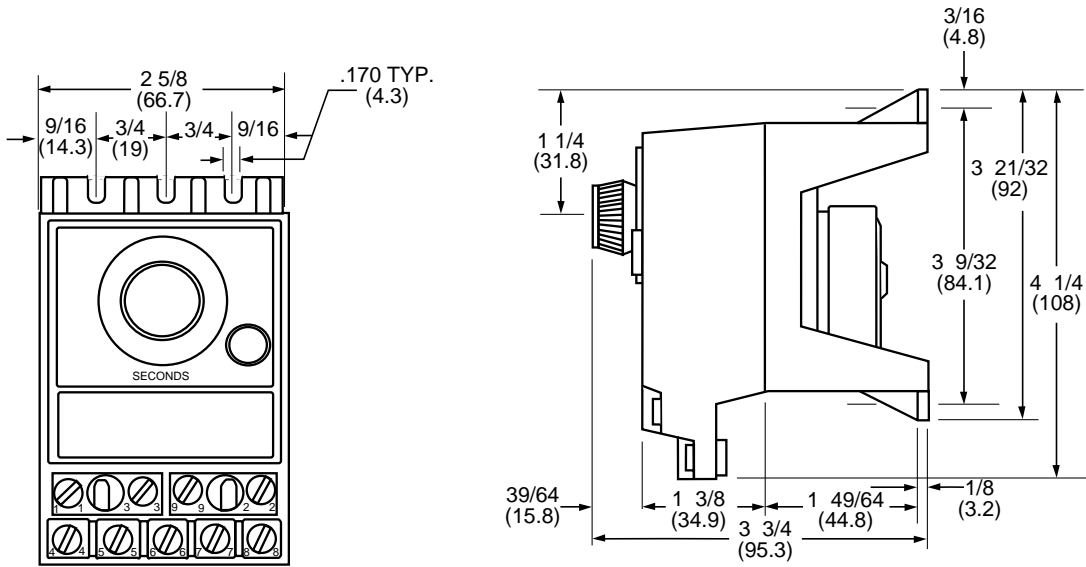
**Minimum Setting:** 2% of full scale

**Operating Temperature:** -10° to 140°F (-23° to +60°C)

**Laboratory Testing:** UL Recognition E61735; FM Approval 21038

# DIMENSIONS

Inches (mm)



# ORDERING INFORMATION

**BR**    **E**    **5**    **A6**    **01**

Sym.	Description
E	Surface mounted with dial knob and 9 point screw type terminal block

### FEATURES

Sym.	Description
Blank	Standard Timer
01	Reverse Start

### TIME RANGE

Sym.	Description	Sym.	Description
1	5 Sec.*	8	10 Min.
3	15 Sec.	9	30 Min.
4	30 Sec.	10	60 Min.
5	60 Sec.	11	5 Hr.
6	150 Sec.	12	10 Hr.
7	5 Min.		

### VOLTAGE & FREQUENCY

Sym.	Description
A6	120V, 50/60 Hz
B6	240V, 50/60 Hz

\*Not available in B6 version

## X-ON Electronics

Largest Supplier of Electrical and Electronic Components

*Click to view similar products for Eagle Signal manufacturer:*

Other Similar products are found below :

[HP518B6](#) [B856-511](#) [0779555-216](#) [0791086-210](#) [0797586-220](#) [19105B6](#) [19107A6](#) [AB47A6](#) [B506-7051](#) [B866-500](#) [BRE10A601](#) [BRE10B6](#)  
[BRE7A601](#) [BRE7B6](#) [BRE8A601](#) [BRE9B6](#) [CG911A3](#) [CG915A3](#) [CG927A3](#) [CX312A6](#) [CX412A6](#) [HG100A6](#) [HG103A6](#) [HG104A6](#)  
[HG109A6](#) [HG109A605](#) [HK400A6](#) [HK410B6](#) [HP50133](#) [HP510A601](#) [HP514A601](#) [HP517A6](#) [HP517A601](#) [HP518A6](#) [HP518A622](#) [HP53B6](#)  
[HP54A6](#) [HP54B6](#) [HP54B622](#) [HP55A607](#) [HP55B6](#) [HP56A622](#) [HP56B6](#) [HP58A6](#) [HZ170A601](#) [HZ17150](#) [HZ172B6](#) [MTJR2S00](#) [PM41S00](#)  
[TM1A60501](#)