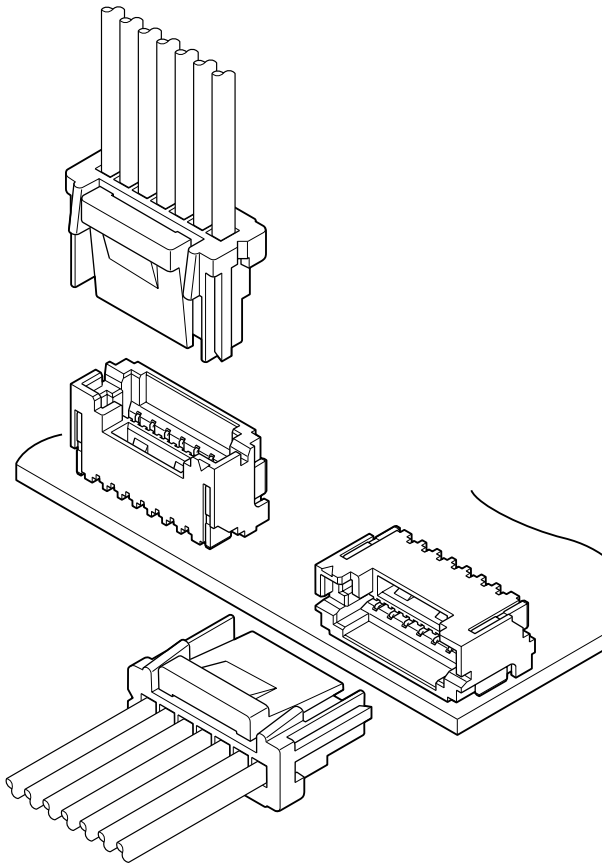


# ZE CONNECTOR

1.5mm pitch/Disconnectable Crimp style connectors



**1.5mm pitch secure lock type connector. Fork-shaped header contact provides the good mating feeling and secure mating operation.**

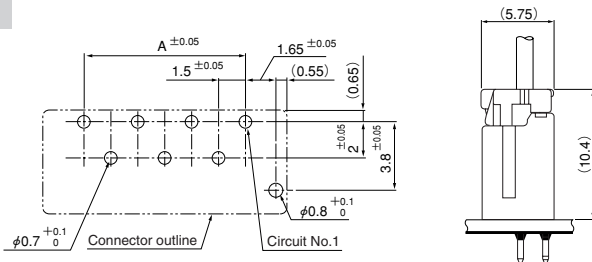
- Secure locking structure
- Contact locking structure

## Specifications

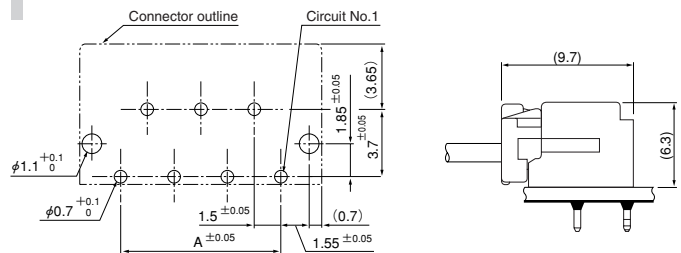
- Current rating: 2A AC, DC (AWG #24)
  - Voltage rating: 100V AC, DC
  - Temperature range: -25°C to +85°C  
(including temperature rise in applying electrical current)
  - Contact resistance: Initial value/20m Ω max.  
After environmental testing/40m Ω max.
  - Insulation resistance: 500M Ω min.
  - Withstanding voltage: 500V AC/minute
  - Applicable wire: Conductor size/AWG #28 to #24  
Insulation O.D./0.8 to 1.2mm
- \* RoHS compliant products are published.  
\* Refer to "General Instruction and Notice when using Terminals and Connectors" at the end of this catalog.  
\* Contact JST for details.

## PC board layout (viewed from component side) and Assembly layout

### Top entry type



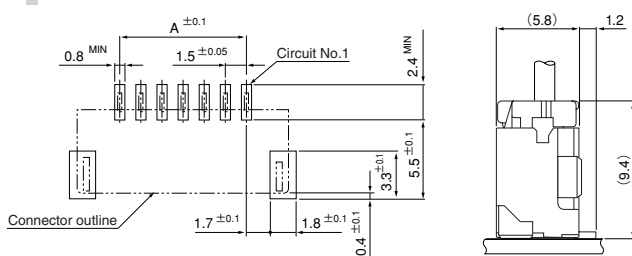
### Side entry type



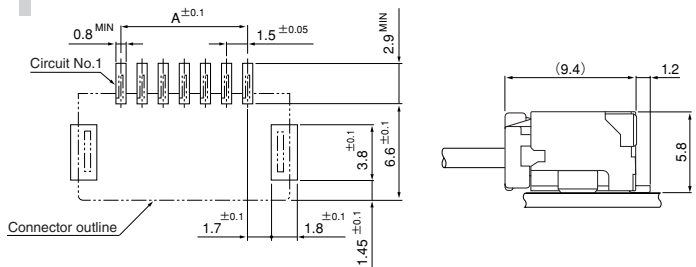
Note: 1. Tolerances are non-cumulative:  $\pm 0.05\text{mm}$  for all centers.  
2. Hole dimensions differ according to the kind of PC board and piercing method.  
The dimensions above should serve as a guideline. Contact JST for details.

### <SMT type>

#### Top entry type



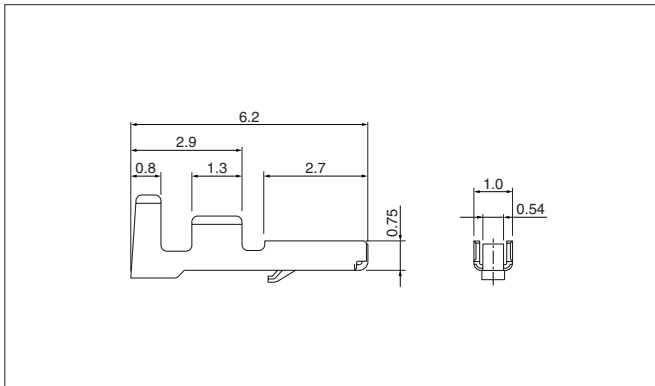
#### Side entry type



Note: 1. Tolerances are non-cumulative:  $\pm 0.1\text{mm}$  for all centers.  
2. The dimensions above should serve as a guideline. Contact JST for details.

# ZE CONNECTOR

## Contact



Model No.	Applicable wire		Insulation O.D. (mm)	Q'ty/reel
	mm <sup>2</sup>	AWG#		
<b>SZE-002T-P0.3</b>	0.13~0.21	26~24	1.0~1.2	16,000
<b>SZE-003T-P0.3</b>	0.08~0.13	28~26	0.8~1.0	16,000

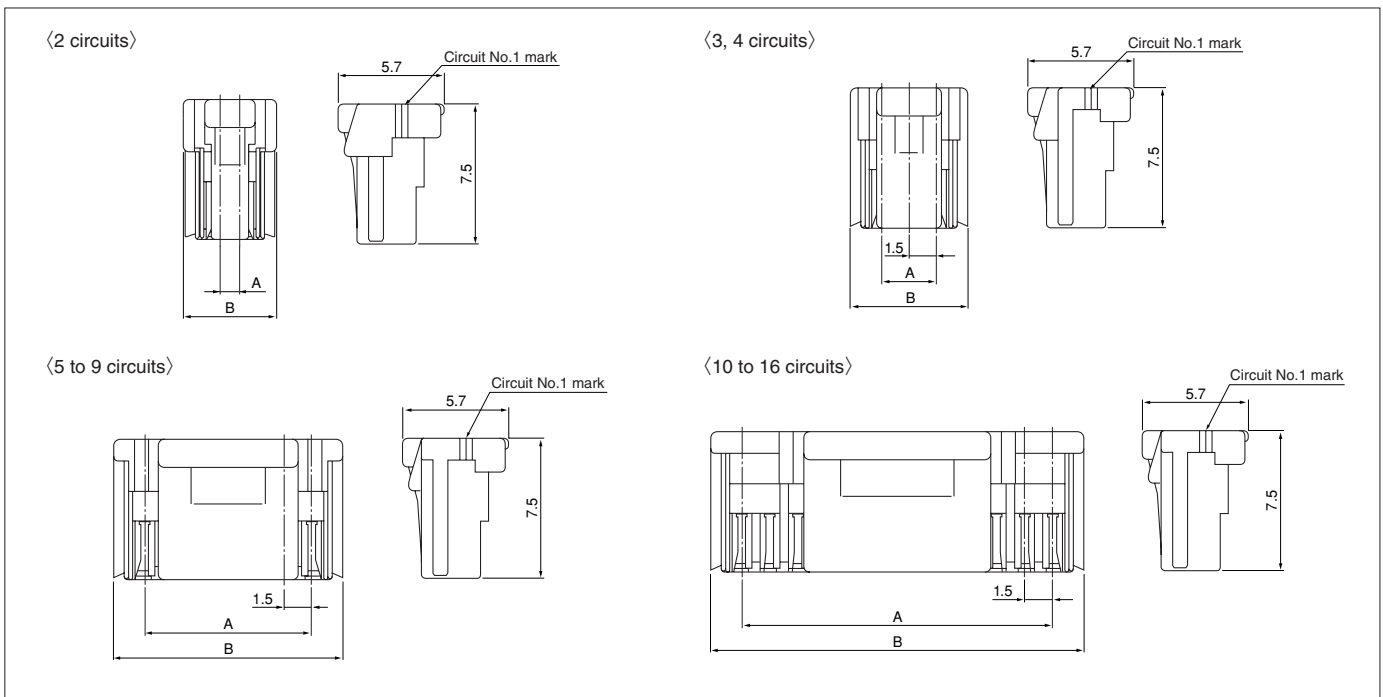
### Material and Finish

Copper alloy, tin-plated (reflow treatment)

### RoHS compliance

Contact	Crimping machine	Applicator		
		Crimp applicator	Dies	Crimp applicator with dies
<b>SZE-002T-P0.3</b>	AP-K2N	MKS-L	MK/SZE-002-03	APLMK SZE002-03
		—	—	—
<b>SZE-003T-P0.3</b>	AP-K2N	MKS-L	MK/SZE-003-03	APLMK SZE003-03
		—	—	—

## Housing



Circuits	Model No.	Dimensions (mm)		Q'ty/bag
		A	B	
2	<b>ZER-02V-S</b>	1.5	5.0	6,000
3	<b>ZER-03V-S</b>	3.0	6.3	6,000
4	<b>ZER-04V-S</b>	4.5	7.8	5,000
5	<b>ZER-05V-S</b>	6.0	9.3	3,000
6	<b>ZER-06V-S</b>	7.5	10.8	3,000
7	<b>ZER-07V-S</b>	9.0	12.3	2,000
8	<b>ZER-08V-S</b>	10.5	13.8	2,000
9	<b>ZER-09V-S</b>	12.0	15.3	2,000
10	<b>ZER-10V-S</b>	13.5	16.8	2,000
11	<b>ZER-11V-S</b>	15.0	18.3	2,000
12	<b>ZER-12V-S</b>	16.5	19.8	2,000
13	<b>ZER-13V-S</b>	18.0	21.3	2,000
14	<b>ZER-14V-S</b>	19.5	22.8	2,000
15	<b>ZER-15V-S</b>	21.0	24.3	1,500
16	<b>ZER-16V-S</b>	22.5	25.8	1,500

### Material

PBT, UL94V-0, natural

<For reference> As the color identification, the following alphabet shall be put in the underlined part. For availability, delivery and minimum order quantity, contact JST.

ex. **ZER-02V-S**

S...natural Z...ivory E...blue K...black O...orange R...red  
 Y...yellow M...green N...brown L...lemon yellow  
 TR...tomato red MG...moss green DP...dark purple  
 DH...dark gray DO...dark orange LE...light blue PK...pink  
 FY...vivid yellow DRK...dark pink

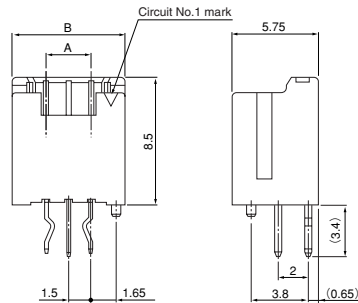
### RoHS compliance

# ZE CONNECTOR

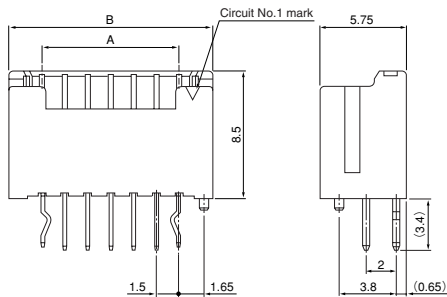
## Through-hole type shrouded header

### Top entry type

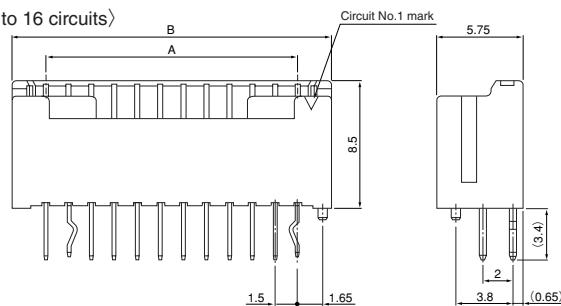
<2 to 5 circuits>



<6 to 9 circuits>

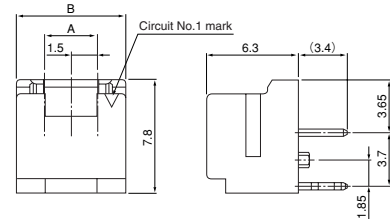


<10 to 16 circuits>

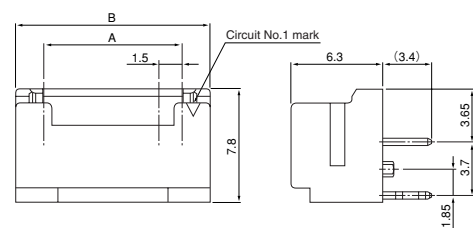


### Side entry type

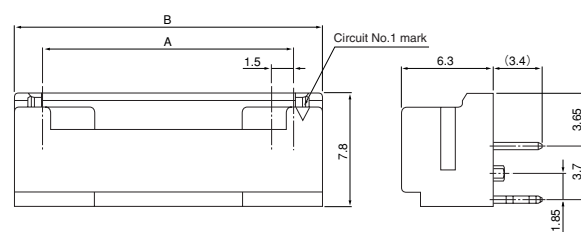
<2 to 5 circuits>



<6 to 9 circuits>



<10 to 16 circuits>



### Top entry type

Circuits	Model No.		Dimensions (mm)		Q'ty/ box
	Without boss	With boss	A	B	
2	—	<b>B02B-ZESK-1D</b>	1.5	6.0	2,496
3	<b>B03B-ZESK-D</b>	<b>B03B-ZESK-1D</b>	3.0	7.5	1,984
4	<b>B04B-ZESK-D</b>	<b>B04B-ZESK-1D</b>	4.5	9.0	1,664
5	<b>B05B-ZESK-D</b>	<b>B05B-ZESK-1D</b>	6.0	10.5	1,408
6	<b>B06B-ZESK-D</b>	<b>B06B-ZESK-1D</b>	7.5	12.0	1,216
7	<b>B07B-ZESK-D</b>	<b>B07B-ZESK-1D</b>	9.0	13.5	1,088
8	<b>B08B-ZESK-D</b>	<b>B08B-ZESK-1D</b>	10.5	15.0	960
9	<b>B09B-ZESK-D</b>	<b>B09B-ZESK-1D</b>	12.0	16.5	896
10	<b>B10B-ZESK-D</b>	<b>B10B-ZESK-1D</b>	13.5	18.0	832
11	<b>B11B-ZESK-D</b>	<b>B11B-ZESK-1D</b>	15.0	19.5	768
12	<b>B12B-ZESK-D</b>	<b>B12B-ZESK-1D</b>	16.5	21.0	704
13	<b>B13B-ZESK-D</b>	<b>B13B-ZESK-1D</b>	18.0	22.5	640
14	<b>B14B-ZESK-D</b>	<b>B14B-ZESK-1D</b>	19.5	24.0	576
15	<b>B15B-ZESK-D</b>	<b>B15B-ZESK-1D</b>	21.0	25.5	576
16	<b>B16B-ZESK-D</b>	<b>B16B-ZESK-1D</b>	22.5	27.0	512

#### Material and Finish

Contact: Copper alloy, copper-undercoated, tin-plated (reflow treatment)  
Wafer: Glass-filled PA 66, UL94V-0, natural

### Side entry type

Circuits	Model No.	Dimensions (mm)		Q'ty/ box
		A	B	
2	<b>S02B-ZESK-2D</b>	1.5	6.0	1,872
3	<b>S03B-ZESK-2D</b>	3.0	7.5	1,488
4	<b>S04B-ZESK-2D</b>	4.5	9.0	1,248
5	<b>S05B-ZESK-2D</b>	6.0	10.5	1,056
6	<b>S06B-ZESK-2D</b>	7.5	12.0	912
7	<b>S07B-ZESK-2D</b>	9.0	13.5	816
8	<b>S08B-ZESK-2D</b>	10.5	15.0	720
9	<b>S09B-ZESK-2D</b>	12.0	16.5	672
10	<b>S10B-ZESK-2D</b>	13.5	18.0	624
11	<b>S11B-ZESK-2D</b>	15.0	19.5	576
12	<b>S12B-ZESK-2D</b>	16.5	21.0	528
13	<b>S13B-ZESK-2D</b>	18.0	22.5	480
14	<b>S14B-ZESK-2D</b>	19.5	24.0	432
15	<b>S15B-ZESK-2D</b>	21.0	25.5	432
16	<b>S16B-ZESK-2D</b>	22.5	27.0	384

#### Material and Finish

Contact: Copper alloy, copper-undercoated, tin-plated (reflow treatment)  
Wafer: Glass-filled PA 66, UL94V-0, natural

**RoHS compliance** This product displays (LF)(SN) on a label.  
Note: Top entry type 2 circuits is only header with boss.

**RoHS compliance** This product displays (LF)(SN) on a label.

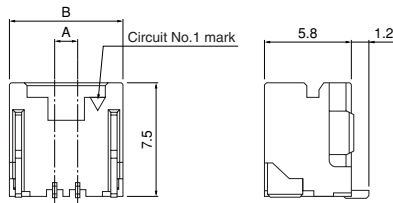
<For reference> As the color identification, the following alphabet shall be put in the underlined part.  
For availability, delivery and minimum order quantity, contact JST.

ex. **B02B-ZESK-1D, S02B-ZESK-2D** S...natural Z...ivory E...blue K...black O...orange R...red Y...yellow M...green N...brown L...lemon yellow  
TR...tomato red MG...moss green DP...dark purple DH...dark gray DO...dark orange LE...light blue PK...pink FY...vivid yellow DRK...dark pink

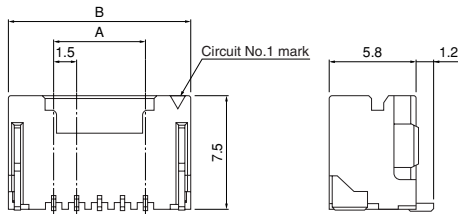
## SMT type shrouded header

### Top entry type

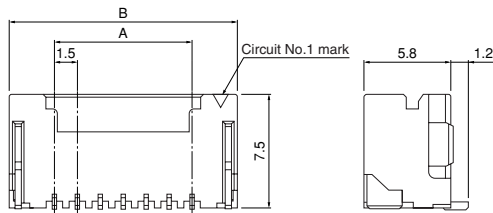
<2 circuits>



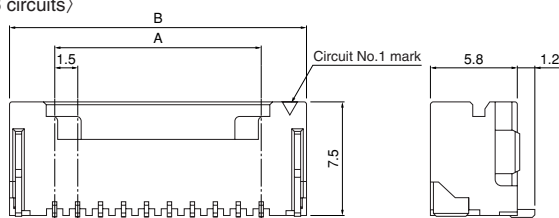
<3 to 5 circuits>



<6 to 9 circuits>

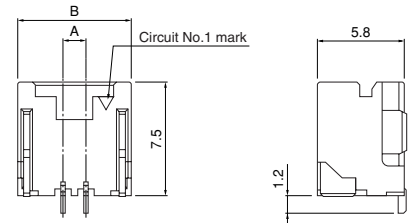


<10 to 16 circuits>

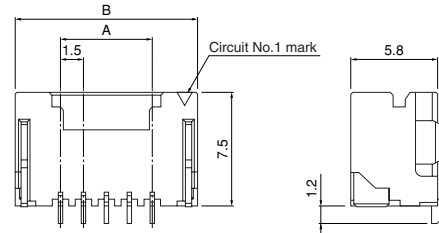


### Side entry type

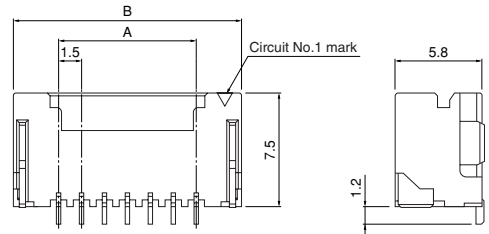
<2 circuits>



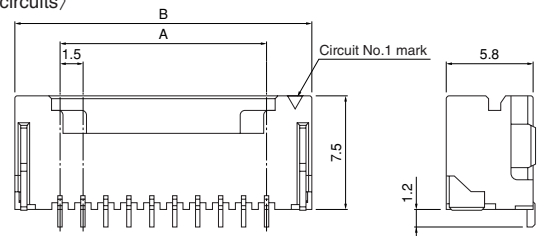
<3 to 5 circuits>



<6 to 9 circuits>



<10 to 16 circuits>



### Top entry type

Circuits	Model No.	Dimensions (mm)		Q'ty/ reel
		A	B	
2	BM02B-ZESS-TBT	1.5	7.5	800
3	BM03B-ZESS-TBT	3.0	9.0	800
4	BM04B-ZESS-TBT	4.5	10.5	800
5	BM05B-ZESS-TBT	6.0	12.0	800
6	BM06B-ZESS-TBT	7.5	13.5	800
7	BM07B-ZESS-TBT	9.0	15.0	800
8	BM08B-ZESS-TBT	10.5	16.5	800
9	BM09B-ZESS-TBT	12.0	18.0	800
10	BM10B-ZESS-TBT	13.5	19.5	800
11	BM11B-ZESS-TBT	15.0	21.0	800
12	BM12B-ZESS-TBT	16.5	22.5	800
13	BM13B-ZESS-TBT	18.0	24.0	800
14	BM14B-ZESS-TBT	19.5	25.5	800
15	BM15B-ZESS-TBT	21.0	27.0	800
16	BM16B-ZESS-TBT	22.5	28.5	800

#### Material and Finish

Contact: Copper alloy, copper-undercoated, tin-plated (reflow treatment)  
Wafer: Polyamide, UL94V-0, natural  
Reinforcement: Copper alloy, copper-undercoated, tin-plated (reflow treatment)

**RoHS compliance** This product displays (LF)(SN) on a label.  
Note: This products listed above are supplied on embossed-tape/with suction tape.

<For reference> As the color identification, the following alphabet shall be put in the underlined part.  
For availability, delivery and minimum order quantity, contact JST.

ex. **BM02B-ZESS-TBT, SM02B-ZESS-TB** S...natural Z...ivory E...blue LE...light blue K...black TR...tomato red L...lemon yellow  
DH...dark gray DP...dark purple DO...dark orange MG...moss green DRK...dark pink

### Side entry type

Circuits	Model No.	Dimensions (mm)		Q'ty/ reel
		A	B	
2	SM02B-ZESS-TB	1.5	7.5	1,000
3	SM03B-ZESS-TB	3.0	9.0	1,000
4	SM04B-ZESS-TB	4.5	10.5	1,000
5	SM05B-ZESS-TB	6.0	12.0	1,000
6	SM06B-ZESS-TB	7.5	13.5	1,000
7	SM07B-ZESS-TB	9.0	15.0	1,000
8	SM08B-ZESS-TB	10.5	16.5	1,000
9	SM09B-ZESS-TB	12.0	18.0	1,000
10	SM10B-ZESS-TB	13.5	19.5	1,000
11	SM11B-ZESS-TB	15.0	21.0	1,000
12	SM12B-ZESS-TB	16.5	22.5	1,000
13	SM13B-ZESS-TB	18.0	24.0	1,000
14	SM14B-ZESS-TB	19.5	25.5	1,000
15	SM15B-ZESS-TB	21.0	27.0	1,000
16	SM16B-ZESS-TB	22.5	28.5	1,000

#### Material and Finish

Contact: Copper alloy, copper-undercoated, tin-plated (reflow treatment)  
Wafer: Polyamide, UL94V-0, natural  
Reinforcement: Copper alloy, copper-undercoated, tin-plated (reflow treatment)

**RoHS compliance** This product displays (LF)(SN) on a label.  
Note: This products listed above are supplied on embossed-tape/without suction tape.

## X-ON Electronics

Largest Supplier of Electrical and Electronic Components

*Click to view similar products for [FFC & FPC Connectors](#) category:*

*Click to view products by [JST manufacturer](#):*

Other Similar products are found below :

[HFW11R-1STE1H1LF](#) [FH29B-100S-0.2SHW\(99\)](#) [FA5S008HP1](#) [FH29B-120S-0.2SHW\(99\)](#) [FH29B-80S-0.2SHW\(99\)](#) [FHS-16](#) [FPH-2022G](#)  
[52610-1075](#) [52610-1275](#) [52610-1934](#) [XF3M\(1\)-1415-1B-R100](#) [501864-3091-TR225](#) [0525594033](#) [086210010340800](#) [086222026001800](#)  
[52271-2869-CUT-TAPE](#) [62674-201121DLF](#) [62684-36210E9ALF](#) [52610-1675](#) [52746-1671-TR250](#) [10051922-2810EHLF](#) [6-520415-9](#)  
[BD021-09A-A1-0350-0200-0550-LD](#) [SFV6R-1STE9HLF](#) [XF3M-2915-1B-R100](#) [1658549-1](#) [62674-221121ALF](#) [46214008010800](#)  
[046298003000883](#) [151660622](#) [842-816-2630-035](#) [AYF530665TA](#) [AYF351525](#) [046296011930846+](#) [AYF352325A](#) [046254020000800+](#)  
[FH19C-13S-0.5SH\(99\)](#) [FH39J-51S-0.3SHW\(99\)](#) [AYF355125A](#) [AYF530365TA](#) [FH29B-44S-0.2SHW\(99\)](#) [SFW5R-2STAE9LF](#) [AYF351125A](#)  
[AYF350725A](#) [62684-502100AHLF](#) [FH39-61S-0.3SHW\(99\)](#) [AYF414035A](#) [10064555-172520HLF](#) [AYF212335A](#) [504754-2500](#)