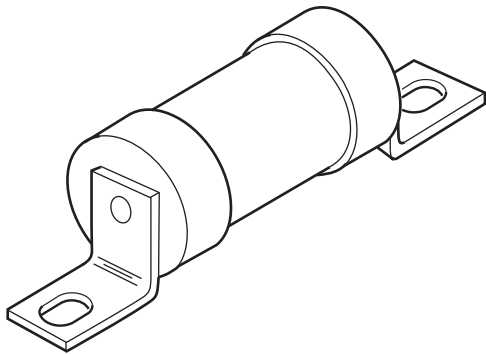


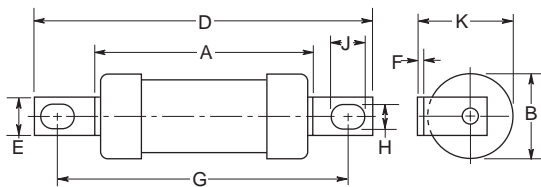
Industrial HRC Fuse

13.8 x 85mm, BS88, IEC 269-1
Offset Bolted Tags

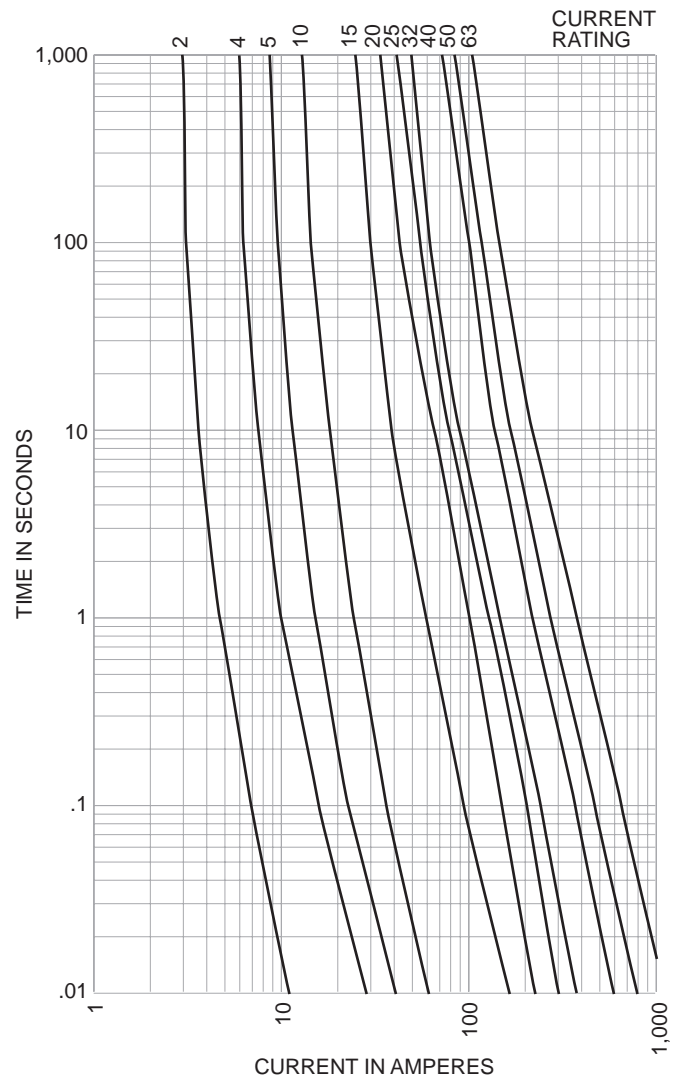


CATALOG SYMBOL: AAO
INDUSTRIAL HRC FUSE
OFFSET BOLTED TAGS
PACKAGE QUANTITY: 20
80kA INTERRUPTING RATING
MOUNTS IN CAMASTER SERIES OF HOLDERS

Dimensional Data:



Time-Current Characteristic Curve (Full Size Curves Available)



Electrical Characteristics

Catalog Number	Ampere Rating	I ² T (Amp ² Seconds)			Nom Watts Loss	Rated Voltage	Dimensions (Inches/mm)																	
		Pre-Arcing	Total At 415V	Total At 550V			A	B	D	E	F	G	H	J	K									
AAO2	2	1.4	4.7	5	0.9	550AC	35.0	13.7	3.35 85.0	0.34 8.7	0.05 1.2	2.87 73.0	0.22 5.5	8.0	14.5									
AAO4	4	8	26	30	1.4																			
AAO6	6	28	100	115	1.8																			
AAO10	10	125	400	500	2.1																			
AAO16	16	120	470	750	1.8																			
AAO20	20	260	1100	1700	1.8																			
AAO25	25	570	2300	2500	2																			
AAO32	32	710	3000	5000	2.9																			
AAO32M40	32M40	1400	3600	5000	4.7											54.5	21.0	85.0	0.34 8.7	0.05 1.22	73.5	0.22 5.5	8.0	22.3
AAO32M50	32M50	3000	8500	11,000	4.9																			
AAO32M63	32M63	7000	18,000	24,800	5.6																			

The only controlled copy of this BIF document is the electronic read-only version located on the Bussmann Network Drive. All other copies of this BIF document are by definition uncontrolled. This bulletin is intended to clearly present comprehensive product data and provide technical information that will help the end user with design applications. Bussmann reserves the right, without notice, to change design or construction of any products and to discontinue or limit distribution of any products. Bussmann also reserves the right to change or update, without notice, any technical information contained in this bulletin. Once a product has been selected, it should be tested by the user in all possible applications.

X-ON Electronics

Largest Supplier of Electrical and Electronic Components

Click to view similar products for [Specialty Fuses](#) category:

Click to view products by [Eaton](#) manufacturer:

Other Similar products are found below :

[63NZ02GL](#) [714125](#) [722134](#) [80NH00GR-6](#) [FWH-200A](#) [FWP-32A14F](#) [FWP-50](#) [HBM-25](#) [12LCT](#) [12TDLSJ63](#) [REN-3](#) [15.5CAVH2E](#) [ECF-2](#)
[ECF-4](#) [ECF-6](#) [170M0213](#) [170M1314](#) [170M1369-D](#) [170M3809D](#) [BK/F02A-2AS](#) [BK/F02B-1A](#) [N-2-1/2](#) [N-3-2/10](#) [NITD2](#) [20D16](#) [20D16SC](#)
[20D27FB](#) [KAA-3](#) [KAB-2](#) [KAB-30](#) [KAJ-60](#) [KAW-3](#) [2D16](#) [LKN-125B](#) [16D27SB](#) [170M1564D](#) [170M2616](#) [170M2668](#) [170M4161](#)
[170M4241](#) [170M4699](#) [ESD63](#) [ABS-25](#) [ABS-30](#) [ABS-8](#) [ACF-15](#) [ACF-30](#) [ACO-30](#) [SSD10](#) [200NH1M](#)