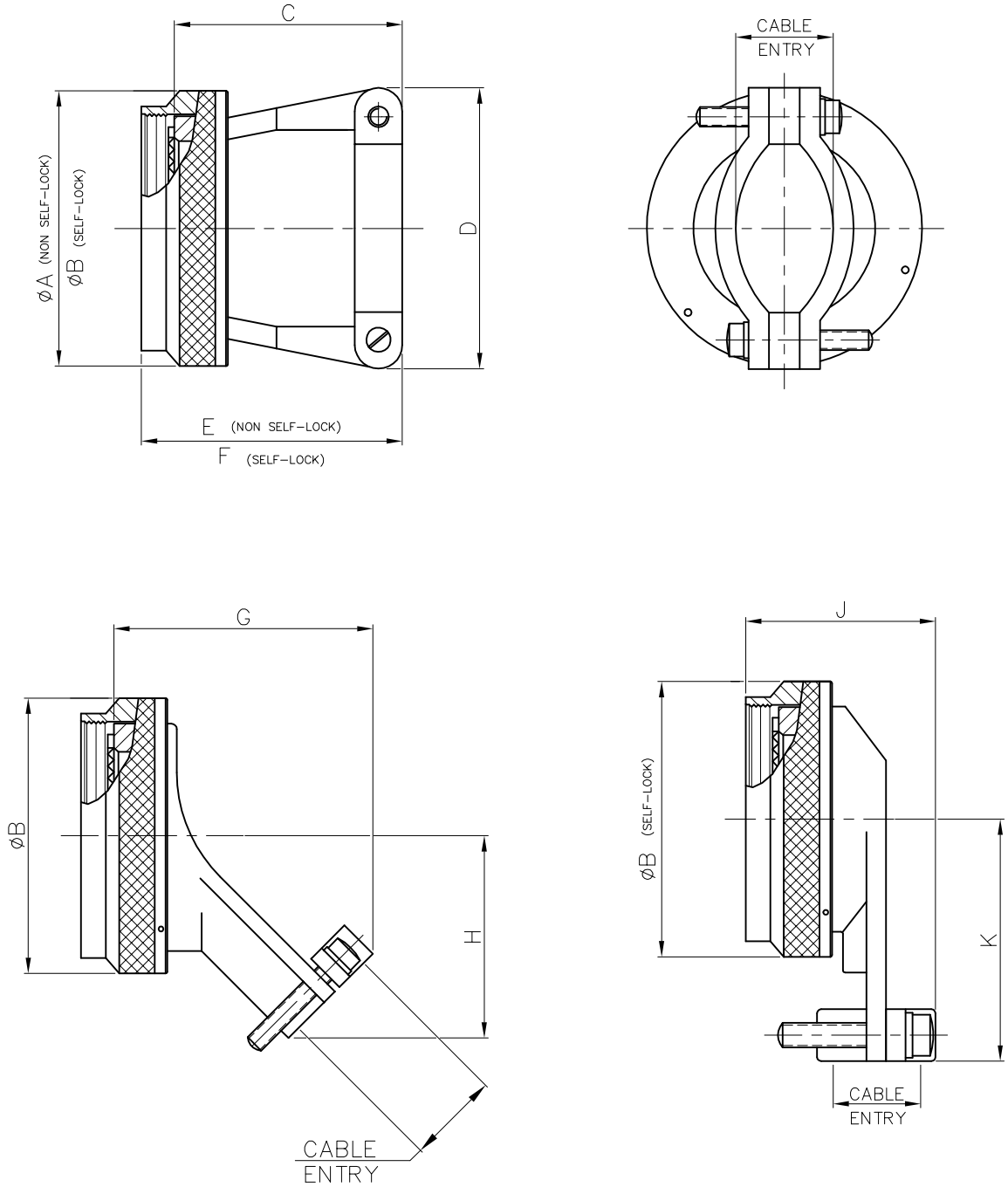


Issue No.	Eng. Ref. No.	REVISIONS	Date	App. By
1	--	ORIGINAL	11/04/06	paramesh
2				

**STRAIN RELIEF BACKSHELL :-**

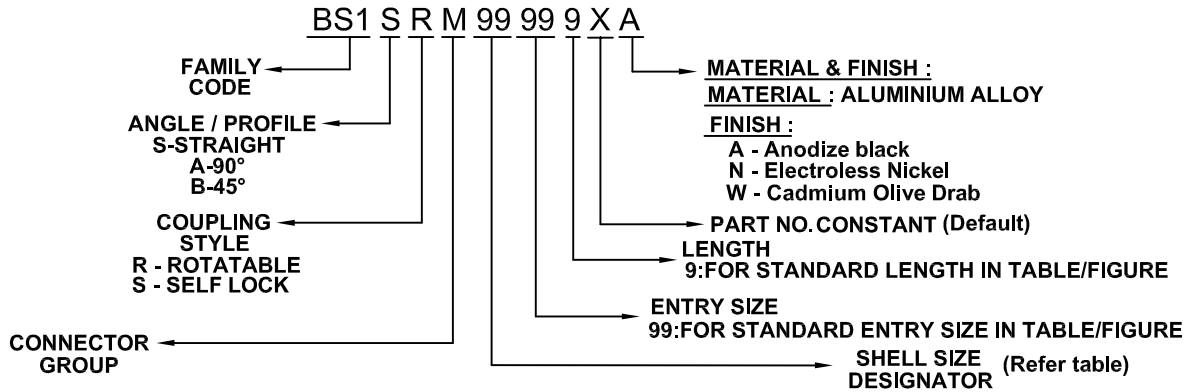


<b>Amphenol</b> <b>AIPL</b>		TITLE		<b>STRAIN RELIEF BACKSHELL</b>			
		Dwg. No.					
Name		Date		Size		All Dimensions are in	
Drawn by		09/04/06		A4		MM/INCHES	
Checked by		10/04/06		Doc. No.: QF-DEV-76		STANDARD	
App. by		11/04/06		REV. NO. : 02			
				Sheet		1 OF 3	

**PSTDBS175**

Issue No.	Eng. Ref. No.	REVISIONS	Date	App. By
1	--	ORIGINAL	11/04/06	paramesh
2				

### ☞ PART NUMBERING SYSTEM :-



M:EN3372,BS9522 F0012/PAT 615,JN1003,LN29729,NFS93422,HE306,PAN6433-2,VG96912  
N: BS9522 F0017/PATT105,BS9522 N0001/PATT 603,BS9522 F0090/PATT 608

### ☞ DIMENSIONS :-

SHELL SIZE DESIGNATOR	CONNECTOR SHELL SIZE	øA MAX.		øB MAX.		C MAX.		D MAX.	
		INCH	MM	INCH	MM	INCH	MM	INCH	MM
08	8/9	0.75	19.05	0.86	21.82	0.91	23.11	0.85	21.59
10	10/11	0.85	21.59	0.98	24.99	0.91	23.11	0.90	22.86
12	12/13	1.00	25.40	1.16	29.36	1.01	25.65	1.10	27.94
14	14/15	1.10	27.94	1.28	32.54	1.06	26.92	1.15	29.21
16	16/17	1.25	31.75	1.41	35.71	1.16	29.46	1.30	33.02
18	18/19	1.40	35.56	1.52	38.51	1.41	35.81	1.50	38.10
20	20/21	1.50	38.10	1.64	41.68	1.51	38.35	1.60	40.64
22	22/23	1.65	41.91	1.77	44.86	1.66	42.16	1.70	43.18
24	24/25	1.75	44.45	1.89	48.03	1.76	44.70	1.80	45.72

SHELL SIZE DESIGNATOR	CONNECTOR SHELL SIZE	E MAX.		F MAX.		G MAX.		H MAX.	
		INCH	MM	INCH	MM	INCH	MM	INCH	MM
08	8/9	1.10	27.94	1.15	29.21	1.32	33.53	0.77	19.61
10	10/11	1.10	27.94	1.15	29.21	1.36	34.65	0.80	20.40
12	12/13	1.20	30.48	1.25	31.75	1.44	36.53	0.87	22.00
14	14/15	1.25	31.75	1.30	33.02	1.48	37.59	0.93	23.57
16	16/17	1.36	34.44	1.40	35.56	1.59	40.28	0.99	25.17
18	18/19	1.60	40.64	1.65	41.91	1.70	43.28	1.11	28.19
20	20/21	1.70	43.21	1.75	44.45	1.75	44.40	1.17	29.77
22	22/23	1.85	46.99	1.90	48.26	1.79	45.52	1.24	31.37
24	24/25	1.95	49.56	2.00	50.80	1.84	46.63	1.30	32.94

<b>Amphenol</b>		TITLE		<b>STRAIN RELIEF BACKSHELL</b>			
<b>AIPL</b>						All Dimensions are in <b>MM/INCHES</b>	
Drawn by	<i>raghav</i>	Date	09/04/06	Dwg. No. <b>PSTDBS175</b>	Sheet 2 OF 3		
Checked by	<i>mahesh</i>	Date	10/04/06				
App. by	<i>paramesh</i>	Date	11/04/06				
				Dwg. Size <b>A4</b>	Doc. No.: QF-DEV-76 REV. NO. : 02		<b>STANDARD</b>

Issue No.	Eng. Ref. No.	REVISIONS	Date	App. By
1	--	ORIGINAL	11/04/06	paramesh
2				

**DIMENSIONS :-**

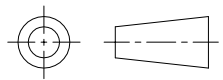
SHELL SIZE DESIGNATOR	CONNECTOR SHELL SIZE	J MAX.		K MAX.		CABLE ENTRY			
		INCH	MM	INCH	MM	MIN.		MAX.	
						INCH	MM	INCH	MM
08	8/9	1.38	35.05	1.00	25.40	0.10	2.49	0.23	5.94
10	10/11	1.38	35.05	1.10	27.94	0.15	3.89	0.23	5.94
12	12/13	1.46	37.08	1.10	27.94	0.19	4.83	0.33	8.33
14	14/15	1.63	41.40	1.25	31.75	0.26	6.60	0.46	11.61
16	16/17	1.80	45.72	1.30	33.02	0.28	7.19	0.61	15.60
18	18/19	1.82	46.23	1.35	34.29	0.33	8.26	0.63	16.10
20	20/21	1.90	48.26	1.60	40.64	0.34	8.71	0.70	17.73
22	22/23	2.04	51.82	1.75	44.45	0.38	9.68	0.82	20.90
24	24/25	2.15	54.61	1.85	46.99	0.42	10.62	0.85	21.67

**MATERIAL :-**

- ↳ Aluminium alloy as per ASTM B211 / B85
- ↳ Corrosion resistant steel as per AMS-QQ-S-763

**NOTE :-**

- ↳ For more Cable Entry and length options please refer PSTDBS506.

<b>Amphenol</b> <b>AIPL</b>			<b>TITLE</b> <b>STRAIN RELIEF BACKSHELL</b>				
Name: <i>raghav</i> Date: 09/04/06		<b>Dwg. Size</b> <b>A4</b>	<b>Dwg.No.</b> <b>PSTDBS175</b>			<b>STANDARD</b>	
Checked by: <i>mahesh</i> 10/04/06			<b>Doc. No.:</b> QF-DEV-76				
App. by: <i>paramesh</i> 11/04/06			<b>REV. NO. :</b> 02    Sheet 3 OF 3				

## X-ON Electronics

Largest Supplier of Electrical and Electronic Components

*Click to view similar products for [amphenol manufacturer](#):*

Other Similar products are found below :

[CTV06RGQF-17-52P](#) [CTVPS00RGF-23-6P-LC](#) [JTPQ00RT-16-35P\(453\)](#) [GC835TY2S](#) [CF-509621-29P](#) [BF8-1218-31SV-Y70](#) [TVP00RGW-23-6SA\(LC\)](#) [RNJ27CI1535P014](#) [10-553998-139](#) [21-033388-031](#) [10-507142-843](#) [GTS02R20-15P-025-116](#) [GTS06G-32-7S](#) [GTC06-36-78PX-023](#) [ACC02E28-51S-003-B30-LC](#) [TV06RL-13-35SD-LC](#) [TV06RL-13-35SD](#) [TV06RL-13-98SD-LC](#) [TV06RL-13-98SD](#) [GTC08AF32-15SX-B30-LC](#) [GTC06G32-76PZ](#) [TVP00RW-23-53AD](#) [100-007-213-002-001](#) [5M30-61](#) [JT07RT-22-14PB-453](#) [FSPP-103-00-004](#) [360031](#) [10-037090-161](#) [10-541504-001](#) [10-580902-409](#) [TV97RW-9-9S\(S15\)](#) [TVPS00RGF-9-5P-LC](#) [TVPS00RGF-9-5PA-LC](#) [TVP00RGQW-21-75P-LC](#) [TV06RW-25-90AE](#) [97-3108B16S-5PW-417](#) [PT06J20-24SW](#) [97-3108B16S-4PY-417](#) [97-3108B16S-4PX-417](#) [97-3108B16S-5PY-417](#) [97-3108B16S-4PW-417](#) [CS-DSDMDB37MF-025](#) [97-3108B16S-5PZ-417](#) [TV06RW-25-46AE](#) [TVS07RF-21-16AA](#) [TVS07RF-21-39BA](#) [60261626SNCOND1](#) [SE00TVW09](#) [CF-5A9013-04N](#) [CF-6A4615-06N](#)