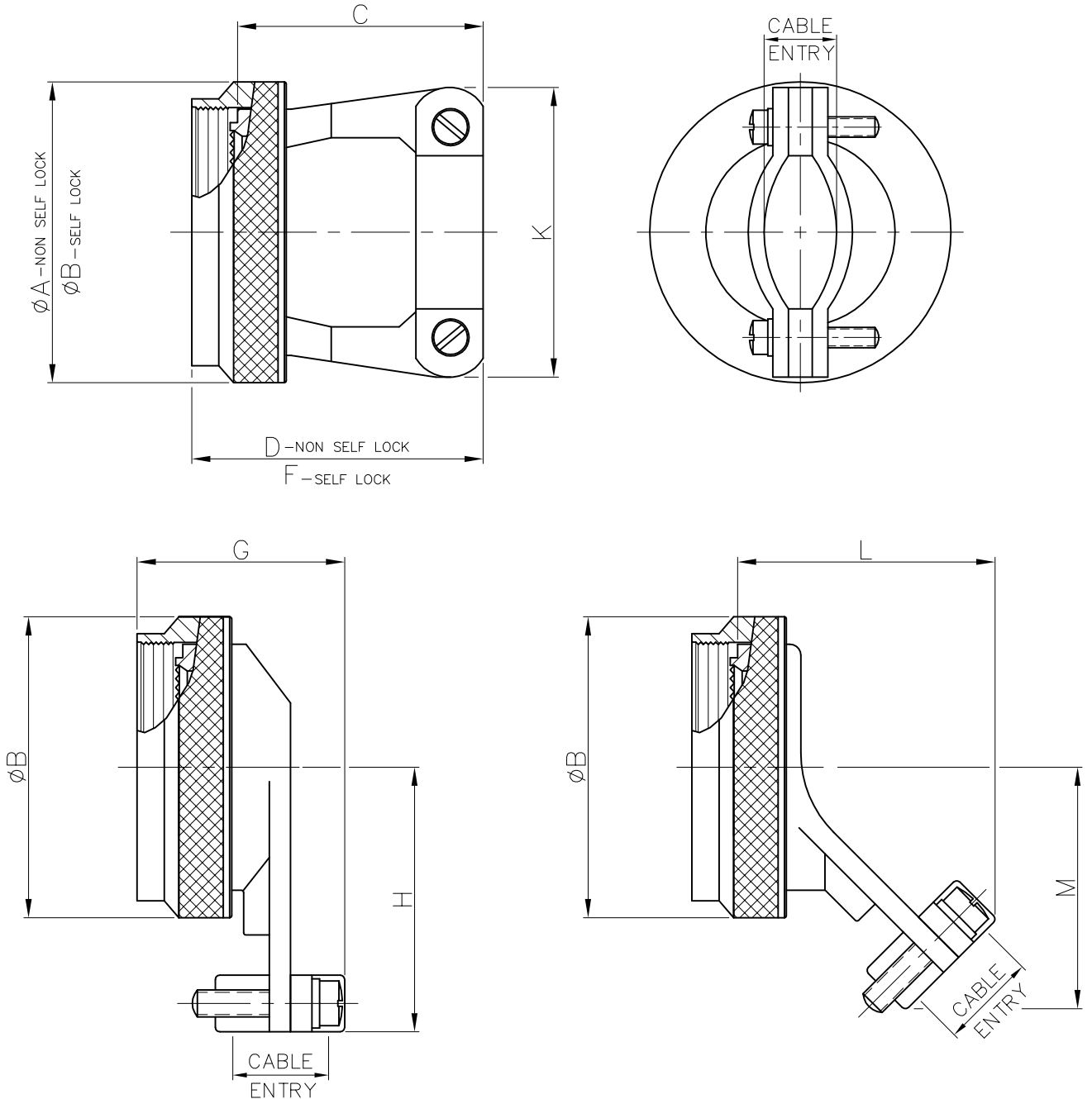


Issue No.	Eng. Ref. No.	REVISIONS	Date	App. By
1	--	ORIGINAL	11/04/06	paramesh
2				

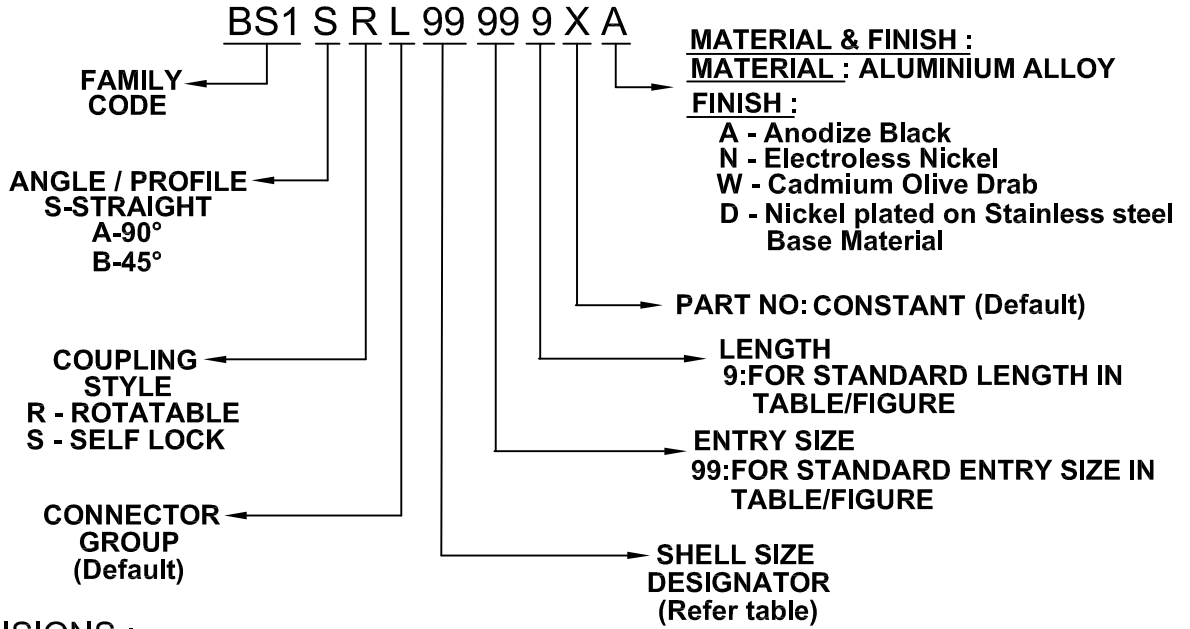
STRAIN RELIEF BACKSHELL :-



Amphenol AIPL		TITLE STRAIN RELIEF BACKSHELL (FOR CONNECTOR MIL-DTL-38999 Se -III & IV)		
		All Dimensions are in MM/INCHES		
Name <i>raghav</i>	Date 09/04/06	Dwg. No. PSTDBS149 Doc. No.: QF-DEV-76 REV. NO. : 02	Sheet 1 OF 3	STANDARD
Drawn by <i>raghav</i>	Date 09/04/06			
Checked by <i>maresh</i>	Date 10/04/06			
App. by <i>paramesh</i>	Date 11/04/06	Dwg. No. PSTDBS149	Sheet 1 OF 3	STANDARD

Issue No.	Eng. Ref. No.	REVISIONS	Date	App. By
1	--	ORIGINAL	11/04/06	paramesh
2				

PART NUMBERING SYSTEM :-



DIMENSIONS :-

SHELL SIZE DESIGNATOR	CONNECTOR SHELL SIZE	øA MAX.		øB MAX.		C MAX.		D MAX.	
		INCH	MM	INCH	MM	INCH	MM	INCH	MM
08	9/A	0.75	19.05	0.86	21.79	0.91	23.11	1.10	27.94
10	11/B	0.85	21.59	0.98	24.99	0.91	23.11	1.10	27.94
12	13/C	1.00	25.40	1.16	29.39	1.01	25.65	1.20	30.48
14	15/D	1.10	27.94	1.28	32.49	1.06	26.92	1.25	31.75
16	17/E	1.25	31.75	1.41	35.71	1.16	29.46	1.35	34.29
18	19/F	1.40	35.56	1.52	38.51	1.41	35.81	1.60	40.64
20	21/G	1.50	38.10	1.64	41.71	1.51	38.35	1.70	43.18
22	23/H	1.65	41.91	1.77	44.91	1.66	42.16	1.85	46.99
24	25/J	1.75	44.45	1.89	47.98	1.76	44.70	1.95	49.53

Amphenol AIPL			TITLE STRAIN RELIEF BACKSHELL (FOR CONNECTOR MIL-DTL-38999 Se -III & IV)				
						All Dimensions are in MM/INCHES	
Name		Date	Dwg. Size A4	Dwg.No. PSTDBS149		STANDARD	
Drawn by <i>raghav</i>		09/04/06					
Checked by <i>mahesh</i>		10/04/06	Doc. No.: QF-DEV-76 REV. NO. : 02	Sheet 2 OF 3			
App.by <i>paramesh</i>		11/04/06					

Issue No.	Eng. Ref. No.	REVISIONS	Date	App. By
1	--	ORIGINAL	11/04/06	paramesh
2				

DIMENSIONS :-

SHELL SIZE DESIGNATOR	CONNECTOR SHELL SIZE	F MAX.		K MAX.		G MAX.		H MAX.	
		INCH	MM	INCH	MM	INCH	MM	INCH	MM
08	9/A	1.21	30.73	0.85	21.59	1.31	33.27	1.00	25.40
10	11/B	1.21	30.73	0.90	22.86	1.31	33.27	1.10	27.94
12	13/C	1.31	33.27	1.10	27.94	1.51	38.35	1.10	27.94
14	15/D	1.35	34.29	1.15	29.21	1.55	39.37	1.25	31.75
16	17/E	1.45	36.83	1.30	33.02	1.71	43.43	1.30	33.02
18	19/F	1.71	43.43	1.50	38.10	1.81	45.97	1.35	34.29
20	21/G	1.81	45.97	1.60	40.64	1.95	49.53	1.60	40.64
22	23/H	1.95	49.53	1.70	43.18	2.10	53.34	1.75	44.45
24	25/J	2.05	52.07	1.80	45.72	2.21	56.13	1.85	46.99

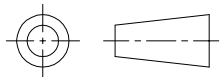
SHELL SIZE DESIGNATOR	CONNECTOR SHELL SIZE	L MAX.		M MAX.		CABLE ENTRY			
						MIN.		MAX.	
		INCH	MM	INCH	MM	INCH	MM	INCH	MM
08	9/A	1.320	33.53	0.77	19.61	0.10	2.49	0.23	5.94
10	11/B	1.364	34.65	0.80	20.40	0.15	3.89	0.23	5.94
12	13/C	1.438	36.53	0.87	22.00	0.19	4.83	0.33	8.33
14	15/D	1.480	37.59	0.93	23.57	0.26	6.60	0.46	11.61
16	17/E	1.586	40.28	0.99	25.17	0.28	7.19	0.61	15.60
18	19/F	1.704	43.28	1.11	28.19	0.33	8.26	0.63	16.10
20	21/G	1.748	44.40	1.17	29.77	0.34	8.71	0.70	17.73
22	23/H	1.792	45.52	1.24	31.37	0.38	9.68	0.82	20.90
24	25/J	1.836	46.63	1.30	32.94	0.42	10.62	0.85	21.67

MATERIAL :-

- ◇ Aluminium alloy as per ASTM B211 / B85
- ◇ Corrosion resistant steel as per AMS-QQ-S-763

NOTE :-

- ◇ For more Cable Entry and length options please refer PSTDBS506.

Amphenol AIPL		TITLE STRAIN RELIEF BACKSHELL (FOR CONNECTOR MIL-DTL-38999 Se -III & IV)				
		Dwg.No. PSTDBS149				
Name raghav	Date 09/04/06	Dwg. Size A4	Doc. No.: QF-DEV-76 REV. NO. : 02		STANDARD	
Drawn by	Date 10/04/06		Sheet 3 OF 3			
Checked by mahesh	Date 11/04/06					
App.by paramesh						

X-ON Electronics

Largest Supplier of Electrical and Electronic Components

Click to view similar products for [Amphenol](#) manufacturer:

Other Similar products are found below :

[PT01SE-16-8P\(476\)](#) [EN2997SE01006MN](#) [CTV06RW-11-2JB-LC](#) [JTPQ00RT-16-35P\(453\)](#) [MS3106B18-11PX](#) [GTS030-18-11S-116](#) [10-507142-843](#) [D38999/26JD19SALC](#) [D38999/26JD18PA](#) [JT07RT-22-35P](#) [D38999/26JD18SALC](#) [D38999/26JD18JA](#) [18-428](#) [JT07RT-22-35PC](#) [PT02E8-2S-072](#) [GTS06-14S-9SZ-025](#) [97-3102A22-10SW-958](#) [97-3102A22-10SX-958](#) [97-3102A22-10SY-958](#) [97-3102A22-5SW-959](#) [97-3102A22-5SX-959](#) [TVS06RF-17-35AD](#) [MS27468E25F43S](#) [97-3101A14S-9PX-959](#) [97-3101A14S-9PW-959](#) [JT07RT-8-35S](#) [MS27468E15F19PLC](#) [D38999/26JD35JA](#) [GTC030-28-21P-025-A31](#) [AIB2-22-14SC-072](#) [AIB2-22-22SC-RDS-072](#) [TVPS00RK-11-2AC](#) [AIB2-22-22PC-072](#) [100-007-213-002-001](#) [MS3108B28-15PY](#) [JT07RT-22-14PB-453](#) [GTS00AF28-7S](#) [2M801-010-01M16-5SA](#) [TV07DZ-23-151S-S1](#) [TV07DZ-23-151S-S1AD](#) [TVS06RF-21-79S\(LC\)](#) [TVS07RF-21-79S\(LC\)](#) [GTS00A-28-84S](#) [PT03SE-14-12PLC](#) [GTCL01-24-2SW-025-B30](#) [AIB30-14S-5SC-L](#) [AIB30-14S-5SXC-L](#) [97-3108A14S-5PX](#) [TVS07RF-19-11BB](#) [CTVS06RF-17-6BB](#)