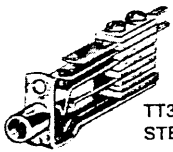
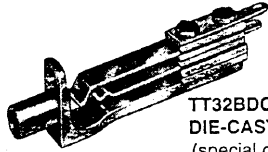


SWITCHCRAFT, INC. 5555 N. Elston Ave. • Chicago, IL 60630 • 312 631-1234 • FAX: 312 792-2129

### TT-JAX® (.173") TELEPHONE JACKS BANTAM TYPE®



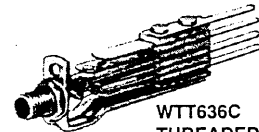
TT36  
STEEL FRAME



TT32BDC  
DIE-CAST FRAME  
(special order only)



TT36FM  
FRONT MOUNT



WTT636C  
THREADED BUSHING

#### FEATURES

- Steel (standard) or die-cast frames (special order).
- 2-or 3-conductors.
- Palladium crossbar welded contacts are standard in switching circuits. Fine silver or gold alloy contacts are available on special order.
- Series TT30, TT30FM and TT600 - solder lugs; Series WTT-30, WTT30FM and WTT600FM - wire-wrapping terminals. Bussing solder lugs are available on special order.
- Series TT30 and WTT30 jacks mounts in Series 1600, A1600, B1600 and C1600 jacks panels.
- Series TT30FM and WTT30FM jacks mount in Series TT51, TT52, TT55 and TT56 jack panels.
- Series TT600 and WTT600 jacks mount in .25 inch diameter holes in panels up to .281 inches thick. Mounting centers: .438 inches.

#### SWITCHCRAFT VS. MIL NUMBERS

Jack Number	MIL Spec. Number
TT32B	641/19-2
TT32BFM	641/19-6
TT34B	641/19-4
TT34BFM	641/19-8
TT36C	641/19-10
WTT32B	641/19-1
WTT32BFM	641/19-5
WTT34B	641/19-3
WTT34BFM	641/19-7
WTT36C	641/19-9

Part Numbers, Jack with Solder Lugs					Schem. <sup>1</sup>	Dim. "X" Max. In (mm) <sup>2</sup>	Cond.	Typical Mating Plug <sup>3</sup>
Series TT30		Series TT30FM		Series TT600				
Steel	Die Cast	Steel	Die Cast	Steel				
TT31	◊TT31DC	TT31FM	◊TT31FMDC	TT631	I	.422 (10.7)	2	TT251
TT32A	◊TT32ADC	TT32AFM	◊TT32AFMDC	TT632A	III	.406 (10.3)	2	TT251
TT32B	◊TT32BDC	TT32BFM	◊TT32BFMDC	◊TT632B	IV	.469 (11.9)	3	TT253
TT32C	◊TT32CDC	◊TT32CFM	◊TT32CFMDC	◊TT632C	XVIII	.422 (10.7)	2	TT251
TT33	◊TT33DC	TT33FM	◊TT33FMDC	◊TT633	V	.578 (14.7)	2	TT251
◊TT33B	◊TT33BDC	◊TT33BFM	◊TT33BFMDC	◊TT633B	VII	.484 (12.3)	3	TT253
TT34A	◊TT34ADC	◊TT34AFM	◊TT34AFMDC	◊TT634A	XI	.547 (13.9)	2	TT251
TT34B	◊TT34BDC	TT34BFM	◊TT34BFMDC	TT634B	XII	.50 (12.7)	3	TT253
TT34C	◊TT34CDC	TT34CFM	◊TT34CFMDC	◊TT634C	XVII	.547 (13.9)	2	TT251
TT34F	◊TT34FDC	-	-	-	XIX	.609 (15.5)	2	TT251
TT35	◊TT35DC	◊TT35FM	◊TT35FMDC	◊TT635	XIII	.609 (15.5)	2	TT251
TT36	◊TT36DC	◊TT36FM	◊TT36FMDC	◊TT636	XX	.609 (15.5)	3	TT253
TT36A	◊TT36ADC	TT36AFM	◊TT36AFMDC	TT636A	XIV	.625 (15.9)	3	TT253
TT36B	◊TT36BDC	-	-	-	XXI	.703 (17.9)	3	TT253
TT36C	◊TT36CDC	TT36CFM	◊TT36CFMDC	◊TT636C	XXII	.625 (15.9)	3	TT253

Part Numbers, Jack with Wire Wrapping Terminals					Schem. <sup>1</sup>	Dim. "X" Max. In (mm) <sup>2</sup>	Cond.	Typical Mating Plug <sup>3</sup>
Series WTT30		Series WTT30FM		Series WTT600				
Steel	Die Cast	Steel	Die Cast	Steel				
WTT31	◊WTT31DC	WTT31FM	◊WTT31FMDC	WTT631	I	.422 (10.7)	2	TT251
WTT32A	◊WTT32ADC	WTT32AFM	◊WTT32AFMDC	WTT632A	III	.406 (10.3)	2	TT251
WTT32B	◊WTT32BDC	WTT32BFM	◊WTT32BFMDC	WTT632B	IV	.469 (11.9)	3	TT253
◊WTT32C	◊WTT32CDC	◊WTT32CFM	◊WTT32CFMDC	◊WTT632C	XVIII	.422 (10.7)	2	TT251
WTT33	◊WTT33DC	WTT33FM	◊WTT33FMDC	◊WTT633	V	.578 (14.7)	2	TT251
◊WTT33B	◊WTT33BDC	◊WTT33BFM	◊WTT33BFMDC	◊WTT633B	VII	.484 (12.3)	3	TT253
◊WTT34A	◊WTT34ADC	◊WTT34AFM	◊WTT34AFMDC	◊WTT634A	XI	.547 (13.9)	2	TT251
WTT34B	◊WTT34BDC	WTT34BFM	◊WTT34BFMDC	WTT634B	XII	.5 (12.7)	3	TT253
-	-	-	-	◊WTT634C	XVII	.547 (13.9)	2	TT251
◊WTT35	◊WTT35DC	◊WTT35FM	◊WTT35FMDC	◊WTT635	XIII	.609 (15.5)	2	TT251
◊WTT36	◊WTT36DC	◊WTT36FM	◊WTT36FMDC	◊WTT636	XX	.609 (15.5)	3	TT253
◊WTT36A	◊WTT36ADC	◊WTT36AFM	◊WTT36AFMDC	◊WTT636A	XIV	.625 (15.9)	3	TT253
WTT36C	◊WTT36CDC	WTT36CFM	◊WTT36CFMDC	◊WTT636C	XXII	.625 (15.9)	3	TT253

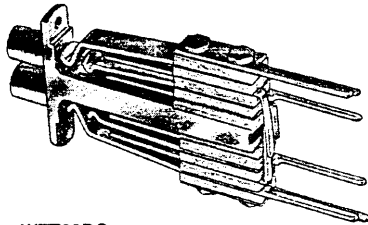
◊ Special order only.  
 1 See schematic diagrams.  
 2 "X" dimension of die cast frame jacks may be slightly greater.  
 3 See mating plugs section.  
 4 Add "N" for metal-plated frame and "Y" for offset solder lugs.

NOTE: Contact your Switchcraft Representative for price and delivery.

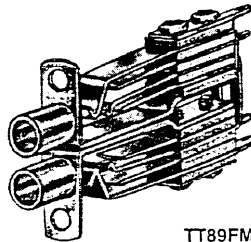
All products shown in this catalog are covered by Switchcraft's limited lifetime warranty. Registered trademark of Switchcraft, Inc.

SWITCHCRAFT, INC. 5555 N. Elston Ave. • Chicago, IL 60630 • 312 631-1234 • FAX: 312 792-2129

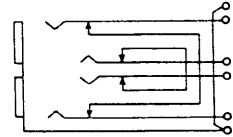
### TT-JAX® (.173") TELEPHONE TWIN JACKS BANTAM TYPE®



WTT89DC  
DIE-CAST FRAME (special order only)



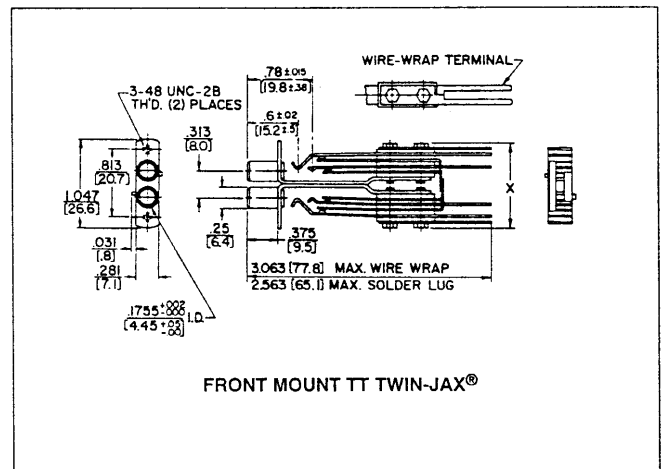
TT89FM  
STEEL FRAME



SCHEMATIC

### FEATURES

- Steel or die-cast frames. (Special order only).
- Twin, 3-conductor jacks on .312 inch centers, interconnected so circuit is opened when a mating plug is inserted in one side of the jack.
- Palladium welded crossbar contacts are standard in switching circuits.
- Solder lugs or wire-wrapping terminals.
- TT89, TT89C, WTT89 and WTT89DC jacks mount in Series 1700 jack panels.
- TT89FM, TT89FMDC, WTT89FM and WTT89FMDC jacks mount in Series TT59, TT60, TT61 and TT62 jack panels.



### SPECIFICATIONS

**Frame:** Steel, iridescent iridite over cadmium plating or die-cast zinc (special order only), zinc-plated with dichromate finish.

**Stack Screws:** Steel, zinc-plated and passivated.

**Bushing:** Brass, iridescent iridite over cadmium plating (steel frame only).

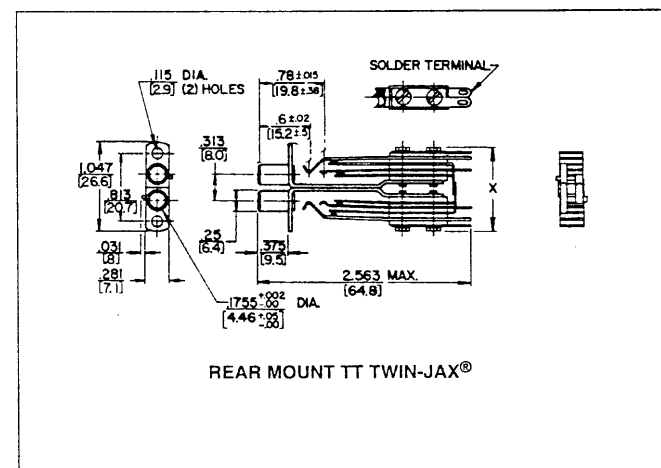
**Tip, Ring and Contact Springs:** Special spring tempered nickel silver.

**Contacts:** Welded crossbar palladium. Other alloys in various sizes available on special order.

**Insulation:** XXXP phenolic spacers type PBE-P per MIL-LP-513 with plastic tubing through stack assembly.

**Mounting Hardware:** #3-48x1/4 inch mounting screws, P10834, can be ordered separately for TT89, TT89DC, WTT89 and WTT89DC jacks. Two mounting screws, P25424, are supplied with TT89FM, TT89MDC, WTTFM and WTT89FMDC jacks.

**NOTE:** Dimensional drawings show panels with steel frame jacks. Overall dimensions for steel or die-cast frame jacks are the same.



Solder Lugs		Wire-Wrapping Terminals		Dim. "X" Max. Inch (mm)	Conductors	Typical Mating Plug <sup>2</sup>
Steel	Die Cast	Steel	Die Cast			
TT89	∅TT89DC	WTT89	∅WTT89DC	Note 1	Twin	TT263
TT89FM	∅TT89FMDC	WTT89FM	∅WTT89FMDC	1.188 (3.02)	3-conductor	TT263

<sup>1</sup> Jacks with solder lugs: 1.062 (27). Jacks with wire-wrapping terminations: 1.688 (42.9).

<sup>2</sup> See mating plugs section.

<sup>3</sup> Special order only

DIMENSIONS ARE FOR REFERENCE ONLY  $\frac{\text{Inch}}{\text{(mm)}}$

NOTE: Contact your Switchcraft Representative for price and delivery.

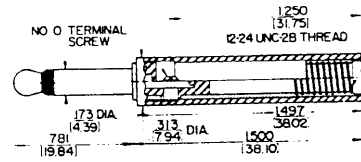
## .173" MINIATURE TELEPHONE PLUGS BANTAM TYPE



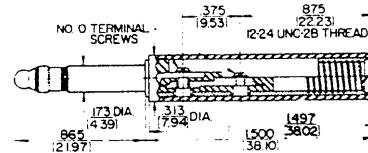
TT251 and TT252



TT253 and TT254



TT251 and TT252



TT253 and TT254

### FEATURES

2- and 3-conductor miniature non-shorting telephone plugs designed for use with TT-Jax®, Unijax®, and other phone jacks with a .176 inch inside diameter bushing. Approximately 1/2 the size of standard phone plugs, yet retains the uniformity, dependability and quality of MIL-type phone plugs.

TT-Plug® Miniature Telephone Plugs are the first to offer 2- and 3-conductors in an attachable type with twist handles for quick assembly. Series TT250 phone plug is available with red or black handles. Other color handles available on special order. Also available with nickel-plated plug fingers. (Add "N" to part number: 253N, 254N)

Plugs feature a one-piece tip rod, ring and a one-piece sleeve with integral plug body, assembled together into a mold as inserts. Providing complete continuity of thermoplastic insulation between tip rod, ring and sleeve. Internal interlock of all parts prevents shifting and shorting under extreme rugged usage.

Internal 12-24 threads in end of plug body are intended for threading over outer jacket of a patch cord to provide a superior cable anchor.

Patch cords such as Switchcraft Series TT700 (or other .216 inch diameter cable) are easily attached to Series TT250 by screw terminals.

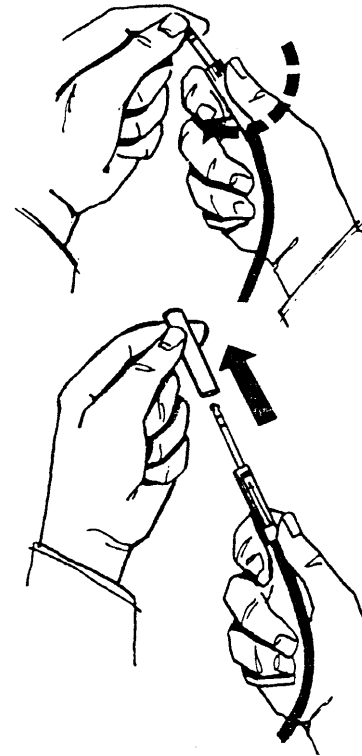
### SPECIFICATIONS

**Tip Rod, Ring, Sleeve and Body:** Brass, natural finish.

**Terminals and Terminal Screws:** Half-hard brass, natural finish.

**Insulation:** Nylatron.

**Handle:** Molded plastic.



Removing handle from plug body can be easily accomplished by lightly squeezing the knurled area of the handle and twisting 30° counter-clockwise.

Part Number	Conductors	Terminals	Typical Mating Jack <sup>1</sup>	Handle	Handle Part Number	MIL-Type Number
TT251	2	Screw <sup>2</sup>	TT31	Black	T2302	-
TT252	2		TT31	Red	T2315	-
TT253	3		TT32B	Black	T2307	M642/13-1
TT253N	3		TT32B	Black	T2324	-
TT254	3		TT32B	Red	T2301	M642/13-2
TT254N	3		TT32B	Red	T2325	-
2P2003	3		TT32B	Less Handle	-	-

<sup>1</sup> Switchcraft Part Numbers. Additional mating jacks are listed in this section.

<sup>2</sup> Switchcraft Replacement screw P2440; terminal P2642. One of each required with 3-conductor plug.

DIMENSIONS ARE FOR REFERENCE ONLY Inch  
(mm)

NOTE: Contact your Switchcraft Representative for price and delivery.

## X-ON Electronics

Largest Supplier of Electrical and Electronic Components

*Click to view similar products for [switchcraft](#) manufacturer:*

Other Similar products are found below :

[8382-2PG-3DC](#) [585](#) [6006L](#) [60324L](#) [60KD4M](#) [M444B](#) [MMVP48K175T](#) [MMVP96K3NNT](#) [PT8FX8MX2DB25](#) [1200](#) [12011](#)  
[QGPK1CAT5E](#) [AAA5FBAUZ](#) [12JL6M](#) [D6MBAU](#) [13033T](#) [13382-10PG-321](#) [DS317](#) [E3FAUQG](#) [E3FDAU](#) [E3FDB](#) [E3FDRAAU](#)  
[E3FDRAB](#) [E3FDSTAU](#) [E3FDSTBAU](#) [E3FRAAUQG](#) [E3FSTB](#) [E3FSTBAU](#) [E3MAU](#) [E3MAUQG](#) [EHFW800X2PKG](#) [160](#) [EMHB](#)  
[MT334B](#) [MT48FNX](#) [EN3C11F26](#) [EN3P3FP](#) [MVP32K1NTX](#) [175](#) [18QA18](#) [18QF18](#) [18QK18](#) [20QD20N4](#) [20QF20](#) [20QF20N2](#) [20QF20N6](#)  
[P10834](#) [P2724](#) [JP9922](#) [K132](#)