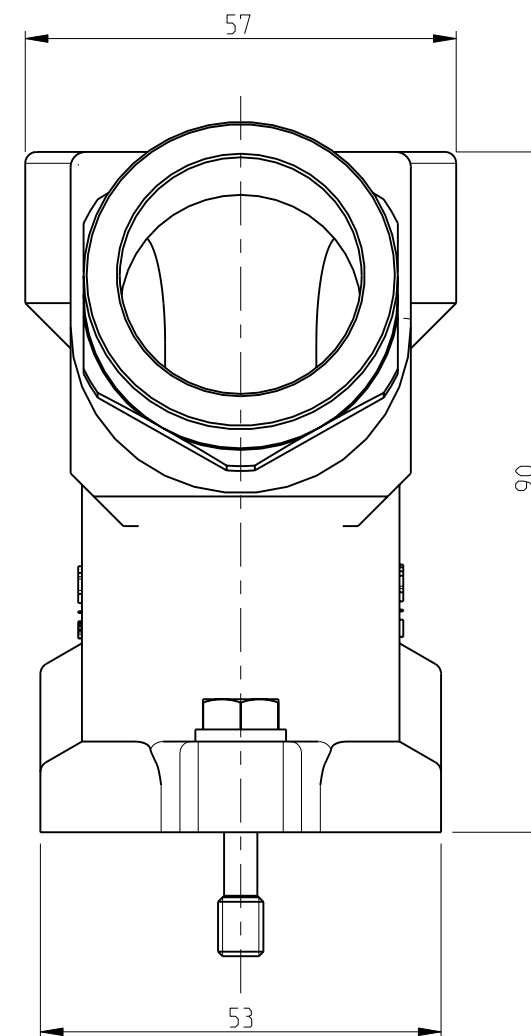
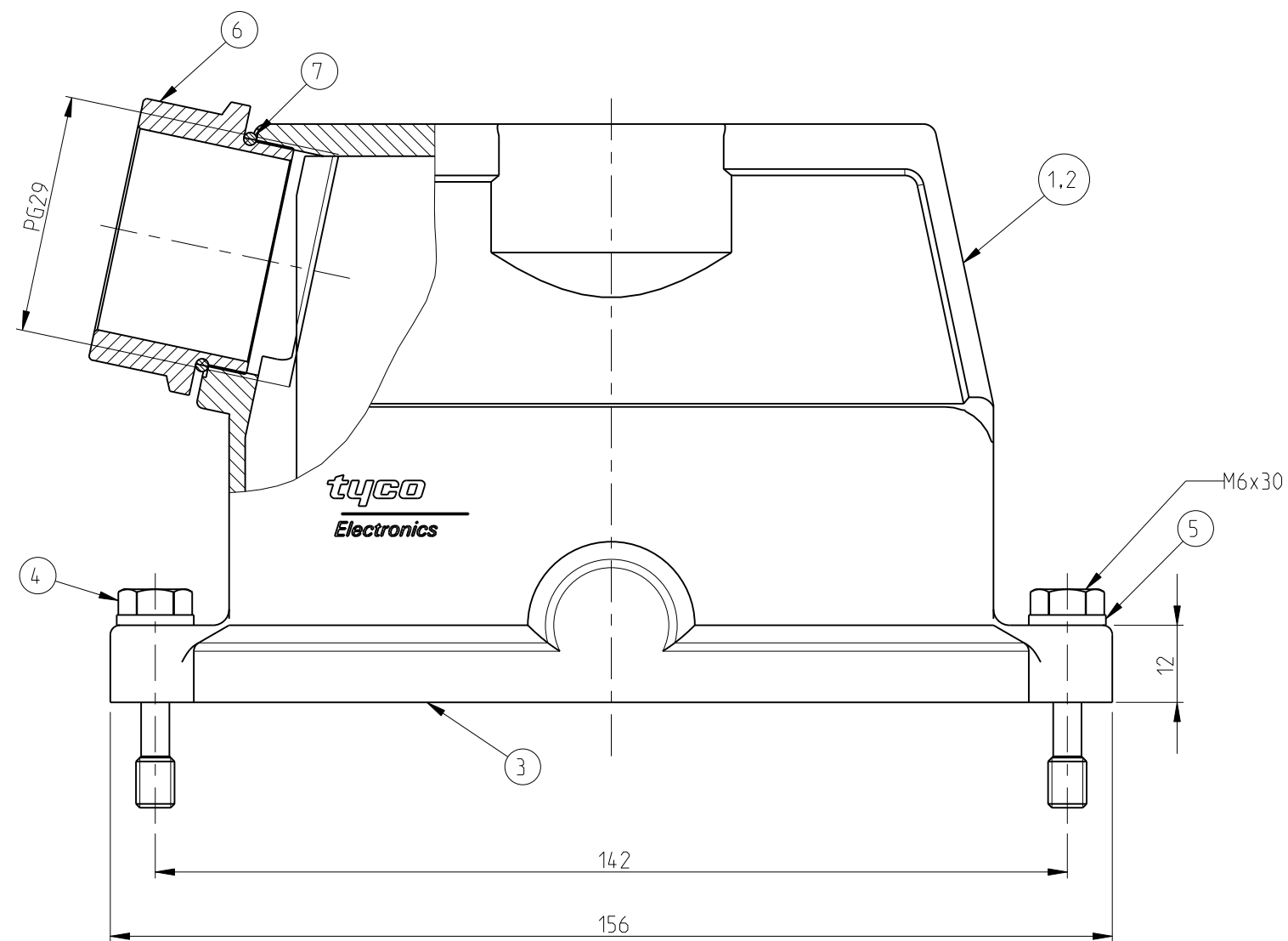


THIS DRAWING IS UNPUBLISHED. RELEASED FOR PUBLICATION .1997
 © COPYRIGHT 1997 BY TYCO ELECTRONICS CORPORATION. ALL RIGHTS RESERVED.

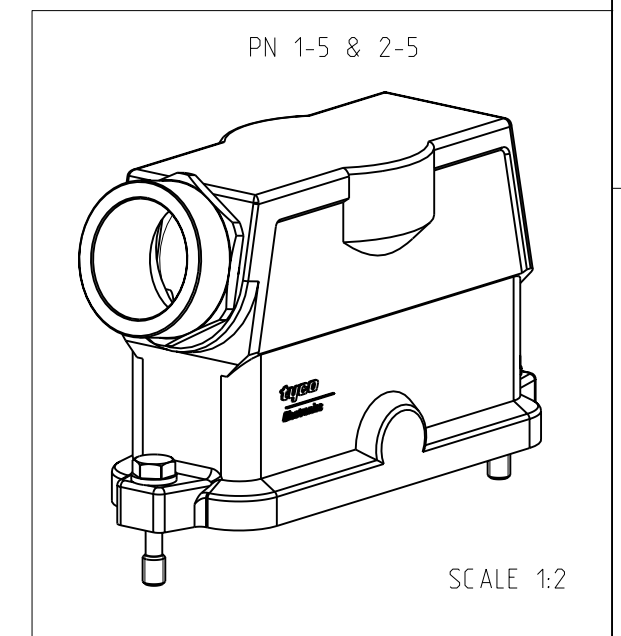
LOC	DIST	REVISIONS			
P	LTR	DESCRIPTION	DATE	DWN	APVD
A1	-	Released as per ECR-07-030419	17.12.07	SP	TS

PN 1-5 & 2-5



NOTES

- 1 Material: Housing: Aluminium Diecasting Alloy
Seals: Neoprene
- 2 Surface: - varnish-grey
Aluminium oxide+
Varnish black
- 3 Varnish on the inside not necessary
- 4 Packaging quantity: 5 pieces in a box



QTY	DESCRIPTION	MATERIAL	SURFACE	COLOR	ITEM NO	REMARKS
1	1	O-Ring Pg 29	Neoprene	-	Black	7
1	1	Adaptor Pg 29	Brass	Nickel plated	Blue	6
2	2	Spring washer	Stainless steel	Blank	Blue	5 B6.4
2	2	Fixing screw	Stainless steel	Blank	4	M6x30
1	1	Seal Bg8	Neoprene	-	Black	3 -
1	1	Hood HIP-K	Aluminium	Aluminium oxide	Black	2
1	1	Hood HIP	Aluminium	-	Grey	1
2-5	1-5	DESCRIPTION	MATERIAL	SURFACE	COLOR	ITEM NO
ORDERING TEXT						
HIP.24/64.STS.1.29.Z						
HIP-K.24/64.STS.1.29.Z						

THIS DRAWING IS A CONTROLLED DOCUMENT FOR TYCO ELECTRONICS CORPORATION IT IS SUBJECT TO CHANGE AND THE CONTROLLING ENGINEERING ORGANIZATION SHOULD BE CONTACTED FOR THE LATEST REVISION.		DWN Schneider 07.11.02	Tyco Electronics, AMP, GmbH D-53819, Neunkirchen, Germany			
DIMENSIONS: mm		CHK Schweiger 07.11.02	NAME Hood HIP size8 HIP.24/64.STS.1.29. Z			
TOLERANCES UNLESS OTHERWISE SPECIFIED: 0 PLC ± 1 PLC ± 2 PLC ± 3 PLC ± 4 PLC ± ANGLES ±		APVD -	PRODUCT SPEC 108-74030			
MATERIAL		FINISH	APPLICATION SPEC 114-74017			
		WEIGHT	SIZE A2			
		CUSTOMER DRAWING	CAGE CODE 00779			
			DRAWING NO 1102659			
			RESTRICTED TO -			
			SCALE 1:1			
			SHEET 1 OF 1			
			REV A2			

X-ON Electronics

Largest Supplier of Electrical and Electronic Components

Click to view similar products for [triqunt semiconductor manufacturer](#):

Other Similar products are found below :

[WJA1510-PCB](#) [854916](#) [TQP7M9106-PCB900](#) [TQP3M9008-PCB-RF](#) [TQP3M9009-PCB-RF](#) [TQP4M9072-PCB_IF](#) [TQP7M9103-PCB2140](#)
[WJA1500-PCB](#) [TQL9048-PCB-RF](#) [TQL9047-PCB-RF](#) [TQP3M9007-PCB](#) [TQP3M9038-PCB-RF](#) [TQM879028-PCB2140](#) [TQP369182-PCB](#)
[TQP3M9005-PCB](#) [TQP3M9035-PCB](#) [TQP369181-PCB](#) [TQP3M9028-PCB-RF](#) [TQP3M9019-PCB-RF](#) [TGA2575](#) [TQP369185-PCB](#)
[TGA2583-SM](#) [TGA2576-2-FL](#) [TQP3M9037-PCB](#) [TGA2585-SM](#) [TGA2594](#) [855735](#) [TGP2102](#) [TGS2353-2-SM](#) [TGA4030-SM](#) [TGF2023-2-](#)
[01](#) [TGL4203](#) [TGA4521](#) [880157](#) [854662](#) [TGA2565-SM](#) [TQP770001](#) [TGA2526](#) [TGA4522](#) [TAT7461](#) [TGF2023-2-02](#) [TQL1600](#) [TAT7460](#)
[TGL4201-00](#) [TGL4201-10](#) [TQP7M9106](#) [TAT7430B](#) [1100031](#) [TAT7461-P](#) [856020](#)