

Count Controls/Preset Counters



Contents

Description

Page

Count Controls/Preset Counters	
Product Selection Guide	62
1/16 DIN Battery Powered LCD Count Control	63
1/16 DIN LCD Preset Counters with Rate and Time	65
Eclipse Series—Durant®	67
Ambassador Series—Durant®	70
President Series—Durant®	74
PD-Q and PD-ER Series—Durant®	79

Learn
Online

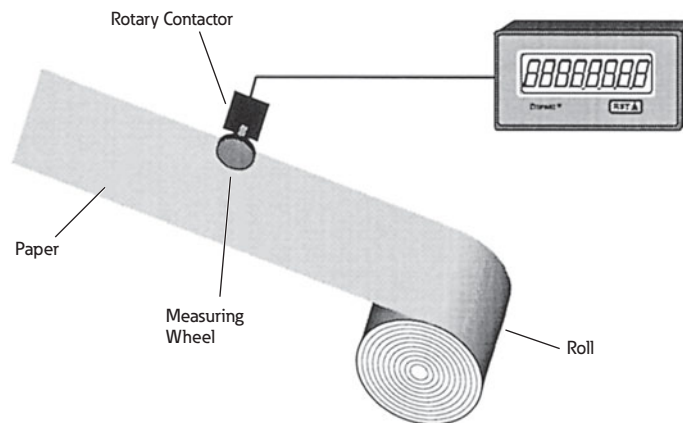
Product Overview

Count controls are counters that provide output signal(s) at preset count value(s). Typical applications include cut-to-length, batching, filling, mixing and dispensing. A variety of count controls in different sizes, display types and feature sets are available from Eaton.

Application Description



The illustration shows a simple cut-to-length application. The roll of paper is measured using a measuring wheel and rotary contactor (or encoder). Once the desired length is reached, an output signal may be directed to a shear for activation. Following the cut-off, the count control will reset to zero and begin measurement of the next piece. Options such as batch counting, where the number of cut pieces is counted, are also typical of this application.

Application Example



Product Selection Guide

Count Controls/Preset Counters

	Characteristics	Panel Cutout in Inches (mm)	Page
E5-148-C 	Low cost, simple count control Battery operated Easy-to-change preset values Two-line display: input and preset values	1.772 x 1.772 (45 x 45)	63
E5-648-C 	Two-line display: counter, timer or tachometer AC or DC power options Wide choice of count modes for pulse inputs, time or frequency Two or four presets	1.772 x 1.772 (45 x 45)	65
Eclipse 	Six-digit, super bright LED display Multiple models available: totalizers, ratemeters, count controls, digital panel meters and flow controls	1.772 x 3.780 (45 x 96)	67
Ambassador 	Six-digit, high-visibility, two-line LCD display User-configurable control inputs Highly flexible control/display	2.667 x 2.667 (68 x 68)	70
President 	Bright LED display with 14 mm characters Simple configuration with 14-button tactile keypad Many different versions fit almost any application	2.667 x 5.433 (68 x 138)	74
PD-Q and PD-ER 	Electromechanical pre-set counter Easy setpoint adjustment using pushbuttons Base mount or panel mount	272 x 1.59 (69 x 40.5) (panel mount model)	79
Fusion 	Integrated controller combines operator interface, ladder logic and high-speed counting	2.667 x 5.433 (68 x 138)	120

1/16 DIN LCD Preset Counters with Rate and Time**Product Description**

AC or DC powered preset counters that can function as timer or tachometer/ratemeter.

Features

- Two-line display with green backlight (E5-648-C2421 and E5-648-C2422) or multi-color red/green LED backlighting (E5-648-C4461 and E5-648-C4462)
- Programmable as preset counter, batch counter or totalizer
- Power supply: 90–260 Vac or 10–30 Vdc
- Direct input of the presets via front keys or Teach-In input
- Relay outputs
- Scaling by multiplication and division factors 0.0001 to 99.999
 - Two preset values, two outputs
 - Four preset values, four outputs

Standards and Certifications

- cRU[®]us approval
- CE marked

**Product Selection**

E5-648-C

**1/16 DIN Two-Line LCD Count Control**

Description	Catalog Number
Two Preset LCD Count Control with Backlighting	
90–260 Vac power 1.89 x 1.89 in (48 x 48 mm)	E5-648-C2421
10–30 Vdc power 1.89 x 1.89 in (48 x 48 mm)	E5-648-C2422
Four Preset LCD Count Control with Multi-Color Display	
90–260 Vac power 1.89 x 1.89 in (48 x 48 mm)	E5-648-C4461
10–30 Vdc power 1.89 x 1.89 in (48 x 48 mm)	E5-648-C4462 ^①

Technical Data and Specifications**General Specifications**

Description	Specification
Power supply	10–30 Vdc external fuse protection
	90–260 Vac max. 8 VA external fuse protection
Display	Two-line LCD display, six digits with programmable decimal point
Figure size	0.35 in (9 mm) high upper line
	0.28 in (7 mm) high lower line
Count inputs	Two count inputs (A and B), programmable for count/count direction, up/up, up/down, quadrature, quad2, quad4, A/B or (A-B)/A x 100%
Input polarity	Programmable for all inputs in common NPN/PNP
Input resistance	Approx. 5k ohms
Count frequency	Max. 55 kHz with programmable filter for 30 Hz (see manual for details)
Input min. pulse duration	10 ms for control inputs/1 ms for reset input
Switching levels	
DC supply voltage	
High	0.6 x UB–30 Vdc
Low	0–0.2 x UB (Vdc)
AC supply voltage	
High	12–30 Vdc
Low	0–4 Vdc
Pulse shape	Variable (Schmitt-Trigger characteristics)

Note

^① Not a stocked product, contact Eaton Care for assistance.

1.2

Counters, Panel Meters, Tachometers and Timers

Count Controls/Preset Counters

1

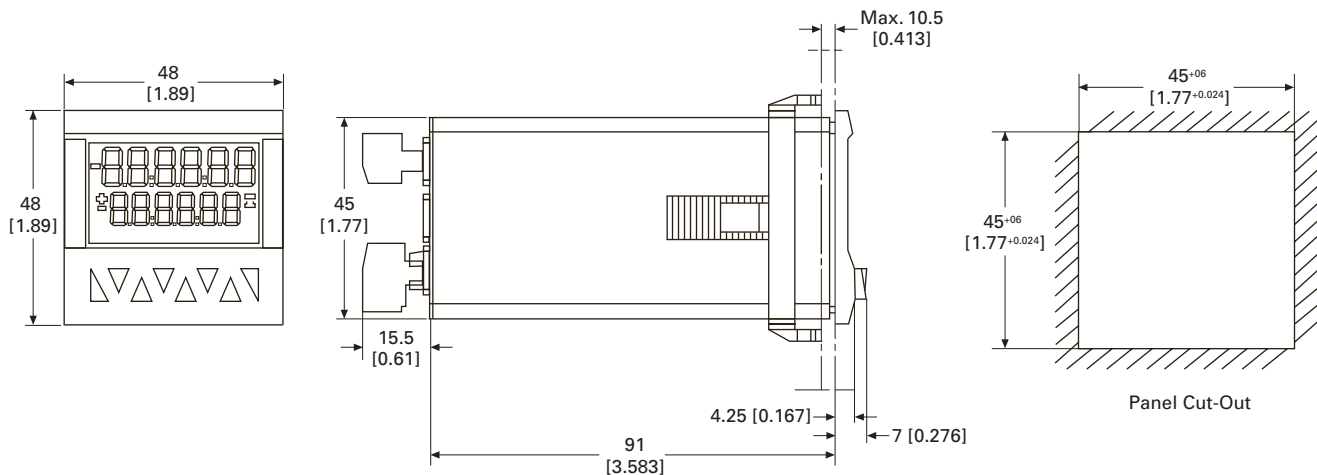
General Specifications, continued

Description	Specification
Output 1	
Relay	Programmable as normally open or normally closed
Switching voltage max.	250 Vac/110 Vdc
Switching current max.	3A AC/3A DC
Switching current at DC min.	30 mA DC
Switching power at DC	90W
Switching power at AC max.	750 VA
Output 2	
Relay	Relay with changeover/Form C contact
Switching voltage max.	250 Vac/110 Vdc
Switching current max.	3A AC/3A DC
Switching current at DC min.	30 mA DC
Switching power at DC	90W
Switching power at AC max.	750 VA
Reaction time of the outputs	Approximately 10 ms
Data retention	Min. 10 years or 1 million memory cycles
Sensor supply voltage	
AC powered unit	24 Vdc \pm 15%, 80 mA
DC powered unit	Max. 80 mA, DC voltage is connected through
Ambient operating temperature	-4° to 149°F (-20° to +65°C)
Storage temperature	-13° to 167°F (-25° to 75°C)
EMC	
Emitted interference	EN 55011 Class B
Immunity to interference	EN 61000-6-2
Protection	IP65 (front)
Weight	Approx. 4.4 oz (125g)

Dimensions

Approximate Dimensions in mm [Inches]

1/16 DIN Two-Line LCD Count Control



X-ON Electronics

Largest Supplier of Electrical and Electronic Components

Click to view similar products for [eaton](#) manufacturer:

Other Similar products are found below :

[BK-MDL-3-R](#) [BK1-S506-500-R](#) [BK1-S506-6-3-R](#) [BK1-S506-2-R](#) [MPI4040R4-1R5-R](#) [TDC600-10A](#) [89096-015](#) [8946K153](#) [8961K155](#)
[M22-DL-W-X0](#) [M22-D-R-GB0/K11](#) [M22-L-R/R](#) [M22S-ST-GB12](#) [630NHG3B](#) [63ET](#) [6422](#) [6580](#) [CTX20-16-52LP-R](#) [CWL530FI](#)
[CXM/CO/GP/R/BB](#) [6HD36](#) [714125](#) [MBO-2](#) [ESR5-NO-41-24VAC-DC](#) [7314K36](#) [7321K2](#) [F02A-1-1/2A](#) [F02A-1-1/2AS](#) [F02A-1AS](#) [F02A-2AS](#) [F02A-3/4A](#) [F03A250V12A](#) [F03B125V4A](#) [MCR-4](#) [MDA-2-8/10-R](#) [MDA-30A](#) [MDA-V-1/16](#) [F60C500V10AS](#) [F60C500V15AS](#)
[7563K84](#) [7634K36](#) [MDQ-3/16](#) [MDQ-7/10](#) [MDQ-V-1/10](#) [MDQ-V-1-1/4](#) [MDQ-V-1/16](#) [MDQ-V-1/2](#) [MDQ-V-1/4](#) [MDQ-V-3/16](#) [MDQ-V-3/8](#)