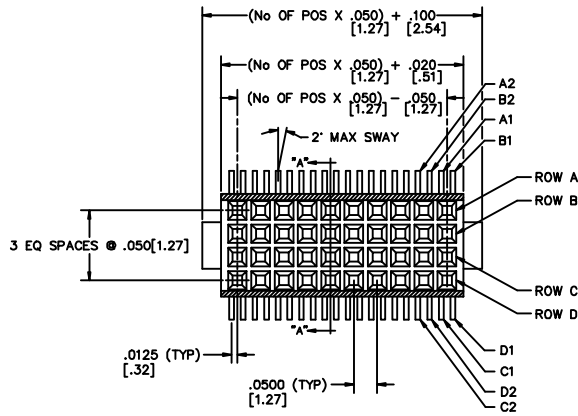


REVISIONS AD

UNLESS OTHERWISE NOTED TOLERANCES ARE:

DIMENSIONS ARE IN INCHES	ONE PLACE DECIMALS ± .1	THREE PLACE DECIMALS ± .005	TOLERANCES ARE:
	TWO PLACE DECIMALS ± .01	FOUR PLACE DECIMALS ± .0020	ANGLES ± 5°

TITLE: .050 X .050 C.L. 4 ROW SOCKET STRIP  
 DWG NO: FOLC-1XX-X2-XX-Q-XXX-XX  
 SHEET 1 OF 2



FOLC-1XX-X2-XX-Q-XXX-XX

**No. OF POSITIONS**  
-05 THRU -50

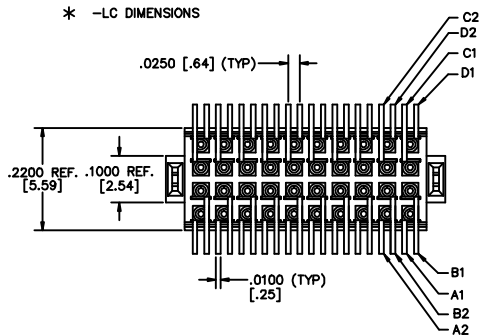
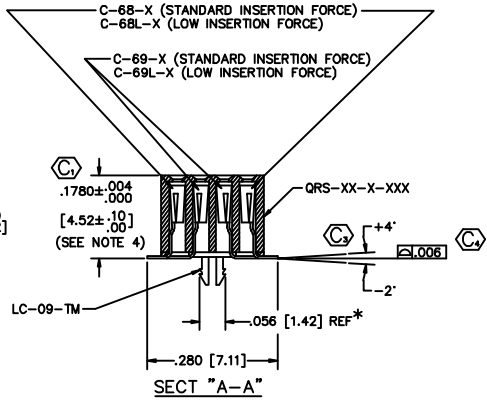
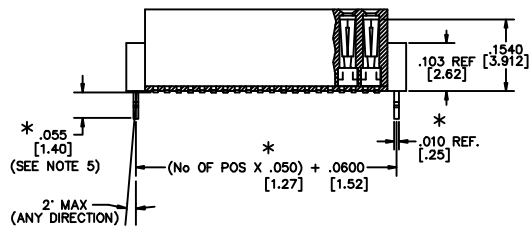
**LEAD STYLE**  
-02: SURFACE MOUNT  
-L2: LOW INSERTION FORCE SURFACE MOUNT

**OPTION**  
-P: PICK AND PLACE PAD (SEE FIG 3, SHT 2)  
-TR: TAPE & REEL  
-K: POLYAMIDE FILM PAD (.005 [.13] THICK W/ SILICONE ADHESIVE)(SEE FIG 4, SHT 2) (USE K-500-300)

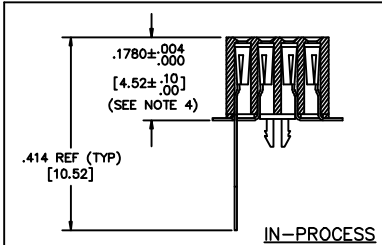
**OPTION**  
-LC: LOCKING CLIP (SEE FIGURE 1)  
-LCR: LOCKING CLIP REVERSED (SEE FIG 2, SHT 2)

**BODY SPECIFICATION**  
-Q: 4 ROW

**PLATING SPECIFICATION**  
-S: SELECTIVE, .000030 GOLD ON POST WITH TIN ON TAIL  
-H: HEAVY GOLD, .000030 GOLD ON POST FLASH GOLD ON TAILS  
-SM: SELECTIVE, .000030 GOLD ON POST/MATTE TIN TAILS  
-L: LIGHT SELECTIVE, .00010 GOLD ON POST, MATTE TIN TAILS



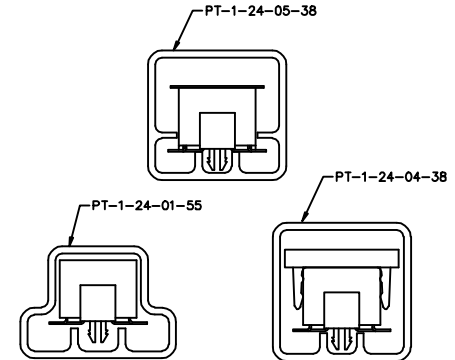
- NOTES:
1. PARTS TO BE PACKAGED IN TUBES.
  2. ROW TO ROW DIMENSION MUST BE WITHIN .002 OF EACH OTHER
  3. (C) REPRESENTS A CRITICAL DIMENSION
  4. MEASURE AT THE BEND, NOT AT THE TIP OF THE CONTACT
  5. THIS DIMENSION TO BE MEASURED FROM TAIL TO LC.



MATERIAL:  
INSULATOR:  
BLACK LIQUID CRYSTAL POLYMER

TERMINAL:  
BeCu

OPTION	PACKAGING TUBE	PLUG
-LC, -LCR	PT-1-24-01-55	TP-24
-P, -P-LC, -P-LCR	PT-1-24-04-38	TP-03
-K, -K-LC, -K-LCR	PT-1-24-05-38	TP-03



PACKAGING VIEW  
SCALE .75

**PROPRIETARY NOTE**  
THIS DOCUMENT CONTAINS INFORMATION CONFIDENTIAL AND PROPRIETARY TO SAMTEC INC. AND SHALL NOT BE REPRODUCED OR TRANSMITTED TO OTHER DOCUMENTS OR DISCLOSED TO OTHERS OR USED FOR ANY PURPOSE OTHER THAN THAT FOR WHICH IT WAS OBTAINED WITHOUT THE EXPRESSED WRITTEN CONSENT OF SAMTEC INC.

EXISPROD\ASSEMBLY\050 FOLC-SM

**samtec**

520 PARK EAST BLVD. NEW ALBANY, INDIANA 47150  
PHONE (812) 944-6733 P.O. BOX 1147  
CODE 55322

MADE BY: GREG REIDINGER 3-29-93 FOLC-1XX-X2-XX-Q-XXX-XX SHEET 1 OF 2

PLOT SCALE 1=2

## X-ON Electronics

Largest Supplier of Electrical and Electronic Components

*Click to view similar products for [Board to Board & Mezzanine Connectors](#) category:*

*Click to view products by [Samtec](#) manufacturer:*

Other Similar products are found below :

[10135583-642402LF](#) [89885-310LF](#) [589158040000018](#) [6-1393048-0](#) [68683-613](#) [MDF7-12DP-2.54DSA](#) [MDF7-18P-2.54DSA\(01\)](#) [MDF7-20DP-2.54DSA](#) [MDF7-26D-2.54DSA\(55\)](#) [MDF7-3P-2.54DSA\(01\)](#) [MDF7B-3P-2.54DSA\(55\)](#) [MDF7C-11P-2.54DSA\(55\)](#) [MDF7C-18P-2.54DSA\(55\)](#) [MDF7C-5P-2.54DSA\(01\)](#) [MDF7P-5P-2.54DSA\(55\)](#) [75234-0516](#) [FCN-230C068-11](#) [FCN-268F012-G/BD](#) [FCN-268F036-G/BD](#) [FCN-268M012-G/0D](#) [FCN-268M024-G/1D](#) [FCN-360C008-C](#) [FCN-360C040-C](#) [FCN-723J004/1](#) [MIS-048-01-F-D-DP-K](#) [832-10-034-10-001000](#) [93696-325LF](#) [11828-1FA](#) [AXK630345P](#) [18097-0013](#) [ICA-328STT](#) [2007042-2](#) [304400-2](#) [FCN-214Q030-G/0](#) [FCN-215Q040-G/0](#) [FCN-230C068-ESA](#) [FCN-234P048-G/0](#) [FCN-235D050-G/C](#) [FCN-360A3](#) [FCN-360C040-B](#) [210-93-314-41-105000](#) [2-22603-0](#) [379-064-521-202](#) [MDF7-12P-2.54DSA\(01\)](#) [MDF7-16P-2.54DS\(56\)](#) [MDF7-40DP-2.54DSA\(55\)](#) [MDF7-8P-2.54DSA\(55\)](#) [MDF7B-16P-2.54DSA\(55\)](#) [AXG720047](#) [5031084030](#)