
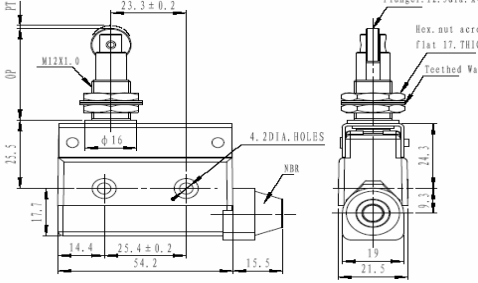

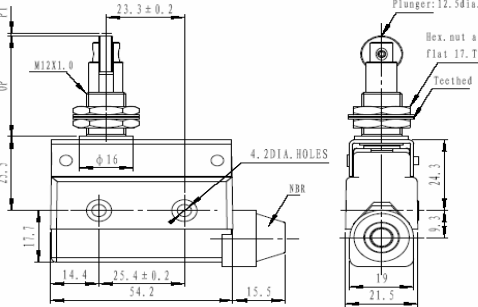

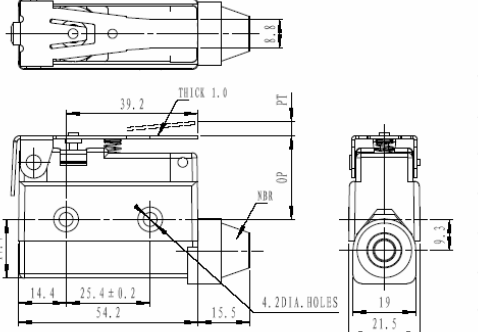

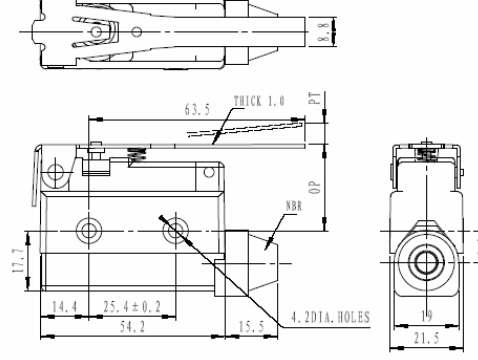


SL Series Limit Switch


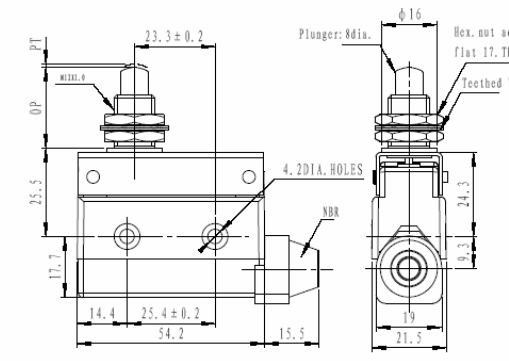

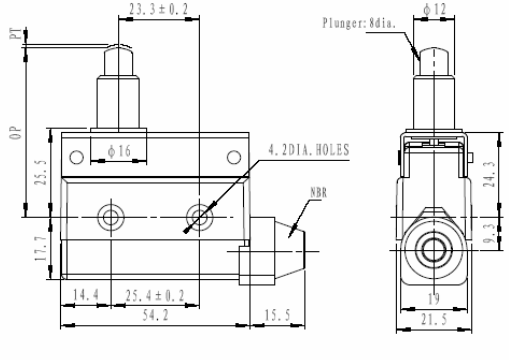

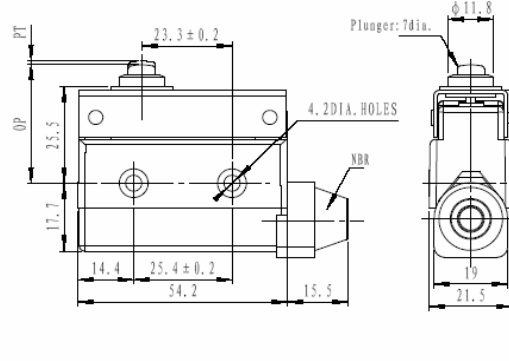

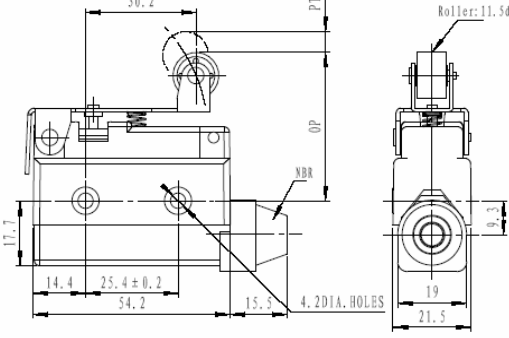


Dimensions and Operating Characteristics

<p><SL-A></p> 	 <p>Plunger: 12.5dia. X4 Hex. nut across Flat 17. THICK 3 Toothed Washer</p>	<p>动作特性</p> <ul style="list-style-type: none"> ● OFmax 5.88N ● RFmin 0.98N ● PTmax 2.0mm ● OTmin 6.0mm ● MDmax 0.8mm ● FPmax 35.3mm ● OP 33.3 ± 1.2mm
<p><SL-A1></p> 	 <p>Plunger: 12.5dia. X4 Hex. nut across Flat 17. THICK 3 Toothed Washer</p>	<p>动作特性</p> <ul style="list-style-type: none"> ● OFmax 5.88N ● RFmin 0.98N ● PTmax 2.0mm ● OTmin 6.0mm ● MDmax 0.8mm ● FPmax 35.3mm ● OP 33.3 ± 1.2mm
<p><SL-B></p> 	 <p>Plunger: 12.5dia. X4 Hex. nut across Flat 17. THICK 3 Toothed Washer</p>	<p>动作特性</p> <ul style="list-style-type: none"> ● OFmax 2.16N ● RFmin 0.59N ● PTmax 8.5mm ● OTmin 2.5mm ● MDmax 2.0mm ● FPmax 33.5mm ● OP 25 ± 1.3mm
<p><SL-B1></p> 	 <p>Plunger: 12.5dia. X4 Hex. nut across Flat 17. THICK 3 Toothed Washer</p>	<p>动作特性</p> <ul style="list-style-type: none"> ● OFmax 1.47N ● RFmin 0.39N ● PTmax 13.5mm ● OTmin 4.0mm ● MDmax 3.2mm ● FPmax 38.5mm ● OP 25 ± 2.0mm

SL Series Limit Switch

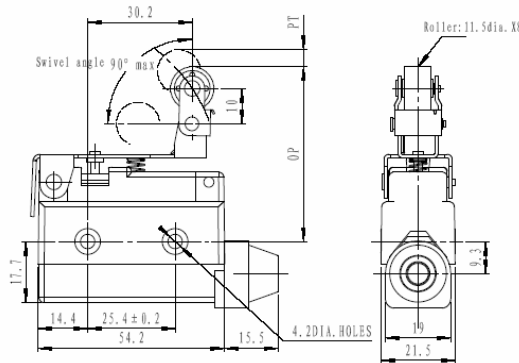


<p><SL-H></p> 		<p>动作特性</p> <ul style="list-style-type: none"> ● OFmax 5.88N ● RFmin 0.98N ● PTmax 2.0mm ● OTmin 6.0mm ● MDmax 0.8mm ● FPmax 23.8mm ● OP 21.8 ± 0.8mm
<p><SL-H1></p> 		<p>动作特性</p> <ul style="list-style-type: none"> ● OFmax 5.88N ● RFmin 0.98N ● PTmax 2.0mm ● OTmin 5.0mm ● MDmax 0.8mm ● FPmax 46mm ● OP 44 ± 1.2mm
<p><SL-H2></p> 		<p>动作特性</p> <ul style="list-style-type: none"> ● OFmax 5.88N ● RFmin 0.98N ● PTmax 2.0mm ● OTmin 0.8mm ● MDmax 0.8mm ● OP 30 ± 0.8mm
<p><SL-E></p> 		<p>动作特性</p> <ul style="list-style-type: none"> ● OFmax 2.35N ● RFmin 0.87N ● PTmax 6.5mm ● OTmin 2.0mm ● MDmax 1.5mm ● FPmax 46.5mm ● OP 40 ± 1.6mm

SL Series Limit Switch

Honeywell

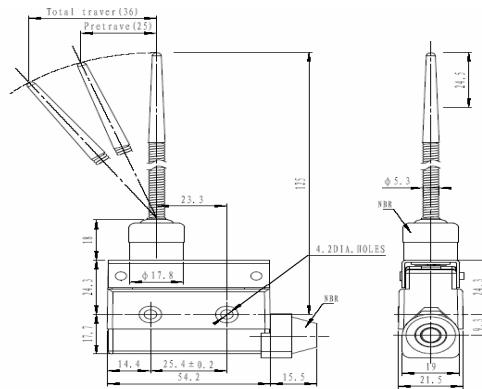
<SL-E1>



动作特性

- OFmax 2.75N
- RFmin 0.98N
- PTmax 6.5mm
- OTmin 2.0mm
- MDmax 1.5mm
- FPmax 56.5mm
- OP 50 ± 1.6mm

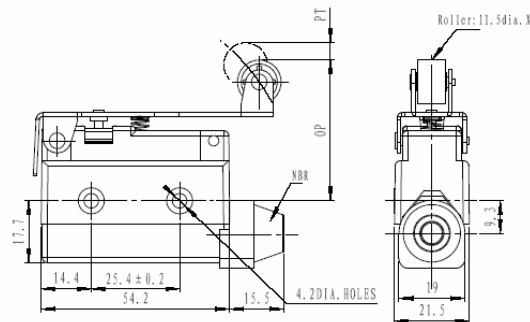
<SL-F>



动作特性

- OFmax 1.18N
- PTmax 25mm
- OTmin 11mm
- TTmax 36mm

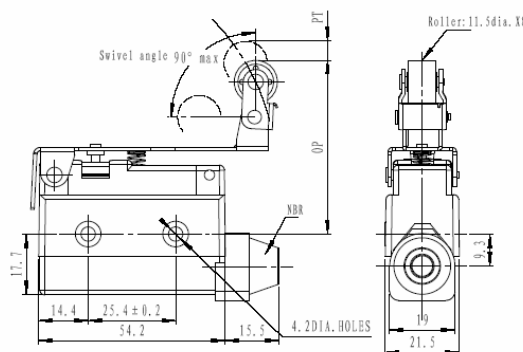
<SL-P>



动作特性

- OFmax 1.77N
- RFmin 0.49N
- PTmax 11.0mm
- OTmin 3.0mm
- MDmax 2.4mm
- FPmax 51.0mm
- OP 40 ± 1.9mm

<SL-P1>


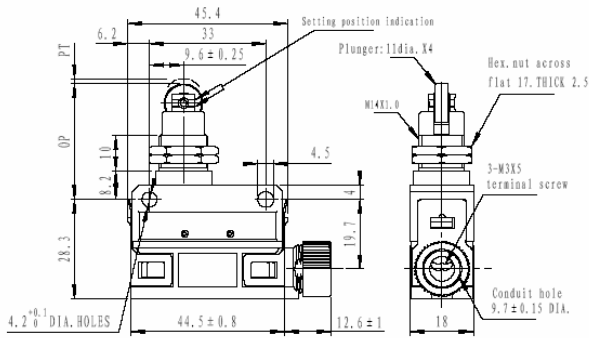

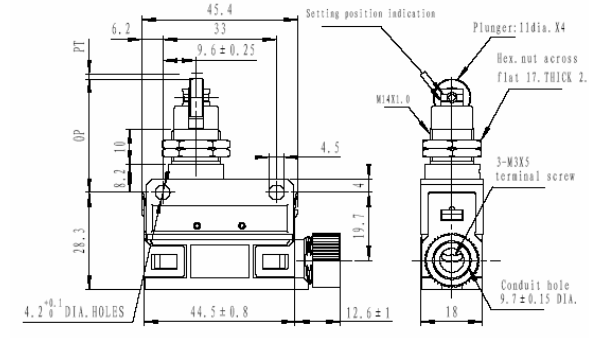

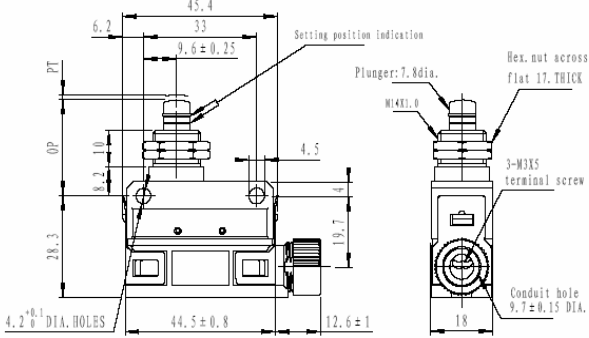

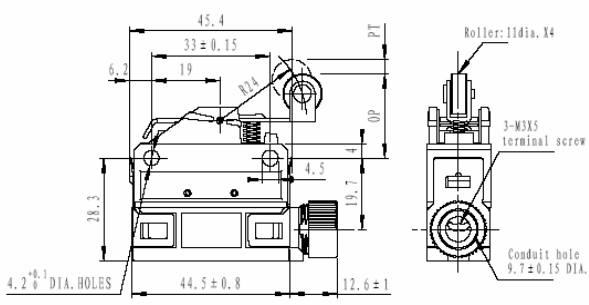


动作特性

- OFmax 2.16N
- RFmin 0.59N
- PTmax 11.0mm
- OTmin 3.0mm
- MDmax 2.4mm
- FPmax 61.0mm
- OP 50 ± 2.0mm

SL Series Limit Switch

Honeywell

<p><SLP-A></p> 	 <p>Setting position indication Plunger: 11dia. X4 Hex. nut across flat 17. THICK 2.5 M4X1.0 3-M3XS terminal screw Conduit hole 9.7±0.15 DIA. 18</p>	<p>动作特性</p> <ul style="list-style-type: none"> ● OFmax 11.8N ● RFmin 4.9N ● PTmax 1.5mm ● OTmin 3mm ● MDmax 0.1mm ● OP 31.4 ± 0.8mm
<p><SLP-A1></p> 	 <p>Setting position indication Plunger: 11dia. X4 Hex. nut across flat 17. THICK 2.5 M4X1.0 3-M3XS terminal screw Conduit hole 9.7±0.15 DIA. 18</p>	<p>动作特性</p> <ul style="list-style-type: none"> ● OFmax 11.8N ● RFmin 4.9N ● PTmax 1.5mm ● OTmin 3mm ● MDmax 0.1mm ● OP 31.4 ± 0.8mm
<p><SLP-H></p> 	 <p>Setting position indication Plunger: 7.8dia. Hex. nut across flat 17. THICK 2.5 M4X1.0 3-M3XS terminal screw Conduit hole 9.7±0.15 DIA. 18</p>	<p>动作特性</p> <ul style="list-style-type: none"> ● OFmax 11.8N ● RFmin 4.9N ● PTmax 1.5mm ● OTmin 3mm ● MDmax 0.1mm ● OP 25.4 ± 0.8mm
<p><SLP-E></p> 	 <p>Roller: 11dia. X4 3-M3XS terminal screw Conduit hole 9.7±0.15 DIA. 18</p>	<p>动作特性</p> <ul style="list-style-type: none"> ● OFmax 4.0N ● RFmin 0.78N ● PTmax 2mm ● OTmin 4mm ● MDmax 0.3mm ● OP 23.1 ± 0.8mm

X-ON Electronics

Largest Supplier of Electrical and Electronic Components

Click to view similar products for [Limit Switches](#) category:

Click to view products by [Honeywell](#) manufacturer:

Other Similar products are found below :

[6LS2-4PG](#) [5ML1-E1](#) [5ML31](#) [LZG1](#) [LZL1-6C](#) [622EN114-R](#) [622EN18-6](#) [622EN224-6B](#) [622EN230](#) [622EN237-R](#) [622EN69-3](#) [622EN85-RB](#)
[MA-10019](#) [6PA109](#) [7LS51](#) [83547001](#) [83725002](#) [83830001](#) [83840001](#) [83840701](#) [83841001](#) [83870104](#) [83881140](#) [8AS42](#) [8LS10](#) [8LS125-](#)
[4PG](#) [8LS152-4PGN20](#) [914CE16-3A](#) [914CE16-AQ](#) [914CE3-3L1](#) [915PA10](#) [91MCE16-P2O](#) [924CE16-Y3](#) [924CE1-S6](#) [924CE1-T25A](#)
[924CE1-T3](#) [924CE1-T9A](#) [924CE2-T9](#) [924CE31-Y20-X5](#) [924CE31-Y3L1](#) [GL-10054](#) [GL-85710](#) [GL-85714](#) [GLAB26J2B](#) [GLDB03C-6](#)
[GLZ324](#) [PS21R-NT11N7-YK0](#) [D4A-1106N](#) [D4A1201N](#) [D4A-3E02N](#)