

THIS DRAWING COVERS A PROPRIETARY ITEM AND IS THE PROPERTY OF MICRO SWITCH, A DIVISION OF HONEYWELL. THIS DRAWING IS NOT TO BE COPIED OR USED WITHOUT THE APPROVAL OF MICRO SWITCH.

CATALOG LISTING
6PA320-EN

PAGE 1 OF 1

REPLACES

RELEASE NO. PR-12830

M
ISSUE
4

CHECK

CHECK

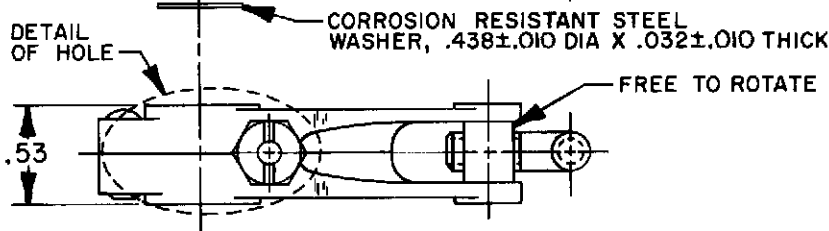
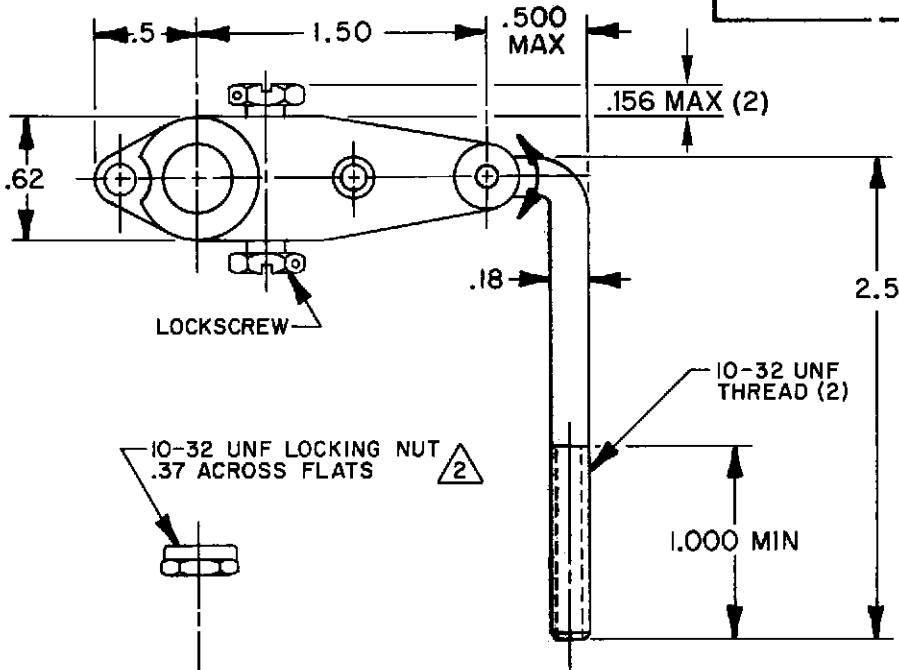
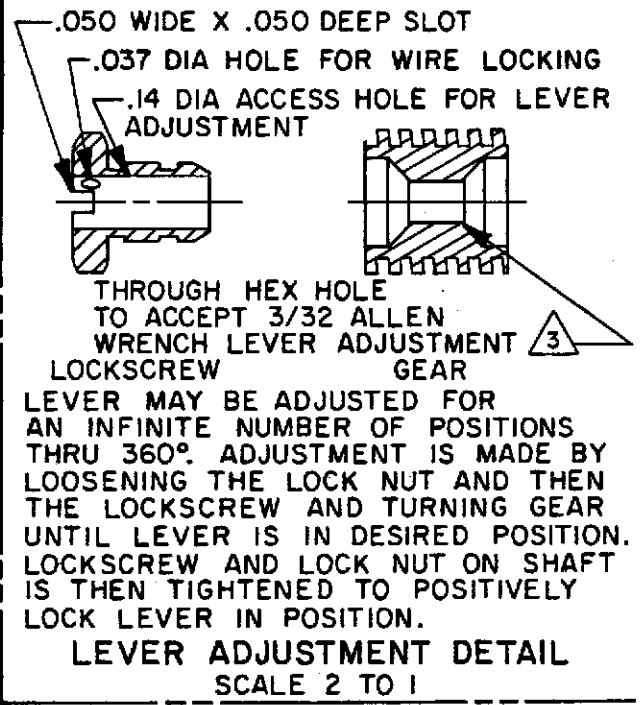
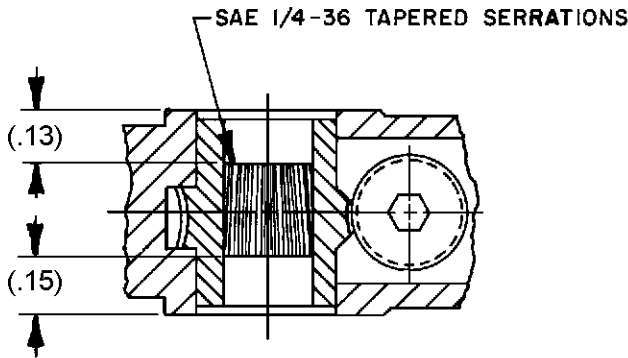
RJ

CHECK

TSM 18 MAR 97

REVISIONS

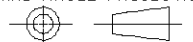
| | | | |
|---|---------|-----|-----------|
| A | C083307 | TSM | 18 MAR 97 |
| B | 206376 | CSL | 13 SEP 02 |
| C | 0017178 | KRB | 25 NOV 05 |



NOTES

- 1 - PARTS FURNISHED UNASSEMBLED IN BULK AS A PACKET
- 2 **DO NOT** APPLY MORE THAN 20-25 INCH-POUNDS OF TORQUE WHEN TIGHTENING LOCKING NUT
- 3 WORM GEAR TO TURN WITH 6 IN-LB MAX TORQUE WITH SCREWS LOCKED OUT TIGHT

THIRD ANGLE PROJECTION



| | | |
|-------|------|--------------------|
| SCALE | FULL | DO NOT SCALE PRINT |
|-------|------|--------------------|

UNLESS OTHERWISE SPECIFIED TOLERANCES ARE

| | | |
|-------------|--------|-------|
| ONE PLACE | (.0) | ±.030 |
| TWO PLACE | (.00) | ±.015 |
| THREE PLACE | (.000) | ±.005 |
| ANGLES | | ± |

WEIGHT

RASTER

DRAWN

X-ON Electronics

Largest Supplier of Electrical and Electronic Components

Click to view similar products for [Switch Hardware](#) category:

Click to view products by [Honeywell](#) manufacturer:

Other Similar products are found below :

[893102000](#) [LZZ1A](#) [0098.9234](#) [61-9707.7](#) [61-9771.0](#) [M2PA-5011](#) [635401](#) [6PA104](#) [6PA113](#) [6PA147-E6](#) [6PA148-E6](#) [6PA32](#) [6PA9](#) [700106](#)
[700109](#) [700201A56](#) [700303A56](#) [700701264](#) [700C1GRY](#) [700C2GRN](#) [704-6001](#) [704.960.4](#) [704.960.9](#) [704.965.1](#) [704.965.2](#) [704.965.6](#)
[704.966.0](#) [7089-3](#) [71M1048](#) [757200264](#) [778000A56](#) [79215938](#) [MHU35](#) [MHU37](#) [825.003.011](#) [825.005.011](#) [825.053.011](#) [825.055.011](#)
[826.000.071](#) [827.020.011](#) [827.400.021](#) [835.900.023](#) [MML52C10C](#) [MML52E10C](#) [MML72EEK](#) [MML92HGH](#) [MML93K](#) [84211M02CNNS](#)
[84211M02LGRS](#) [84211M02LNNX3](#)