

Rotary Wafer Switches

Index Mechanism Options



Rotary Wafer Switches can be supplied in many different combinations. We have detailed the most common of these on individual Technical Data Sheets.

This table outlines other possible configurations. Please contact us should further assistance be required.

Index Mechanisms						
	MU	UB	SL	HD	J	A
Indexing Angles	30, 36, 45, 60	10, 15, 20, 30, 45, 60	30, 36	30, 60, 90	30, 60	30
Indexing Type	Cam & Plunger	Cam & Plunger	Index Spring & Plunger	Cam & Roller	Ball & Spring	Double Ball & Spring
Torque	Light, Medium, Heavy	Medium, Heavy	Light	Medium, Heavy	Light	Light, Medium
Sealing	Available	Available	No	Available	Yes	Yes
Standard Rear Shaft	150mm max	150mm max	30mm max	150mm max	150mm max	100mm max
Wafer Type	MA, MK, MM, MSD	MK, MM, ML, MSD	MA	MK, MSD	MK, MSD	MA
Optional Features						
Adjustable Stops	Yes	No	Rear	Yes	Unsealed Only	Unsealed Only
Biasing	MA Only	No	No	Yes	No	Yes
Rear Shaft	Up to 250mm	Up to 250mm	150mm in Steel	Up to 250mm	Up to 250mm	180mm max
Indexing	-	-	-	Double Arm	-	-

Mechanisms illustrated below

Please Note: In line with continued development we reserve the right to amend specification without prior notice (Rev 01/12)

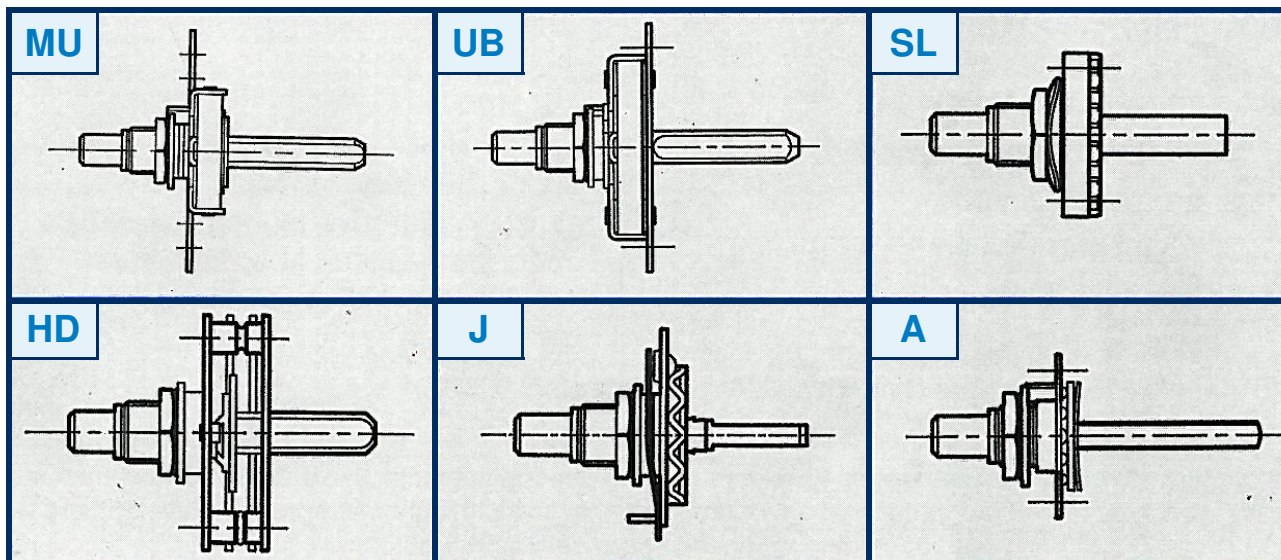
NSF Controls Ltd | Ingrow Bridge Works | Keighley | West Yorkshire | BD21 5EF | UK | Registered in England No. 3378269

T: +44 (0) 1535 661 144 | F: +44 (0) 1535 661 474 | E: info@nsfcontrols.co.uk | www.nsfcontrols.co.uk

Rotary Wafer Switches



Index Mechanisms



Please Note: In line with continued development we reserve the right to amend specification without prior notice (Rev 01/12)

NSF Controls Ltd | Ingrow Bridge Works | Keighley | West Yorkshire | BD21 5EF | UK | Registered in England No. 3378269

T: +44 (0) 1535 661 144 | F: +44 (0) 1535 661 474 | E: info@nsfcontrols.co.uk | www.nsfcontrols.co.uk

X-ON Electronics

Largest Supplier of Electrical and Electronic Components

Click to view similar products for [nsf \(controls\) manufacturer:](#)

Other Similar products are found below :

[MK112S 454633MK](#) [455771MA](#) [MU 454882FPA\(MA\)](#) [MU-MKD 454622FPA\(MK\)](#) [MA112S 454623MA](#) [MU 454883FPA\(MA\)](#)